

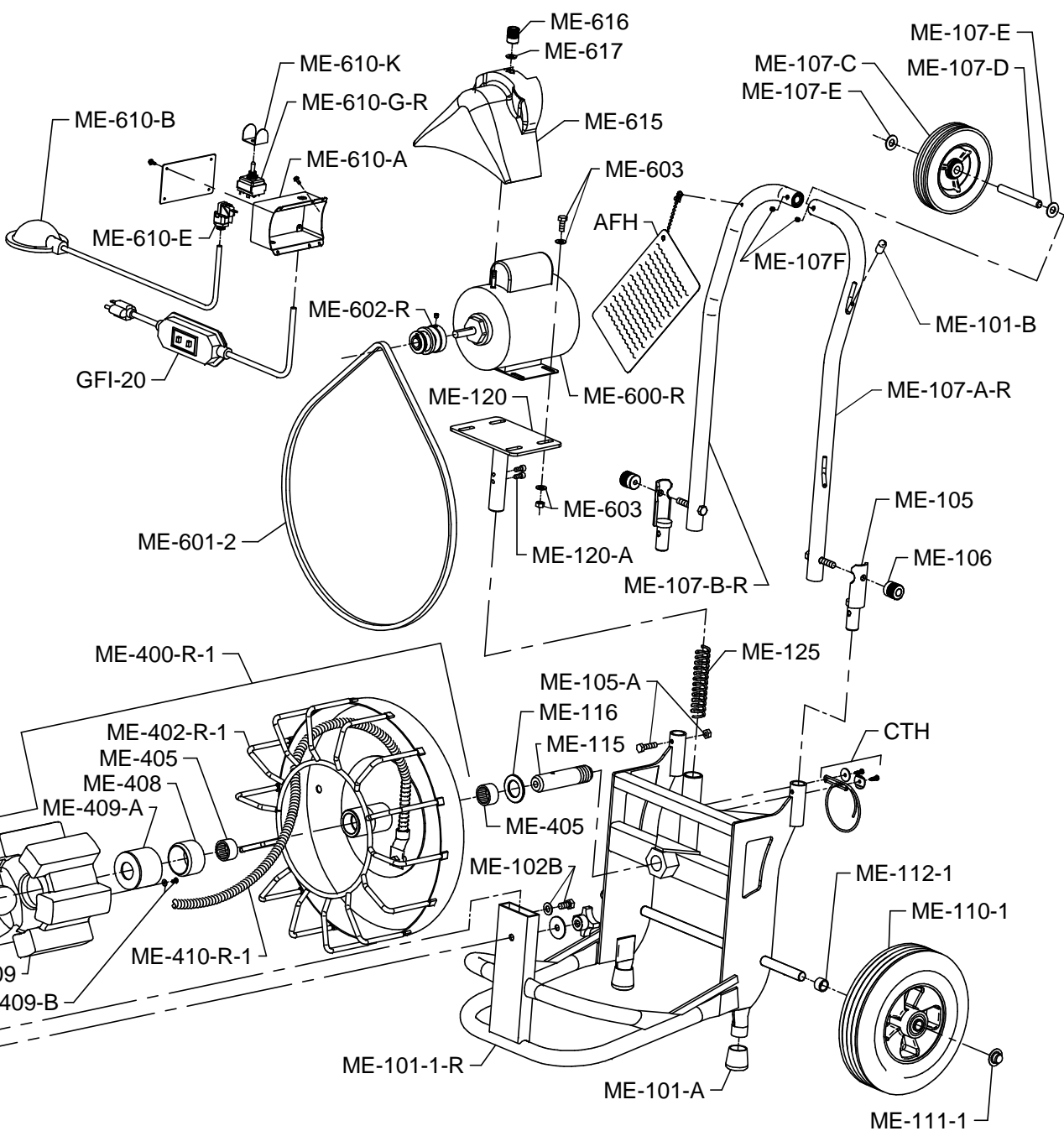
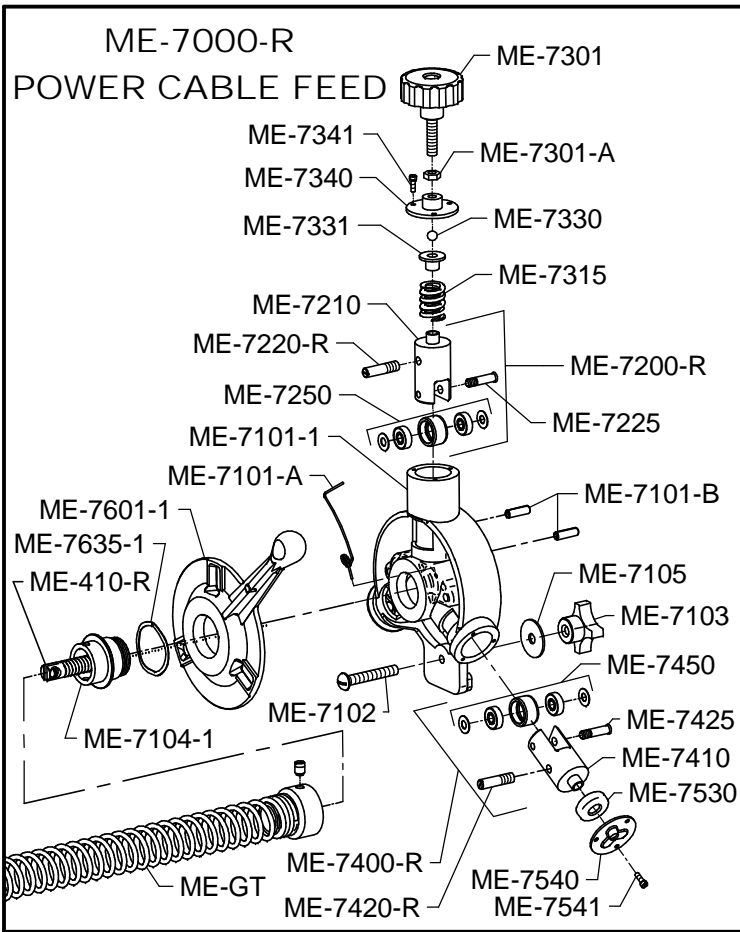
THE METRO PARTS LIST

PLEASE REFERENCE THE 6-DIGIT ITEM NUMBER FOR ALL PARTS PRICING AND ORDER REQUESTS.

ITEM NO.	CATALOG NO.	DESCRIPTION	ITEM NO.	CATALOG NO.	DESCRIPTION
166450	ME-100-1	Complete Frame w/ 5/8" Axle	166630	ME-601	V-Belt (55" for 1-1/2" Pulley)
166454	ME-100-2	Complete Frame w/ 5/8" Axle for Stair Climbers	166633	ME-601-2	V-Belt (56" for 2" Pulley and 16" Open Drum)
166453	ME-100-1-R	Complete Frame w/ 5/8" Axle	136190	ME-601-R	V-Belt (53")
166455	ME-101-1	Frame Only w/ 5/8" Axle	166635	ME-602	V-Belt Pulley (1-1/2" for 55" V-Belt)
166458	ME-101-2	Frame Only w/ 5/8" Axle for Stair Climbers	166637	ME-602-2	V-Belt Pulley (2" for 56" V-Belt)
166457	ME-101-1-R	Frame Only w/ 5/8" Axle	136180	ME-602-R	Slip Clutch
166460	ME-101-A	Rubber Leg Tips (2)	166640	ME-603	Motor Support Bolts, Nuts, Washers
166465	ME-101-B	Rubber Cord Wrap Tips	136000	GFI-20	20' Power Cord w/GFCI
136230	CTH	Tool Holder w/ Screws and Washers	166650	ME-610	Foot Switch & Reverse Switch Assembly
166475	ME-102	Distributor Tube Clamp	170910	ME-610-R	Foot Switch & Reverse Switch Assembly (Red Switch)
166480	ME-102-A	Clamp Locking Knob	166655	ME-610-A	Box Only w/Cover & Screws
166485	ME-102-B	Clamp Screws & Washers (2)	136170	ME-610-B	Foot Pedal & Hose
166476	ME-103	Stair Climber	166665	ME-610-C	Hose Clamp
166477	ME-103-A	Bolts, Nuts, Flat Washers, & Lock Washers (2)	136060	ME-610-D	Pedal Only
166478	ME-103-B	Plastic Spacers (2)	136080	ME-610-E	Power Switch Diaphragm
166487	ME-104	Guide Tube Holder	136050	ME-610-F	Air Hose
170670	ME-105	Hinge	136130	ME-610-G	Reverse Switch (3-Way)
166495	ME-105-A	Hinge Bolts & Nuts (2)	136210	ME-610-G-R	Momentary Contact Reverse Switch (Red)
166500	ME-106	Handle Locking Knobs (2)	166693	ME-610-K	Switch Guard
166505	ME-107	Handles	156395	ME-610-N	Strain Relief Nut
166507	ME-107-R	Handles	166700	ME-615	Belt Guard
166510	ME-107-A	Left Handle	166705	ME-616	Knob for Belt Guard
166513	ME-107-A-R	Left Handle	166701	ME-617	Belt Guard Washer
166515	ME-107-B	Right Handle	166420	ME-7000	Power Feed Cable Assembly
166517	ME-107-B-R	Right Handle	166423	ME-7000-R	Power Feed Cable Assembly
156075	ME-107-C	Handle Wheel	156355	ME-7101-1	Feed Body for One Piece Feed Control Disk
166525	ME-107-D	Handle Wheel Axle	156360	ME-7101-A	Lifting Spring
166530	ME-107-E	Felt Washers (2)	156363	ME-7101-B	Guide Pins (2)
166535	ME-107-F	Set Screws (2)	155012	ME-7102	Mounting Stud
156135	ME-110-1	10" Mag Wheel w/Cap	156370	ME-7103	Mounting Knob
166543	ME-111-1	10" Mag Wheel Retainer Cap (2)	155021	ME-7104-1	Spout for One Piece Feed Control Disk
166553	ME-112-1	10" Mag Wheel Spacer (2)	156380	ME-7105	Steel Washer
166555	ME-115	Drum Shaft	155026	ME-7200	Top Roller Assembly
166560	ME-116	Thrust Bearing	155025	ME-7200-R	Top Roller Assembly
166565	ME-120	Motor Support w/Bolts, Nuts, & Washers	155031	ME-7210	Top Carrier Only
166570	ME-120-A	Guide Screws (2)	155036	ME-7220	Top Swing Pin
166575	ME-125	Motor Support Spring	155105	ME-7220-R	Top Swing Pin
166580	ME-200	Flexitube Distributor Tube Assembly	155041	ME-7225	Feed Roller Shaft
166410	ME-400	Drum Complete	136110	PO-703	Set of Feed Rollers (3) Note: ONLY 1 pc comes w/ ME-7200-R
166413	ME-400-R	15" Open Drum Complete (OBSOLETE, Replace with ME-400-R-1 and ME-601-2)	155060	ME-7301	Feed Pressure Knob
166412	ME-400-R-1	16" Open Drum Complete	155062	ME-7301-A	Limiting Nut
166585	ME-402	Drum Shell	155066	ME-7315	Pressure Spring
166587	ME-402-R	15" Open Drum Shell (OBSOLETE, Replace with ME-402-R-1, ME-409, and ME-601-2)	155070	ME-7330	Ball Bearing
166588	ME-402-R-1	16" Open Drum Shell	155076	ME-7331	Ball Bearing Holder
166590	ME-405	Drum Bearings (2)	155080	ME-7340	Top Cover Plate
166595	ME-408	Drum Bushing	155085	ME-7341	Plate Screws (3)
166600	ME-409	Plastic Inner Drum Cage for 16" Closed & Open Drums	155091	ME-7400	Bottom Roller Assembly
170873	ME-409-A	Inner Drum Cage Bushing	155092	ME-7400-R	Bottom Roller Assembly
170874	ME-409-B	Screws & Washers (6)	155096	ME-7410	Bottom Carrier Only
166603	ME-409-R	Inner Drum Cage for 15" Open Drum	155100	ME-7420	Swing Pin
166605	ME-410	Drum Connecting Cable for 16" Closed Drum w/ Nut, Screws, & Lock Washer	155105	ME-7420-R	Swing Pin
166610	ME-410-A	Connecting Cable Nut, Screws, & Lock Washer	155106	ME-7425	Bottom Roller Shaft
166604	ME-410-R	Drum Connecting Cable for 15" Open Drum w/ Nut, Screw, & Lock Washer	136110	PO-703	Set of Feed Rollers (3) Note: ONLY 1 pc comes w/ ME-7400-R
166611	ME-410-A-R	Connecting Cable Nut, Screw, & Lock Washer	155130	ME-7530	Thrust Bearing
166607	ME-410-R-1	Drum Connecting Cable for 16" Open Drum w/ Nut, Screw, & Lock Washer	155135	ME-7540	Cable Adjustment Plate
166612	ME-410-A-R-1	Connecting Cable Nut, Screw, & Lock Washer	155140	ME-7541	Plate Screws (3)
166615	ME-425	Drum Retaining Bolt w/Grease Fitting	155150	ME-7601-1	Feed Control Disk (One Piece)
166620	ME-426	Retaining Washer	155195	ME-7635-1	Wave Washer for One Piece Feed Control Disk
166625	ME-427	Felt Washer	131340	CTB	Cutter Bag
166624	ME-428	High Collar Lock Washer	166430	ME-GT	Guide Tube for Metro Rooter
166440	ME-600	1/3 hp Capacitor Motor w/Foot Switch, Reverse Switch, & GFCI	146160	GTE	Guide Tube Extension
166445	ME-600-R	1/3 hp Capacitor Motor w/Foot Switch, Momentary Contact Reverse Switch, & GFCI	132210	ME-DECAL	Set of Safety Decals
			166710	ME-SCA	Stair Climber Assembly
			170990	AFH	Condensed Operating Instructions (Instructions w/Chain & Fittings, Connector, & Screw)
			166720	MEOI	Complete Operating Instructions
			130060	EJCS	Cutter Set for 9/16" Cables
			120960	75EM3A	Flexicore Cable, 9/16" x 75 ft. w/ Male & Female Conn.
			121090	100EM3	Flexicore Cable, 1/2" x 100 ft. w/ Male & Female Conn.

* -R" Indicates for rental machine only

THE METRO SCHEMATIC DIAGRAM



POWER CABLE FEED
SEE DETAIL

IMPORTANT: When ordering, give Serial Number of Machine.