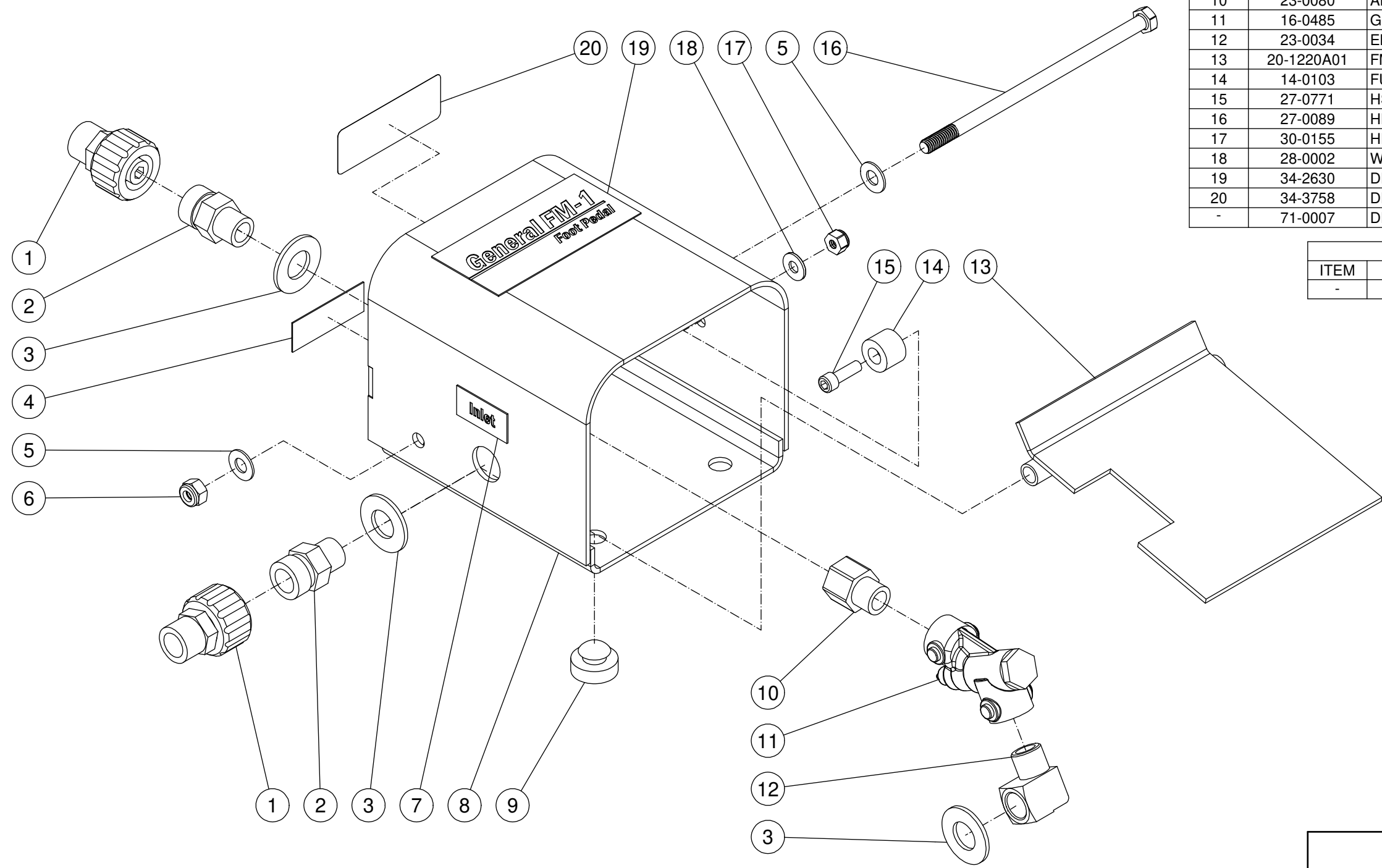


AW-4900-0001; FM-1  
 AW-4900-0003; FM-2

ITEM	PART #	DESCRIPTION	UNIT	P/L	R/Q	QTY
1	23-0490	3/8" FNPT X M22 SCREW COUPLER				2
2	23-0493	3/8" MNPT X M22 SCREW NIPPLE				2
3	28-0008	WASHER-ZI SAE TYPE A 5/8"				3
4	34-2628	DECAL - DISCHARGE		N/A	X	1
5	28-0003	WASHER-ZI SAE TYPE A 5/16"				2
6	30-0157	HEX NYLON LOCKNUT-ZINC 5/16-18				1
7	34-2629	DECAL - INLET		N/A	X	1
8	20-1219A64	FOOT PEDAL COVER	AW-4900-0001			1
-	20-1219A31	FOOT PEDAL COVER	AW-4900-0003			1
9	14-0123	RUBBER ISOLATOR				4
10	23-0080	ADAPTER 3/8M X 3/8F BRASS				1
11	16-0485	GUN INSERT 3/8" NPT				1
12	23-0034	ELBOW 3/8M X 3/8F 90 STR BRASS				1
13	20-1220A01	FM1 - PEDAL				1
14	14-0103	FUEL TANK ISOLATOR				1
15	27-0771	HSHCS-ZI 1/4-20 X 3/4				1
16	27-0089	HHCS-ZI GR5 5/16-18 X 6 1/2				1
17	30-0155	HEX NYLON LOCKNUT-ZINC 1/4-20				1
18	28-0002	WASHER-ZI SAE TYPE A 1/4"				1
19	34-2630	DECAL - FM-1 FOOT PEDAL	AW-4900-0001	N/A	X	1
20	34-3758	DECAL - PROP 65 COLOR		N/A		1
-	71-0007	DECAL SET - FM-1				1



BOXING:			
ITEM	PART #	DESCRIPTION	QTY
-	41-0039	CARTON 9-1/8 X 6 X 10 (PARTS)	1

SCALE: NTS	DATE: 2/14/19	DRAWING SIZE: B	APP'D:	DRAWN BY: JRC
<b>AW-4900-0001_0003 - FOOT PEDAL ASSEMBLY</b>				
DRAWING/PART NO: AW-4900-0001				