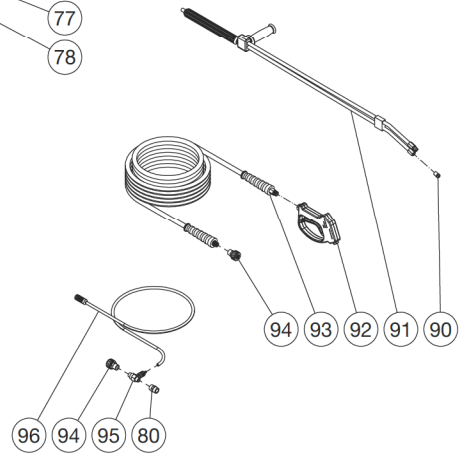
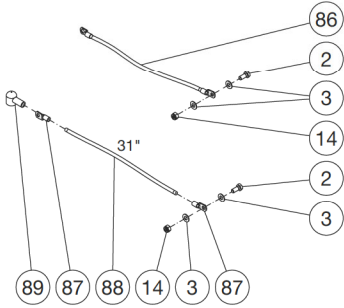
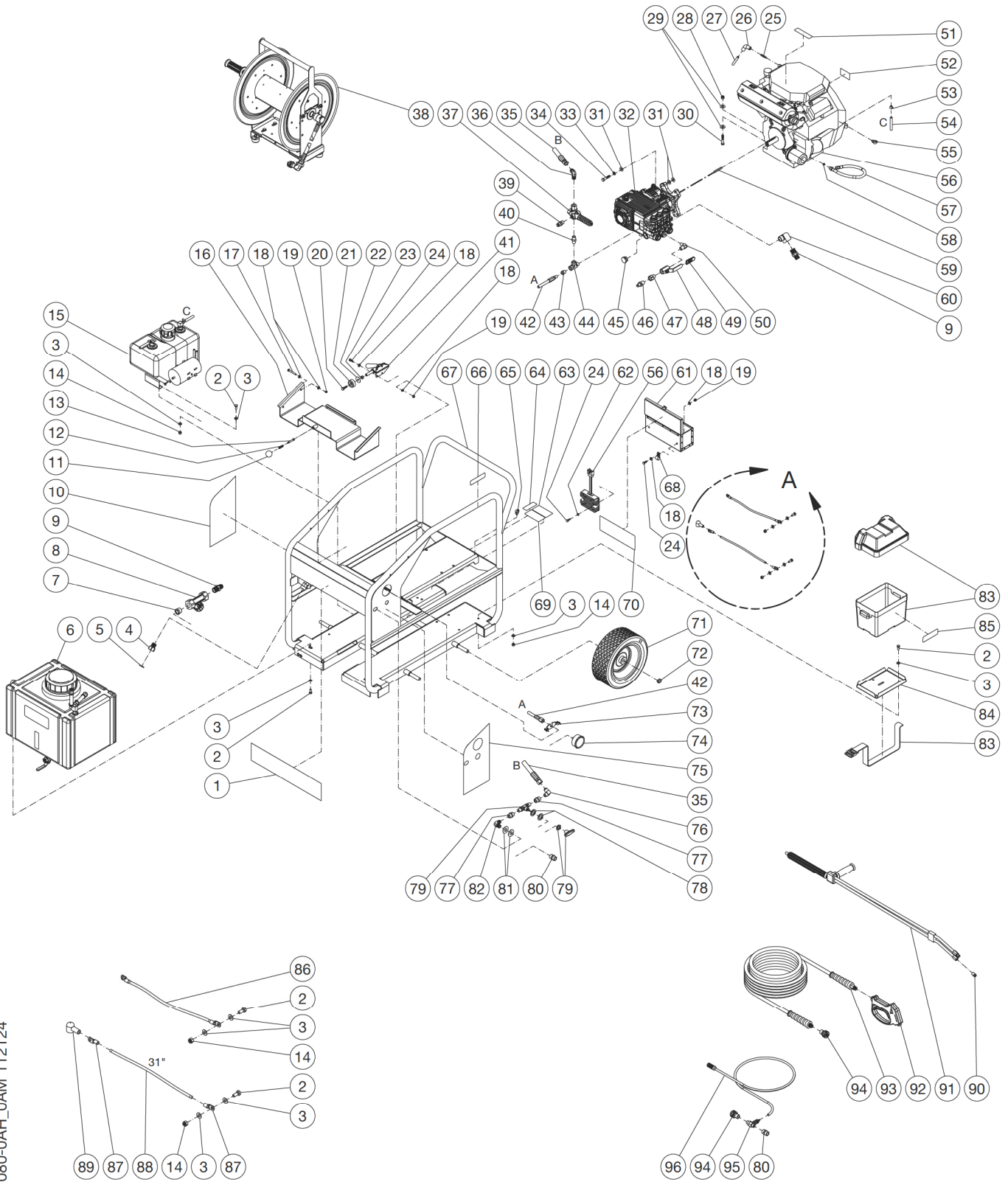


UNIT ASSEMBLY

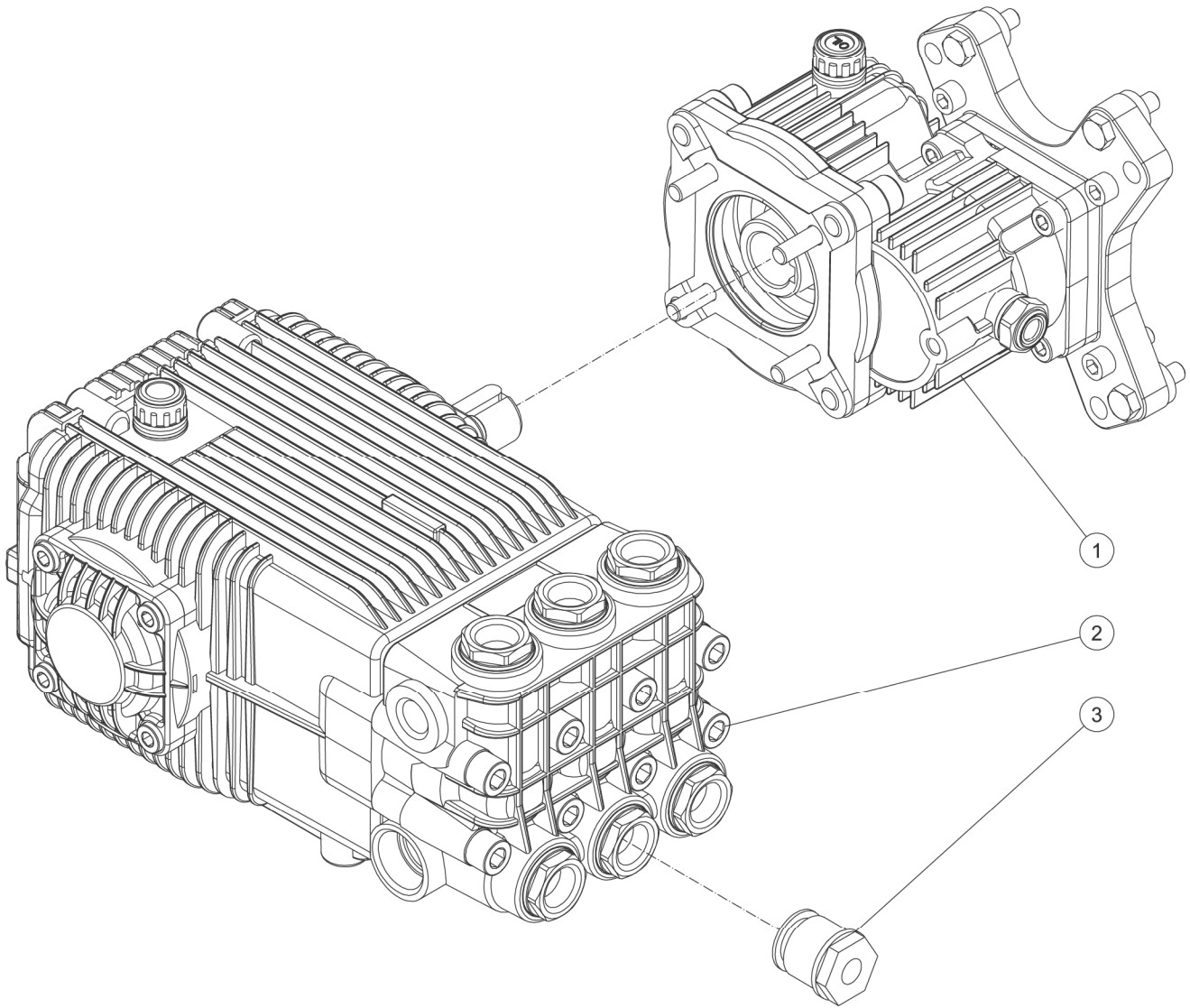


JM-3080-OAH_OAM 112124

UNIT ASSEMBLY							
ITEM	DESCRIPTION	PART #	QTY	ITEM	DESCRIPTION	PART #	QTY
1	DECAL - JM-3080 FRONT PANEL (SEE JM71-0004)	N/A	1	49	HANDLE GRIP	JM7-0227	1
2	BOLT	JM27-0066	10	50	ELBOW	JM24-0118	1
3	WASHER (0AH)	JM28-0003	18	51	DECAL - RISK OF BURNS (SEE JM71-0004)	N/A	1
-	WASHER (0AM)	JM28-0003	26	52	DECAL - 670CC REWIND GPC (0AM)	N/A	1
4	SWIVEL	JM23-0095	1	53	CLAMP WORM	JM42-0004	1
5	GARDEN HOSE GASKET	JM26-0001	1	54	FUEL HOSE *(THREE FEET REQUIRED) (0AH)	JM15-0008	1
6	WATER TANK ASSEMBLY	N/A	1	-	FUEL HOSE *(FOUR FEET REQUIRED) (0AM)	JM15-0008	1
7	BUSHING	JM23-0023	1	55	HOSE CLAMP (0AM)	JM33-0510	1
8	INLET FILTER	JM19-0238	1	56	ENGINE ASSEMBLY (0AM)	JM851-0443	1
9	NIPPLE	JM23-0362	2	-	ENGINE - MITM (0AM)	JM1-0264	1
10	DECAL - JM-3080 SIDE PANEL (SEE JM71-0004)	N/A	1	57	OIL DRAIN HOSE (0AM)	JM70-0358	1
11	BALL KNOB	JM7-0223	1	58	O-RING (0AM)	JM25-0259	1
12	SPRING	JM49-0165	1	59	KEY	JM43-0078	1
13	SHOULDER SCREW	JM27-0895	1	60	ELBOW	JM23-0081	1
14	LOCKNUT	JM30-0157	8	61	COMPONENT TOOL BOX	JM20-1213A64	1
15	FUEL TANK ASSEMBLY	N/A	1	62	LOCKWASHER (0AH)	JM29-0006	2
16	HOSE REEL BRACKET ASSEMBLY	JM20-1275A64	1	63	DECAL - SILVER STICKER	N/A	1
17	BOLT	JM27-0020	4	64	DECAL - PROP 65	N/A	1
18	WASHER	JM28-0002	16	65	HOSE CLAMP (0AH)	JM33-0510	1
19	LOCKNUT	JM30-0155	8	66	DECAL - WARNING RISK OF BURNS (SEE JM71-0004)	N/A	1
20	BOLT	JM27-0067	1	67	FRAME - LG JETTER	JM5-0307A64	1
21	ISOLATOR	JM14-0174	1	68	HOSE CLIP	JM33-0517	1
22	WASHER	JM28-0057	1	69	DECAL - EPA ONLY	N/A	1
23	NUT	JM30-0004	1	70	DECAL - WARNING/OPERATION (SEE JM71-0004)	N/A	1
24	BOLT(0AH)	JM27-0015	6	71	WHEEL	JM14-0150	4
-	BOLT (0AM)	JM27-0015	4	72	LOCKNUT	JM30-0117	4
25	HOSE BARB (0AM)	JM55-0680	1	73	U CLAMP	JM13-0211	1
26	AIR CLEANER ADAPTER (0AH)	JM62-0229	1	74	PRESSURE GAUGE	JM22-0465	1
27	FUEL HOSE *(THREE FEET REQUIRED)	JM15-0261	1	75	DECAL - JM-3080 CONTROL PANEL (SEE JM71-0004)	N/A	1
28	LOCKNUT	JM30-0159	4	76	ELBOW	JM23-0426	1
29	WASHER	JM28-0023	8	77	COUPLER	JM23-0077	2
30	BOLT	JM27-0121	4	78	WASHER	JM28-0051	2
32	PUMP - JM3-0300 W/GEARBOX	JM3-0368	1	79	BALL VALVE	JM22-0462	1
31	WASHER	JM28-0022	12	80	SCREW NIPPLE	JM23-0494	2
33	LOCKWASHER	JM29-0008	4	81	WASHER	JM28-0050	4
34	BOLT (0AM)	JM27-0120	4	82	ELBOW	JM24-0131	1
-	BOLT (0AH)	JM27-0119	4	83	BATTERY BOX	JM33-0082	1
35	HIGH PRESSURE HOSE	JM15-0254	1	84	BATTERY RETAINER	JM20-0264A18	1
36	ELBOW	JM24-0092	1	85	DECAL - RISK OF INJURY (SEE JM71-0004)	N/A	1
37	UNLOADER	JM8-0634	1	86	CABLE	JM32-9113	1
38	HOSE REEL	JM851-0390	1	87	TERMINAL RING	JM32-0097	2
39	NIPPLE	JM23-0259	1	88	CABLE *(THREE FEET REQUIRED)	JM32-0065	1
40	NIPPLE	JM24-0010	1	89	TERMINAL PROTECTOR	JM33-0508	1
41	PUSH/PULL TOGGLE CLAMP	JM33-0400	1	90	NOZZLE	JM18-0173	1
42	HIGH PRESSURE HOSE	JM15-0310	1	91	DUAL LANCE	JM16-0417	1
43	REDUCER	JM23-0017	1	92	GUN	JM16-0446	1
44	STREET TEE	JM23-0058	1	93	HOSE	JM15-0146	1
45	PLUG	JM39-0243	1	94	SCREW COUPLER	JM23-0490	2
46	NIPPLE	JM23-0361	1	95	CHEMICAL INJECTOR	JM50-0052	1
47	REDUCER	JM23-0243	1	96	DETERGENT HOSE	JM19-0233	1
48	BALL VALVE	JM22-0494	1	-	DECAL SET - JM-3080-0AH	JM71-0004	1

*MUST ORDER IN ONE FOOT LENGTHS

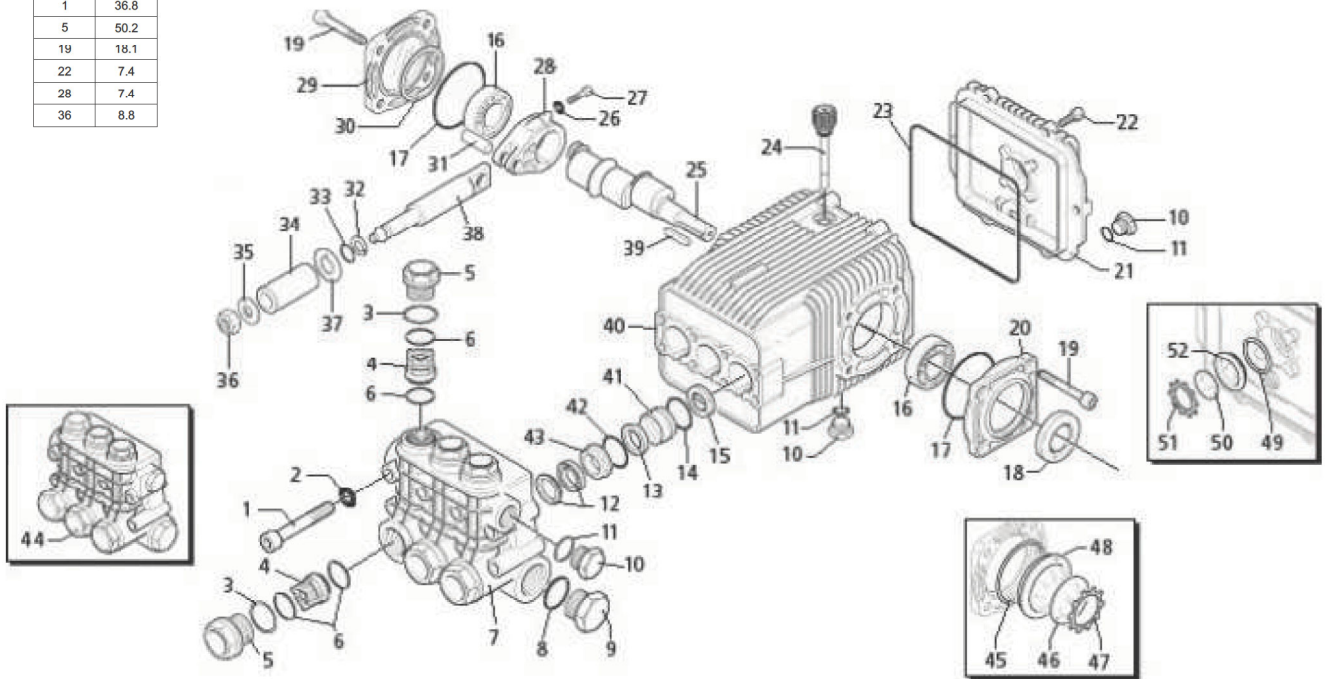
PUMP/GEARBOX ASSEMBLY



3-0368 051811_T AJH			
PUMP / GEARBOX			
ITEM	DESCRIPTION	Mi-T-M #	QTY
1	GEARBOX	JM47-0031	1
2	PUMP	JM3-0300	1
3	VALVE CAP	JM46-1430	1

PUMP ASSEMBLY

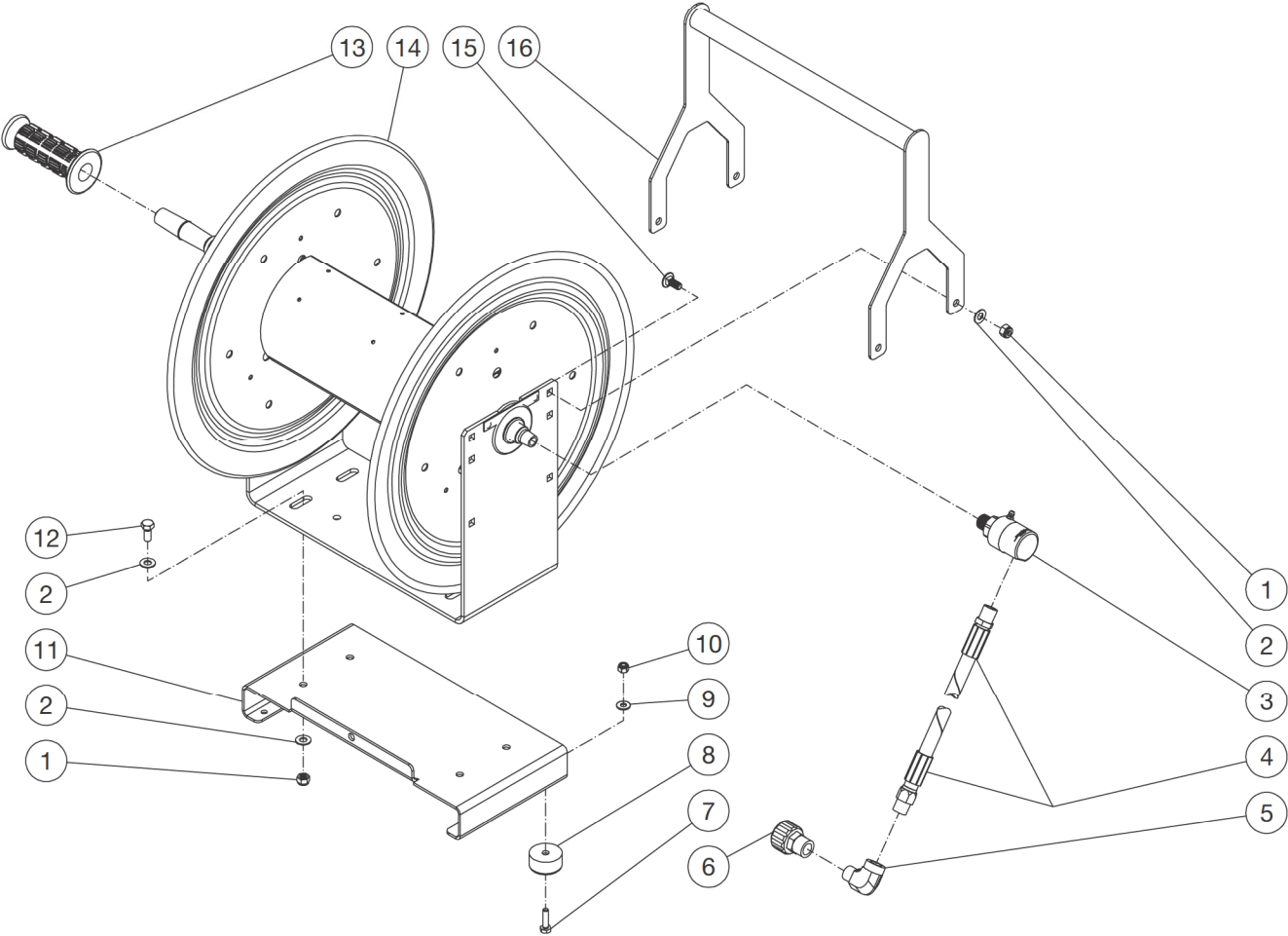
TORQUE SPECS	
ITEM	FT/LBS
1	36.8
5	50.2
19	18.1
22	7.4
28	7.4
36	8.8



PUMP ASSEMBLY							
ITEM	DESCRIPTION	Mi-T-M #	QTY	ITEM	DESCRIPTION	Mi-T-M #	QTY
1	HEAD BOLT	JM27-8470	8	29	SIDE COVER W/ SIGHT GLASS	JM46-0918	1
2	WASHER	JM29-0155	8	30	SHIM 0.05MM	JM46-0947	1-3
3	O-RING	JM25-0647	6	-	SHIM 0.10MM	JM46-0948	1-3
4	COMPLETE VALVE (SEE KIT JM70-0584)	SEE KIT	6	-	SHIM 0.19MM	JM46-0949	1-3
5	VALVE CAP	JM39-0242	6	-	SHIM 0.25MM	JM46-0950	1-3
6	O-RING (SEE KIT JM70-0584)	JM25-0370	12	31	PISTON PIN	JM46-0914	3
7	PUMP HEAD - BRASS	JM46-1463	1	32	BACK-UP RING (SEE KIT JM70-0589)	SEE KIT	3
8	O-RING	JM25-0648	1	33	O-RING (SEE KIT JM70-0589)	JM25-0393	3
9	PLUG - 3/4"	JM39-0243	1	34	PISTON (SEE KIT JM70-0589)	JM46-1581	3
10	PLUG - 3/8"	JM39-0203	3	35	WASHER - COPPER (SEE KIT JM70-0589)	JM46-1585	3
11	O-RING	JM25-0510	3	36	NUT (SEE KIT JM70-0589)	SEE KIT	3
12	HIGH PRESS PACKING W/ RING (SEE KIT JM70-0585)	JM46-1578	3	37	SLINGER (SEE KIT JM70-0589)	JM28-1065	3
13	LOW PRESS SEAL (SEE KIT JM70-0585)	JM46-1579	3	38	GUIDING PISTON	JM46-1464	3
14	O-RING (SEE KIT JM70-0585)	JM25-0511	3	39	KEY	JM43-0091	1
15	OIL SEAL (SEE KIT JM70-0586)	JM26-0242	3	40	PUMP HOUSING	JM46-0911	1
16	BEARING TAPERED ROLLER	JM48-0073	2	41	REAR PISTON GUIDE(SEE KIT JM70-0587)	JM46-1582	3
17	O-RING (SEE KIT JM70-0586)	JM25-0512	2	42	SLIT O-RING (SEE KIT JM70-0585)	JM25-0680	3
18	OIL SEAL (SEE KIT JM70-0586)	JM26-0243	1	43	FRONT PISTON GUIDE (SEE KIT JM70-0587)	JM46-1583	3
19	BOLT	JM27-8884	8	44	COMPLETE PUMP HEAD	JM46-1584	1
20	OPEN BEARING SUPPORT	JM46-0909	1	45	O-RING	JM25-0514	1
21	COMPLETE COVER	JM46-0912	1	46	CONTRAST DISC	JM46-0925	1
22	BOLT	JM27-8888	6	47	SPRING RETAINER - OIL SIGHT GLASS	JM46-0924	1
23	O-RING (SEE KIT JM70-0586)	JM25-0513	1	48	OIL SIGHT GLASS	JM46-0926	1
24	VENTED OIL CAP - 3/8"	JM39-0204	1	49	O-RING	JM25-0370	1
25	CRANKSHAFT	JM46-1580	1	50	CONTRAST DISC	JM46-0824	1
26	LOCKWASHER	JM29-0153	6	51	SNAP RING	JM46-0671	1
27	CON-ROD BOLT	JM27-9003	6	52	OIL SIGHT GLASS	JM46-0670	1
28	CON-ROD	JM46-0913	3				

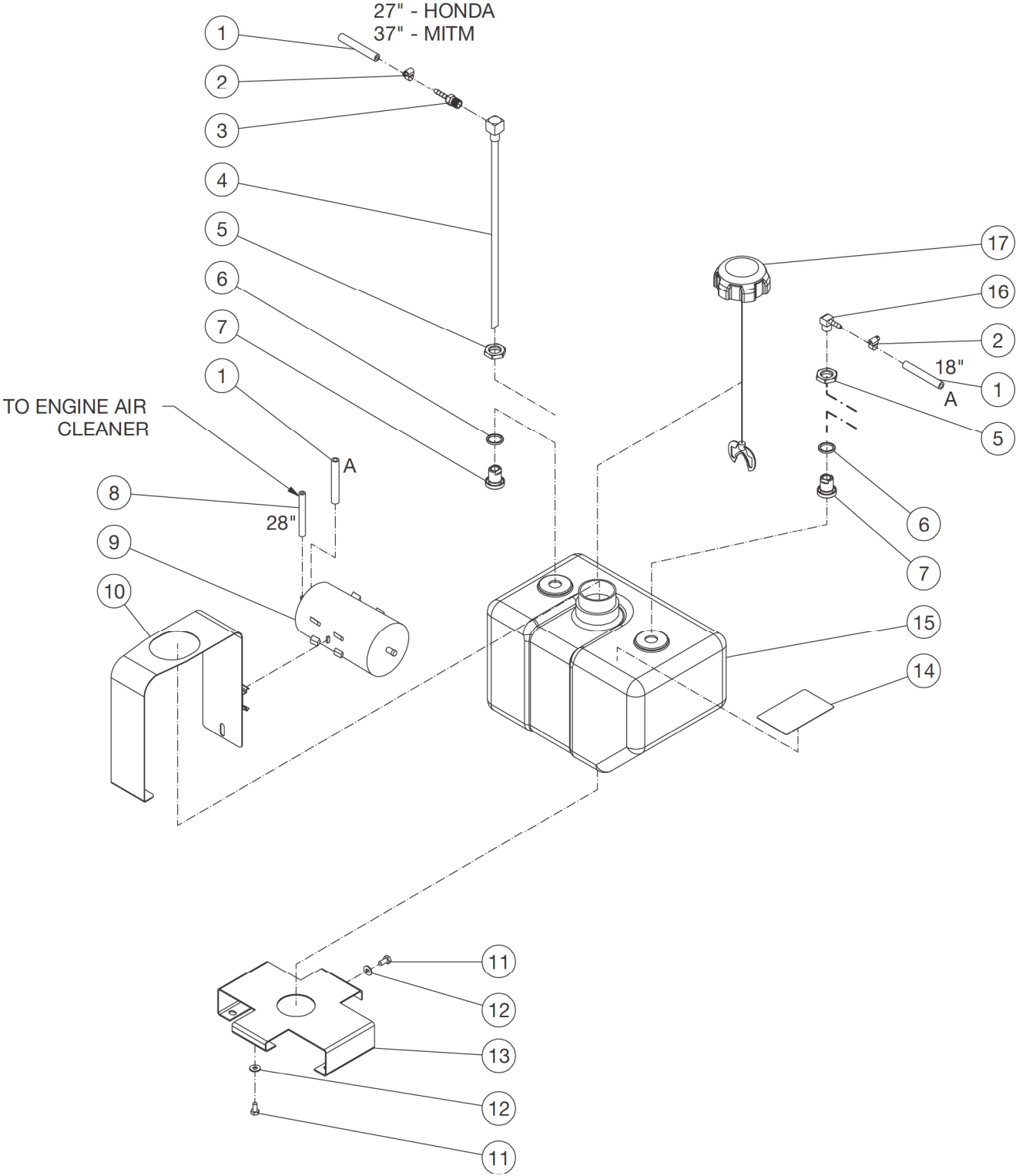
REPLACEMENT KITS				
Mi-T-M KIT #	DESCRIPTION	ITEMS	# OF ASSEMBLIES	# OF CYLINDERS
JM70-0584	VALVES	4,6	1	3
JM70-0585	WATER SEALS	12,13,14,42	1	3
JM70-0586	OIL SEALS	15,17,18,23	1	3
JM70-0587	PISTON GUIDES	41,43	1	3
JM70-0589	PISTONS	32,33,34,35,36,37	1	3

HOSE REEL ASSEMBLY



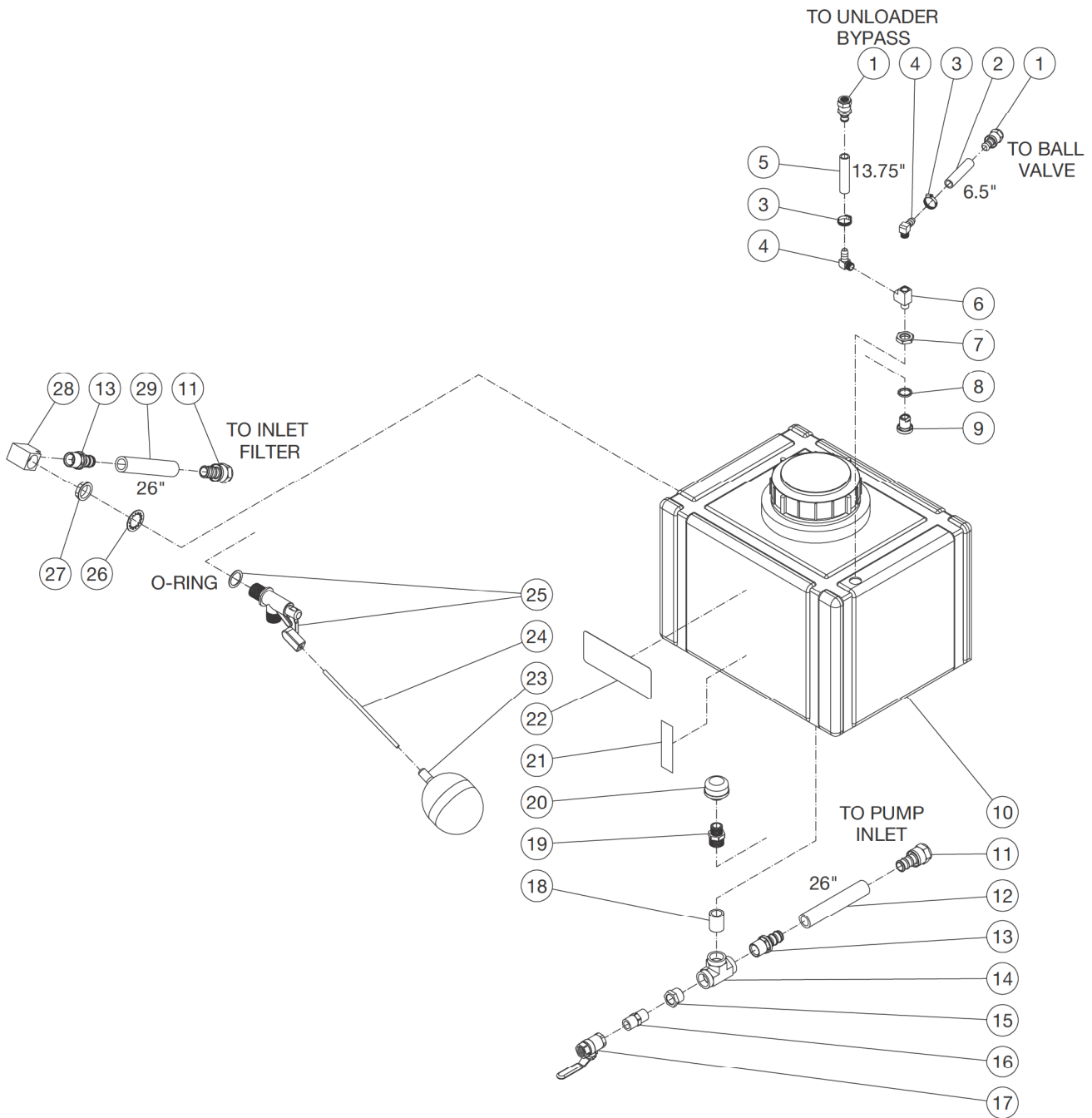
HOSE REEL ASSEMBLY			
ITEM	TITLE	PART #	QTY
1	LOCKNUT	JM30-0157	8
2	WASHER	JM28-0003	12
3	3/8" SWIVEL	JM24-0362	1
4	PRESSURE HOSE	JM15-0257	1
5	ELBOW	JM24-0105	1
6	SCREW COUPLER	JM23-0490	1
7	BOLT	JM27-0016	4
8	ISOLATOR	JM14-0069	4
9	WASHER	JM28-0002	4
10	LOCKNUT	JM30-0155	4
11	HOSE REEL STAND	JM20-1221A18	1
12	BOLT	JM27-0066	4
13	HANDLE GRIP	JM7-0059	1
14	HOSE REEL	JM50-0221	1
15	CARRIAGE BOLT	JM31-0046	4
16	HOSE REEL HANDLE	JM7-0273A18	1

FUEL TANK ASSEMBLY



FUEL TANK ASSY - JM-3080 102622			
FUEL TANK ASSEMBLY			
ITEM	TITLE	PART #	QTY
1	FUEL HOSE *(FOUR FEET REQUIRED) (0AH)	JM15-0008	1
-	FUEL HOSE *(FIVE FEET REQUIRED) (0AM)	JM15-0008	1
2	CLAMP WORM	JM42-0004	2
3	BARB	JM23-0051	1
4	FUEL PICK-UP	JM33-0352	1
5	NUT	JM23-0409	2
6	O-RING	JM25-0427	2
7	BULKHEAD FITTING	JM23-0408	2
8	FUEL HOSE *(THREE FEET REQUIRED)	JM15-0261	1
9	CARBON CANISTER	JM62-0210	1
10	STRAP - GAS TANK	JM20-1225A18	1
11	BOLT	JM27-0014	2
12	WASHER	JM28-0002	2
13	GAS TANK STAND	JM20-1224A18	1
14	DECAL- CAUTION: GASOLINE ONLY (SEE JM71-0004)	N/A	1
15	FUEL TANK	JM12-0233	1
16	ELBOW	JM23-0054	1
17	FUEL CAP - SEALED/TETHERED	JM12-0220	1
*MUST ORDER IN ONE FOOT LENGTHS			

WATER TANK ASSEMBLY



WATER TANK ASSY - JM-3080 013019			
WATER TANK ASSEMBLY			
ITEM	TITLE	PART #	QTY
1	HOSE BARB	JM23-0360	2
2	HOSE *(ONE FOOT REQUIRED)	JM15-0007	1
3	HOSE CLAMP	JM42-0011	2
4	ELBOW	JM23-0119	2
5	HOSE *(TWO FEET REQUIRED)	JM15-0007	1
6	TEE	JM23-0127	1
7	NUT	JM23-0409	1
8	O-RING	JM25-0427	1
9	BULKHEAD FITTING	JM23-0408	1
10	WATER TANK	JM12-0232	1
11	HOSE BARB	JM23-0358	2
12	HOSE *(THREE FEET REQUIRED)	JM15-0033	1
13	BARB	JM23-0008	2
14	TEE	JM24-0312	1
15	BUSHING	JM23-0023	1
16	NIPPLE	JM23-0012	1
17	BALL VALVE	JM22-0278	1
18	NIPPLE	JM23-0003	1
19	NIPPLE	JM23-0082	1
20	STRAINER	JM19-0203	1
21	DECAL - TANK DRAIN (SEE JM71-0004)	N/A	1
22	DECAL - TANK WARNING (SEE JM71-0004)	N/A	1
23	FLOAT	JM22-0059	1
24	BALL FLOAT STUD	JM31-3320	1
25	FLOAT VALVE	JM22-0317	1
26	LOCKWASHER	JM29-0074	1
27	LOCKNUT	JM23-0428	1
28	ELBOW	JM23-0391	1
29	HOSE *(THREE FEET REQUIRED)	JM15-0033	1
*MUST ORDER IN ONE FOOT LENGTHS			