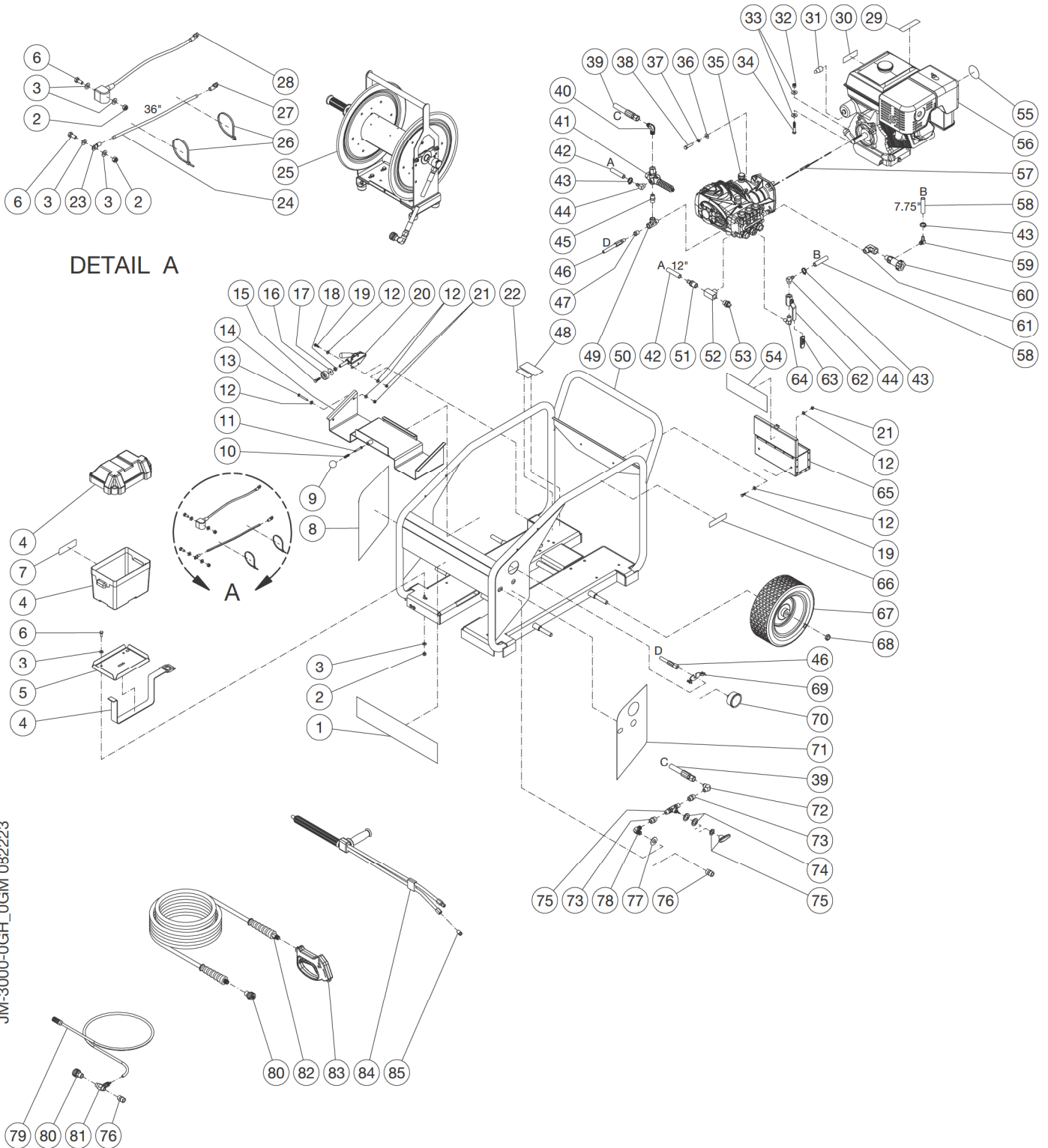


UNIT ASSEMBLY

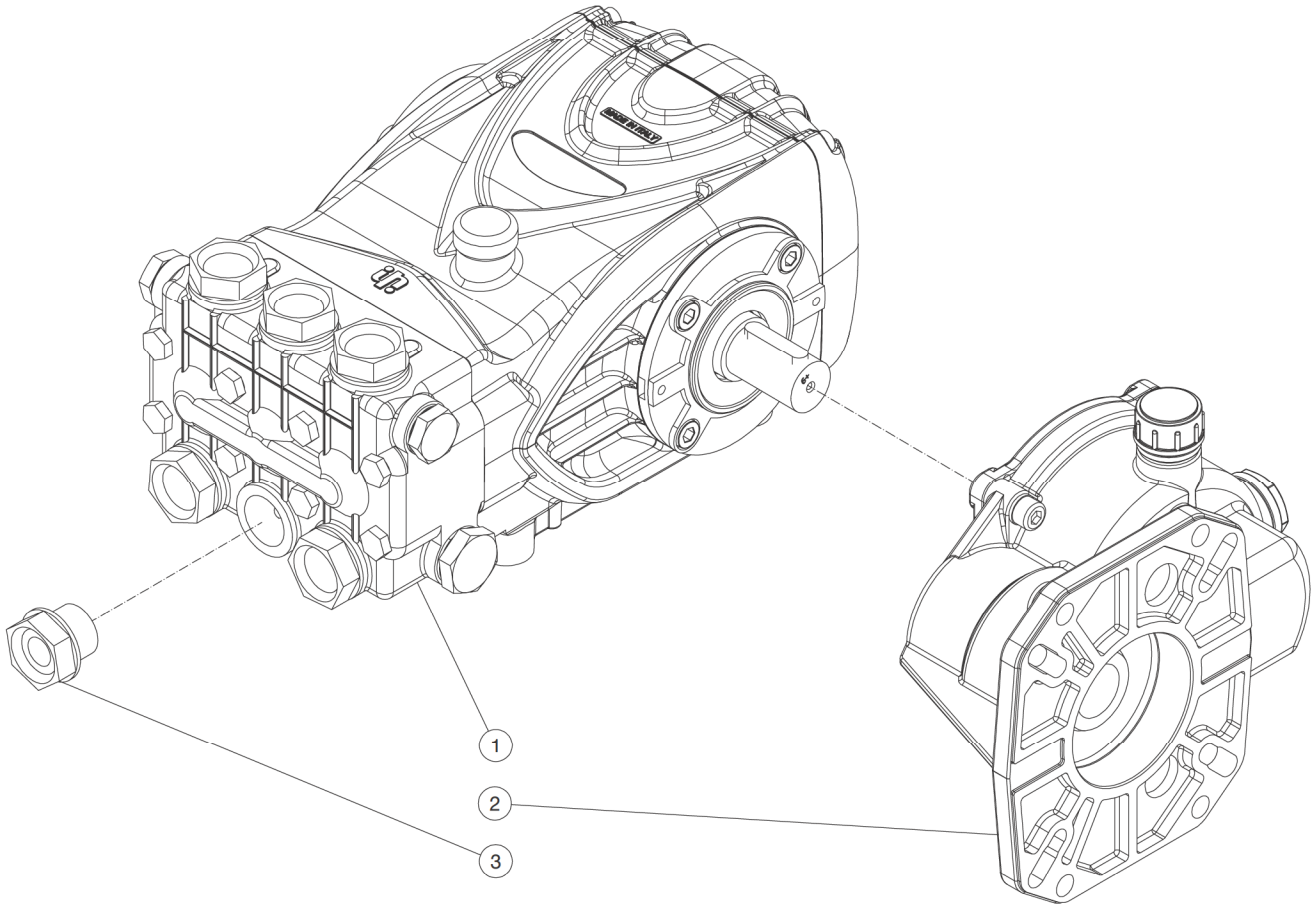


DETAIL A

JM-3000-OGH_OGM 082223

UNIT ASSEMBLY							
ITEM	TITLE	PART #	QTY	ITEM	TITLE	PART #	QTY
1	DECAL - JM-3000 FRONT PANEL (SEE JM71-0008)	N/A	1	45	NIPPLE	JM24-0010	1
2	LOCKNUT	JM30-0157	4	46	HIGH PRESSURE HOSE	JM15-0310	1
3	WASHER	JM28-0003	8	47	REDUCER	JM23-0017	1
4	BATTERY BOX	JM33-0092	1	48	DECAL - SILVER STICKER	N/A	1
5	BATTERY RETAINER	JM20-0264A18	1	49	STREET TEE	JM23-0058	1
6	BOLT	JM27-0066	4	50	FRAME - SM JETTER	JM5-0306A64	1
7	DECAL - RISK OF INJURY (SEE JM71-0008)	N/A	1	51	HOSE BARB	JM23-0005	1
8	DECAL - JM-3000 SIDE PANEL (SEE JM71-0008)	N/A	1	52	TEE	JM23-0235	1
9	BALL KNOB	JM7-0223	1	53	RELIEF VALVE	JM22-0005	1
10	SPRING	JM49-0165	1	54	DECAL - WARNING/OPERATION (SEE JM71-0008)	N/A	1
11	SHOULDER SCREW	JM27-0895	1	55	DECAL - REWIND GPC	N/A	1
12	WASHER	JM28-0002	16	56	ENGINE - HONDA	JM1-0087	1
13	BOLT	JM27-0020	4	-	ENGINE - MITM	JM1-0216	1
14	HOSE REEL BRACKET ASSEMBLY	JM20-1275A64	1	57	KEY	JM43-0078	1
15	BOLT	JM27-0067	1	58	HOSE (ONE FOOT REQUIRED)	JM15-0007	1
16	ISOLATOR	JM14-0174	1	59	ELBOW	JM23-0119	1
17	WASHER	JM28-0057	1	60	FILTER	JM19-0207	1
18	NUT	JM30-0004	1	61	ELBOW	JM24-0006	1
19	BOLT	JM27-0015	4	62	BALL VALVE	JM22-0494	1
20	PUSH/PULL TOGGLE CLAMP	JM33-0400	1	63	HANDLE GRIP	JM7-0227	1
21	LOCKNUT	JM30-0155	8	64	ELBOW	JM24-0118	1
22	DECAL - PROP 65	N/A	1	65	COMPONENT TOOL BOX	JM20-1213A64	1
23	TERMINAL RING	JM32-0097	1	66	DECAL - WARNING RISK OF BURNS (SEE JM71-0008)	N/A	1
24	CABLE	JM32-0065	1	67	WHEEL	JM14-0150	4
25	HOSE REEL	JM851-0390	1	68	LOCKNUT	JM30-0117	4
26	CABLE TIE	JM33-0022	2	69	U CLAMP	JM13-0211	1
27	TERMINAL RING	JM32-0744	1	70	PRESSURE GAUGE	JM22-0465	1
28	CABLE	JM32-9112	1	71	DECAL - JM-3000 CONTROL PANEL (SEE JM71-0008)	N/A	1
29	DECAL - RISK OF BURNS (SEE JM71-0008)	N/A	1	72	ELBOW	JM23-0426	1
30	DECAL - RISK OF FIRE (SEE JM71-0008)	N/A	1	73	COUPLER	JM23-0077	2
31	TERMINAL PROTECTOR	JM33-0508	1	74	WASHER	JM28-0051	2
32	LOCKNUT	JM30-0159	4	75	BALL VALVE	JM22-0462	1
33	WASHER	JM28-0023	8	76	SCREW NIPPLE	JM23-0494	2
34	BOLT	JM27-0121	4	77	WASHER	JM28-0050	1
35	PUMP - 3-0203 W/GEARBOX	JM3-0370	1	78	ELBOW	JM24-0131	1
36	WASHER	JM28-0022	4	79	DETERGENT HOSE	JM19-0233	1
37	LOCKWASHER	JM29-0008	4	80	SCREW COUPLER	JM23-0490	2
38	BOLT	JM27-0119	4	81	CHEMICAL INJECTOR	JM50-0052	1
39	HIGH PRESSURE HOSE	JM15-0254	2	82	HOSE	JM15-0146	1
40	ELBOW	JM24-0092	1	83	GUN	JM16-0446	1
41	UNLOADER	JM8-0634	1	84	DUAL LANCE	JM16-0416	1
42	HOSE	JM15-0007	1	85	NOZZLE	JM18-0026	1
43	HOSE CLAMP	JM42-0011	3	-	DECAL SET - JM-3000-0GH	JM71-0008	1
44	ELBOW	JM23-0050	2				

PUMP/GEARBOX ASSEMBLY

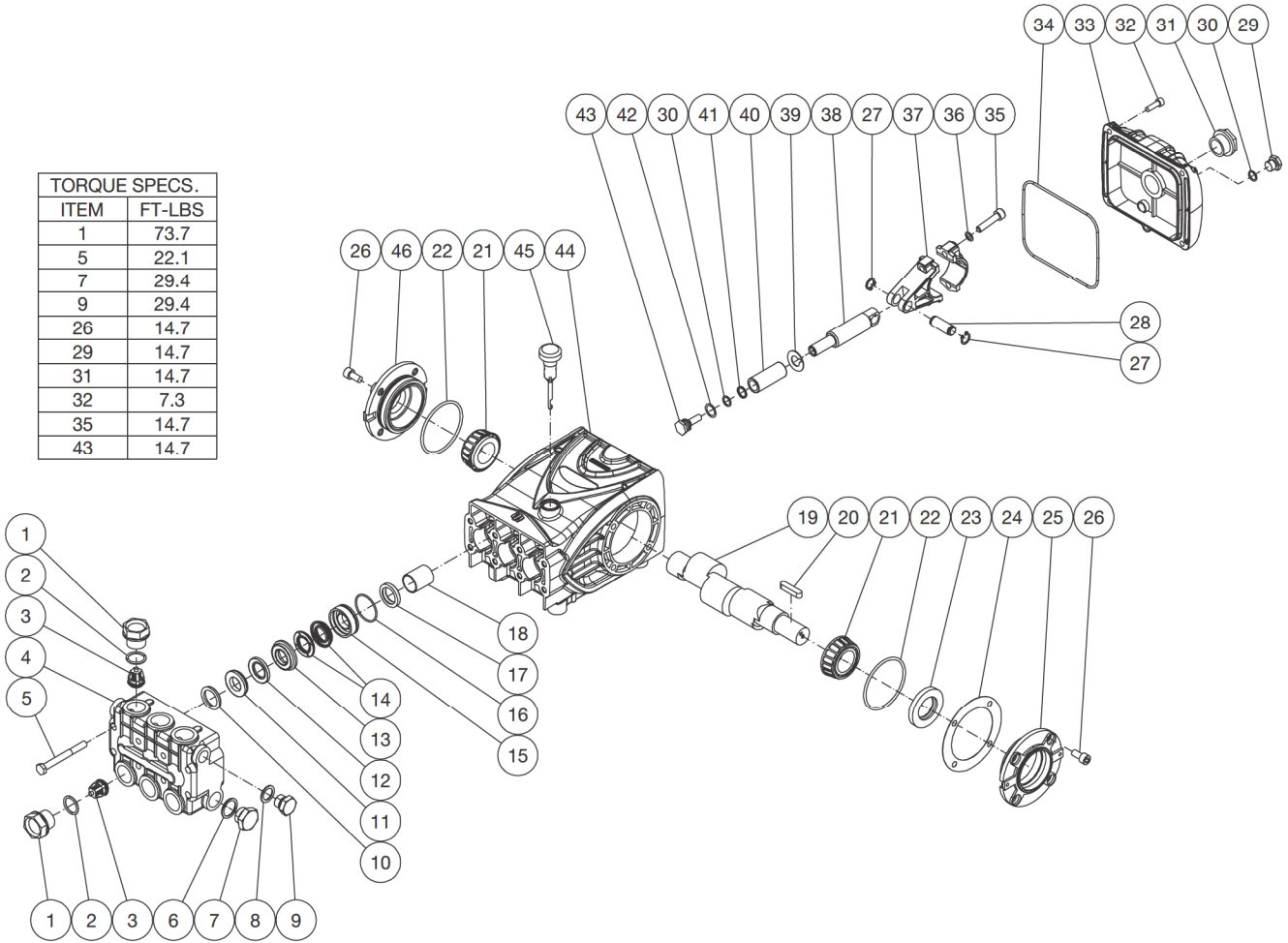


3-0370 072523

3-0370 072523			
PUMP / GEAR BOX ASSEMBLY			
ITEM	TITLE	Mi-T-M #	QTY
1	PUMP	JM3-0203	1
2	GEARBOX	JM47-0032	1
3	VALVE CAP	JM46-1427	1

PUMP ASSEMBLY

TORQUE SPECS.	
ITEM	FT-LBS
1	73.7
5	22.1
7	29.4
9	29.4
26	14.7
29	14.7
31	14.7
32	7.3
35	14.7
43	14.7

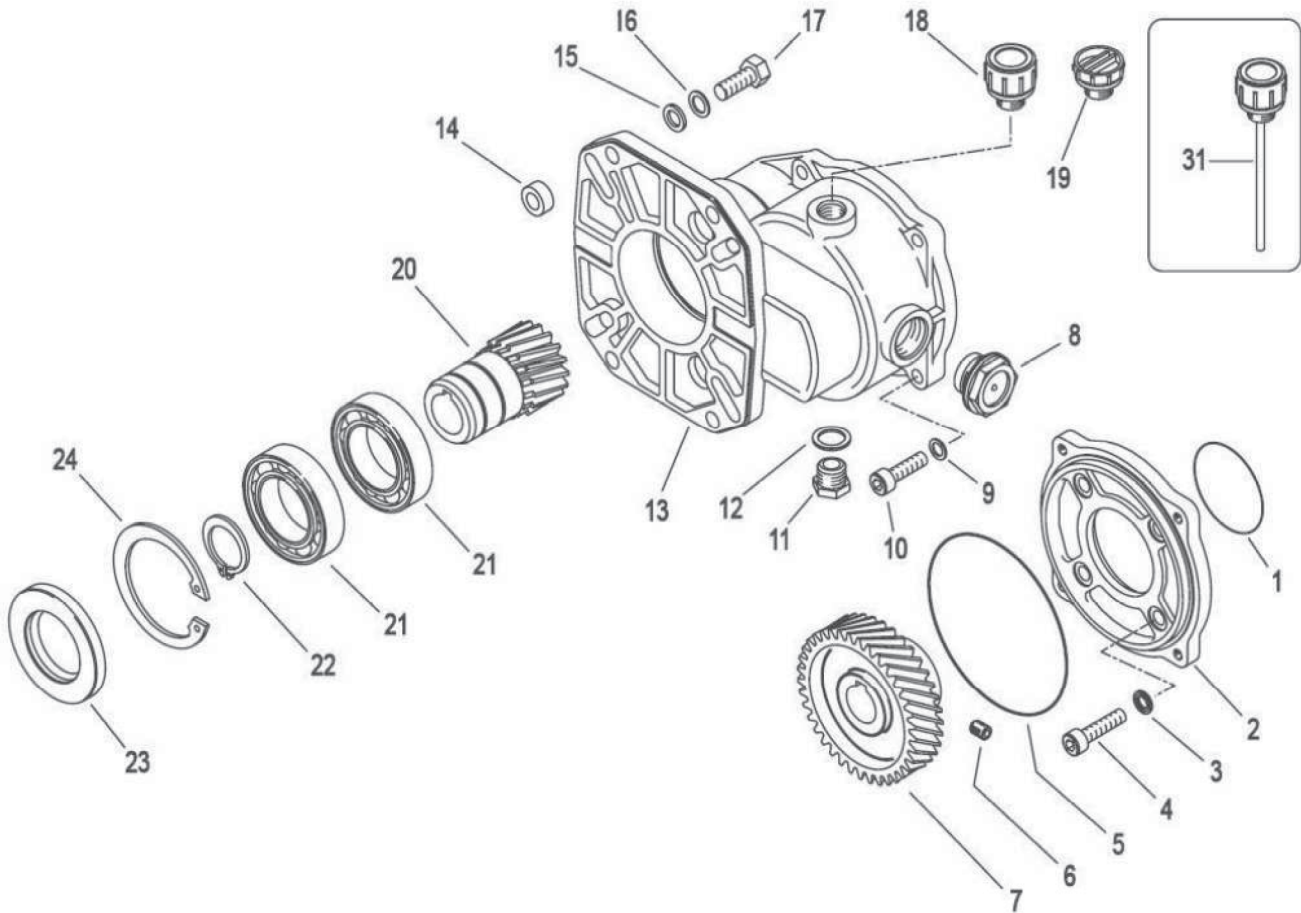


3-0203 070123

PUMP ASSEMBLY							
ITEM	TITLE	PART #	QTY	ITEM	TITLE	PART #	QTY
1	VALVE CAP	JM46-0889	6	25	CRANKCASE COVER	JM46-0296	1
2	O-RING	JM25-0012	6	26	BOLT	JM27-8431	8
3	VALVE ASSEMBLY (SEE KIT JM70-0009)	JM22-0056	6	27	RETAINING RING	JM46-0103	6
4	MANIFOLD	N/A	1	28	CONNECTING ROD PIN	JM43-0032	3
5	BOLT	JM27-8185	8	29	PLUG	JM39-0017	1
6	WASHER	JM28-1038	2	30	O-RING	JM25-0014	4
7	PLUG	JM39-0019	2	31	OIL LEVEL INDICATOR	JM46-0114	1
8	WASHER	JM28-1002	2	32	BOLT (AFTER SN #11436301)	JM27-8812	5
9	PLUG	JM39-0018	2	-	BOLT (BEFORE SN #11436301)	JM27-8404	5
10	HEAD RING (SEE KIT JM70-0030 & JM852-0122)	JM70-0030	3	33	CRANKCASE COVER (AFTER SN #11436301)	JM46-1906	1
11	V-PACKING (SEE KIT JM70-0147 & JM852-0122)	JM26-0098	3	-	CRANKCASE COVER (BEFORE SN #11436301)	JM46-0295	1
12	O-RING (SEE KIT JM70-0147, JM70-0148 & JM852-0122)	JM25-0207	3	34	O-RING	JM25-0339	1
13	INTERMEDIATE RETAINER (SEE KIT JM70-0148)	JM46-0659	3	35	BOLT	JM27-8435	6
14	LOW PRESSURE SEAL (SEE KIT JM70-0147 & JM852-0122)	JM26-0197	3	36	LOCKWASHER	JM29-0154	6
15	LOW PRESSURE SEAL RETAINER	JM46-0057	3	37	CONNECTING ROD	JM46-0051	3
16	O-RING (SEE KIT JM852-0122)	JM25-0015	3	38	PISTON ROD	JM46-0056	3
17	OIL SEAL	JM26-0047	3	39	SLINGER WASHER	JM46-0146	3
18	BUSHING	JM9-0029	3	40	PLUNGER	JM46-0052	3
19	CRANKSHAFT	JM46-0888	1	41	BACK-UP RING	JM25-0465	3
20	KEY	JM43-0048	1	42	WASHER	JM28-0400	3
21	BEARING	JM48-0012	2	43	NUT / PISTON	JM46-0069	3
22	O-RING	JM25-0013	2	44	CRANKCASE	JM46-1905	1
23	OIL SEAL	JM26-0049	1	45	OIL DIP STICK	JM46-0144	1
24	SHIM	JM46-0113	1	46	CRANKCASE COVER	JM46-0336	1

REPLACEMENT KITS				
KIT#	DESCRIPTION	ITEMS	# OF ASSEMBLIES	# OF CYLINDERS
JM70-0009	VALVES	3	6	3
JM70-0030	HEAD RING	10	3	3
JM70-0147	V-PACKING	11, 12, 14	3	3
JM70-0148	INTERMEDIATE RETAINER	12, 13	3	3
JM852-0122	V-PACKING ASSY	10-12, 14, 16	3	3

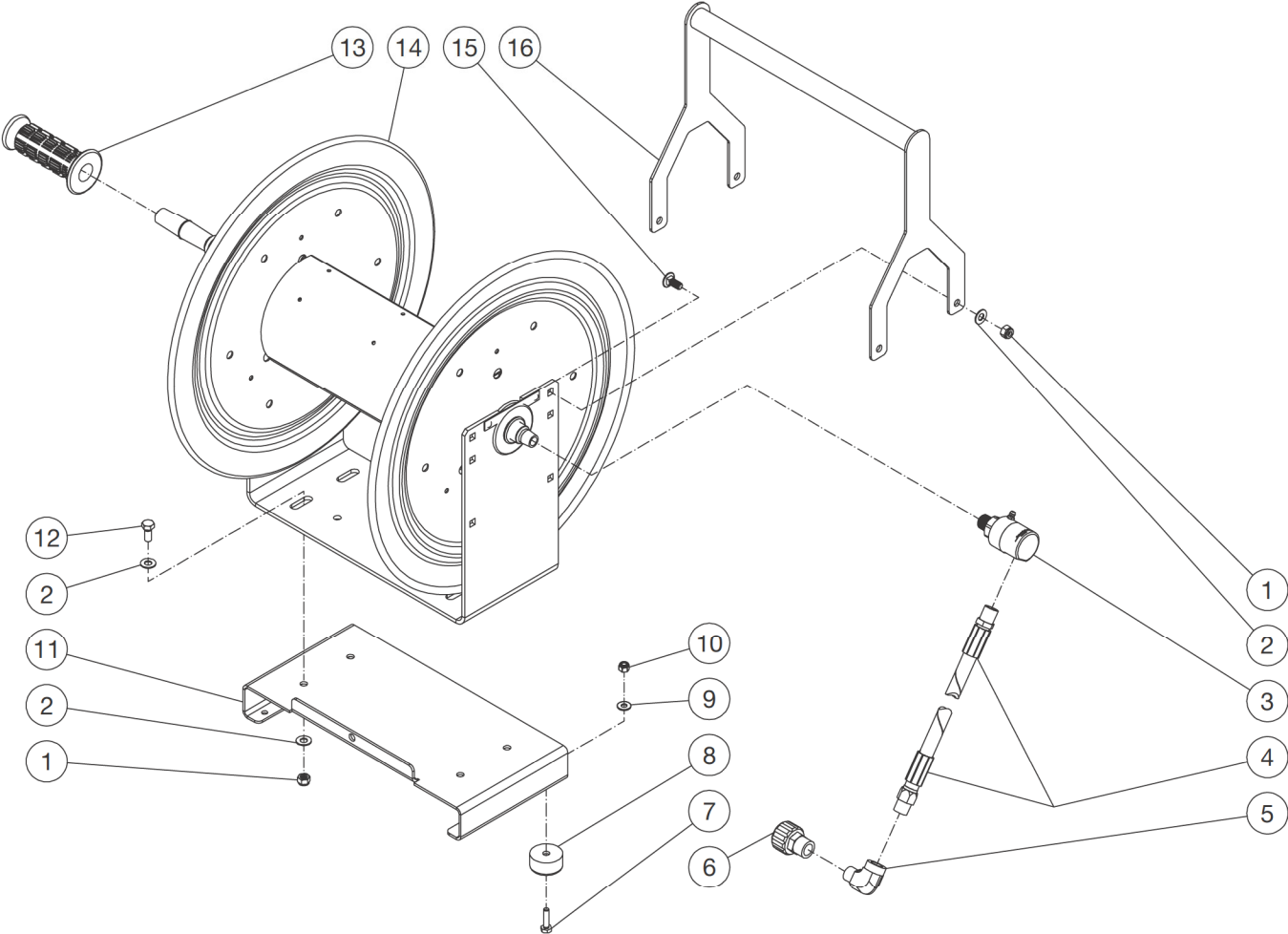
GEARBOX ASSEMBLY



47-0032 010412

GEARBOX ASSEMBLY			
ITEM	DESCRIPTION	Mi-T-M #	QTY
1	O-RING	JM25-0158	1
2	PUMP FLANGE	JM46-1472	1
3	SEALING WASHER	JM28-0137	4
4	SCREW	JM27-8434	4
5	O-RING	JM25-0650	1
6	SET SCREW	JM27-9606	1
7	RING GEAR	JM47-0036	1
8	OIL SIGHT GLASS	JM46-1473	1
9	LOCKWASHER	JM29-0154	4
10	SCREW	JM27-8433	4
11	PLUG	JM39-0205	1
12	WASHER	JM28-0138	1
13	GEARBOX CASE	JM47-0037	1
14	SPACER	JM46-1474	4
15	WASHER	JM28-0139	4
16	LOCKWASHER	JM29-0155	4
17	SCREW	JM27-0119	4
18	OIL PLUG VENTED	JM46-1475	1
19	OIL PLUG NON-VENTED	JM46-1476	1
20	PINION GEAR	JM47-0038	1
21	BALL-BEARING	JM48-0092	1
22	SNAP RING	JM46-1477	1
23	SEAL RING	JM26-0380	1
24	SNAP RING	JM46-1478	1
31	OIL DIPSTICK	JM46-1479	1

HOSE REEL ASSEMBLY



851-0390 111023

HOSE REEL ASSEMBLY

ITEM	TITLE	PART #	QTY
1	LOCKNUT	JM30-0157	8
2	WASHER	JM28-0003	12
3	3/8" SWIVEL	JM24-0362	1
4	PRESSURE HOSE	JM15-0257	1
5	ELBOW	JM24-0105	1
6	SCREW COUPLER	JM23-0490	1
7	BOLT	JM27-0016	4
8	ISOLATOR	JM14-0069	4
9	WASHER	JM28-0002	4
10	LOCKNUT	JM30-0155	4
11	HOSE REEL STAND	JM20-1221A18	1
12	BOLT	JM27-0066	4
13	HANDLE GRIP	JM7-0059	1
14	HOSE REEL	JM50-0221	1
15	CARRIAGE BOLT	JM31-0046	4
16	HOSE REEL HANDLE	JM7-0273A18	1