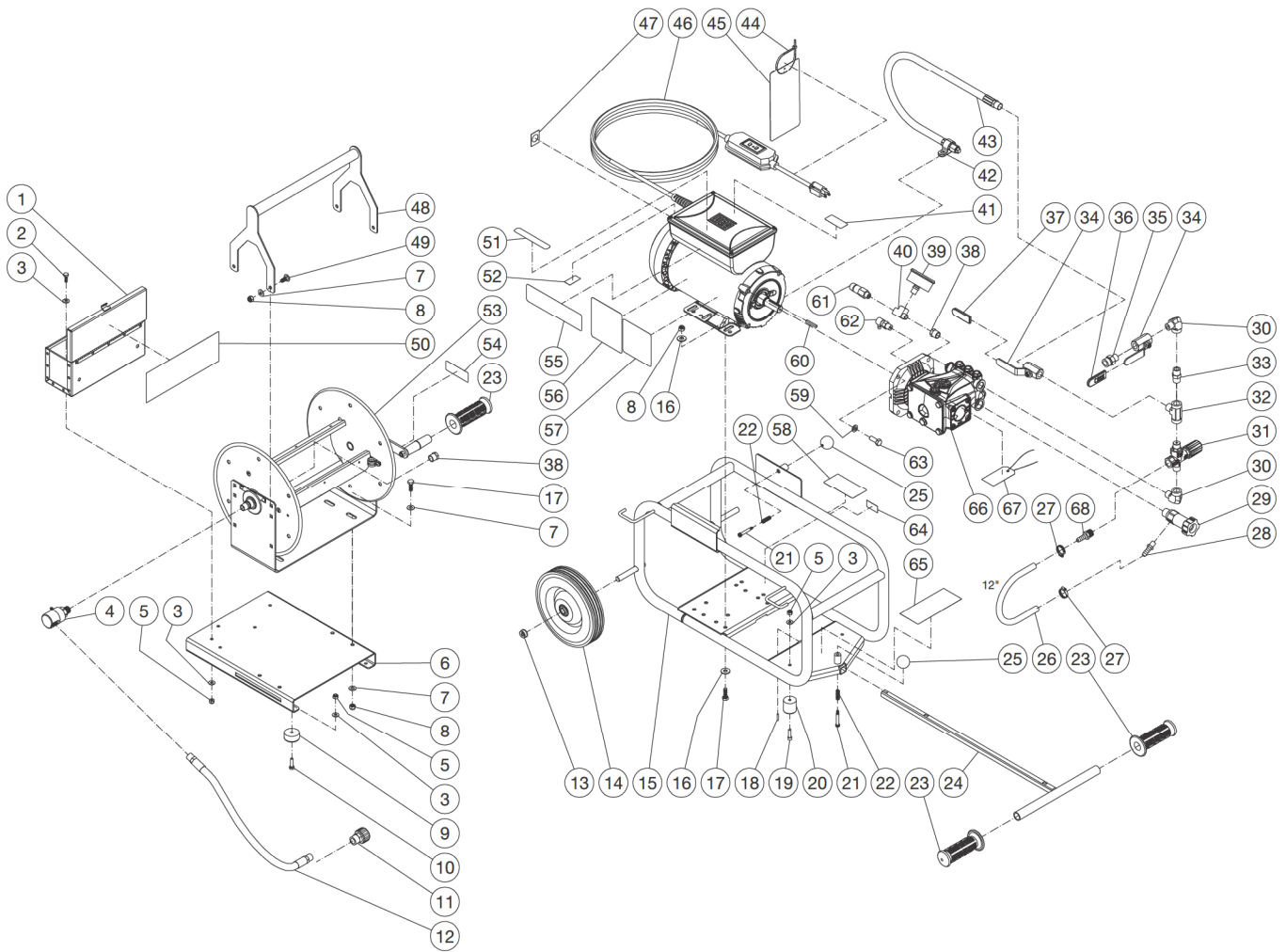


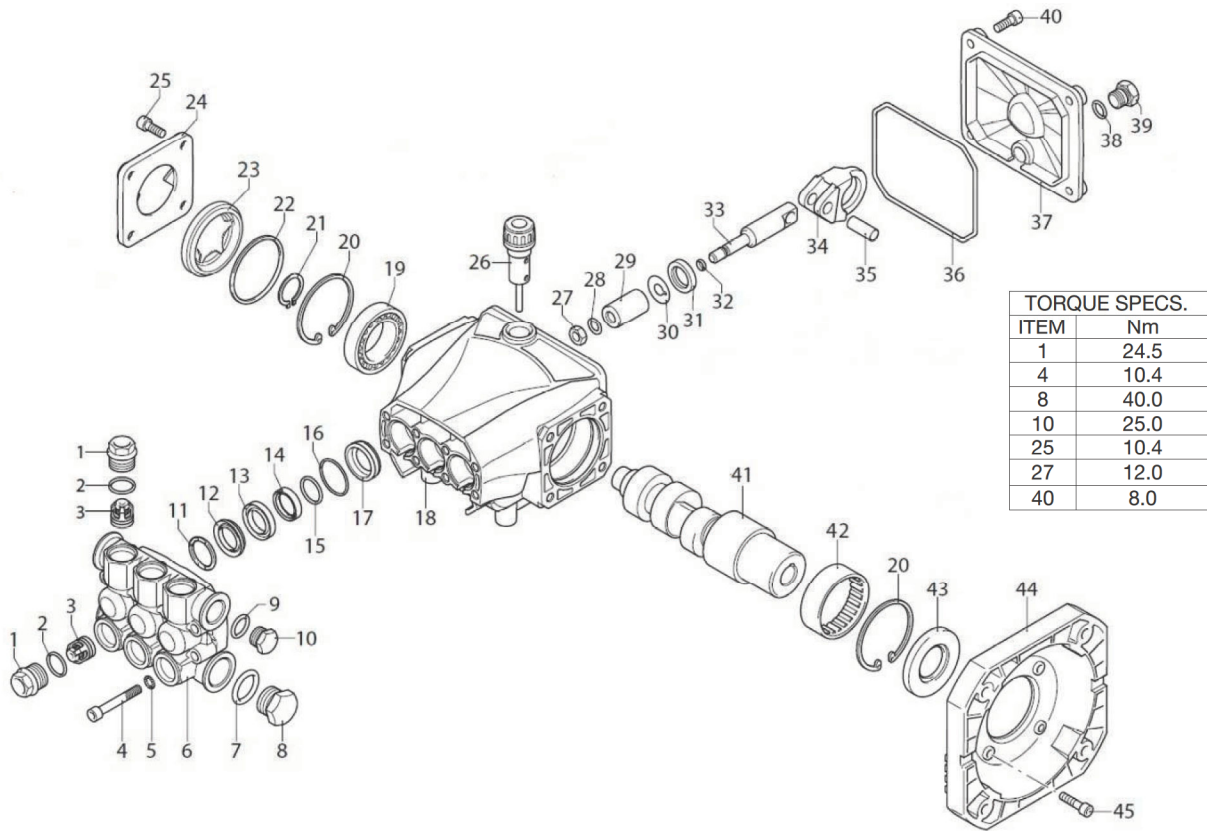
UNIT ASSEMBLY JM-1450



| | | | | UNIT ASSEMBLY | | | |
|------|----------------------------------|--------------|-----|---------------|--|-------------|-----|
| ITEM | TITLE | PART # | QTY | ITEM | TITLE | PART # | QTY |
| 1 | COMPONENT TOOL BOX | JM20-1213A64 | 1 | 41 | DECAL - PUMP INSTRUCTIONS (SEE JM71-0011 AND JM71-0001) | N/A | 1 |
| 2 | BOLT | JM27-0015 | 2 | 42 | CLIP | JM33-0291 | 1 |
| 3 | WASHER | JM28-0002 | 10 | 43 | HOSE - 24" LONG | JM15-0308 | 1 |
| 4 | 3/8" SWIVEL | JM24-0362 | 1 | 44 | CABLE TIE | JM033-0022 | 1 |
| 5 | LOCKNUT | JM30-0155 | 8 | 45 | TAG - WARNING RISK OF ELECTROCUTION | N/A | 1 |
| 6 | HOSE REEL MOUNTING PLATE | JM20-1218A18 | 1 | 46 | MOTOR ASSEMBLY (010) | JM851-0438 | 1 |
| 7 | WASHER | JM28-0003 | 12 | - | MOTOR (020) | JM2-0194 | 1 |
| 8 | LOCKNUT | JM30-0157 | 12 | - | SWITCH (020) | JM32-1173 | 1 |
| 9 | ISOLATOR | JM14-0069 | 4 | - | CORD (020) | JM32-1174 | 1 |
| 10 | BOLT | JM27-0016 | 4 | - | BOOT (020) | JM32-1175 | 1 |
| 11 | SCREW COUPLER | JM23-0490 | 1 | - | STRAIN RELIEF (020) | JM32-1176 | 1 |
| 12 | HOSE - 18" LONG | JM15-0313 | 1 | - | WIRE CONNECTOR (020) | JM32-1178 | 6 |
| 13 | HUB CAP | JM33-0055 | 2 | - | NUT (020) | JM32-1179 | 1 |
| 14 | WHEEL | JM14-0124 | 2 | 47 | DECAL-ON/OFF (SEE JM71-0011 AND JM71-0001) | N/A | 1 |
| 15 | FRAME | JM5-0305A64 | 1 | 48 | HOSE REEL HANDLE | JM7-0274A18 | 1 |
| 16 | WASHER | JM28-0022 | 8 | 49 | CARRIAGE BOLT | JM31-0046 | 4 |
| 17 | BOLT | JM27-0067 | 8 | 50 | DECAL - WARNING/OPERATION SEWER JET ELEC (SEE JM71-0011 AND JM71-0001) | N/A | 1 |
| 18 | SPRING PIN | JM43-0138 | 1 | 51 | DECAL - WARNING POTABLE WTR BACKFLOW (E/F/S) (SEE JM71-0011) (010) | N/A | 1 |
| 19 | BOLT | JM27-0850 | 2 | - | DECAL - WARNING POTABLE WTR BACKFLOW (E/S) (SEE JM71-0001) (020) | N/A | 1 |
| 20 | ISOLATOR | JM14-0119 | 2 | 52 | DECAL - ON/OFF JM-1450 (SEE JM71-0011 AND JM71-0001) | N/A | 1 |
| 21 | SHOULDER SCREW | JM27-0895 | 2 | 53 | HOSE REEL | JM50-0220 | 1 |
| 22 | SPRING | JM49-0165 | 2 | 54 | DECAL - PROP 65 | N/A | 1 |
| 23 | HANDLE GRIP | JM7-0059 | 3 | 55 | DECAL - WARNING RISK OF EXPL/ELEC/INJCT (SEE JM71-0011) (010) | N/A | 1 |
| 24 | HANDLE | JM7-0224 | 1 | - | DECAL - WARNING RISK OF EXPL/ELEC/INJCT (SEE JM71-0001) (020) | N/A | 1 |
| 25 | BALL KNOB | JM7-0223 | 2 | 56 | DECAL - WARNING RISK OF ELECTROCUTION (SEE JM71-0011) (010) | N/A | 1 |
| 26 | BYPASS HOSE *(ONE FOOT REQUIRED) | JM15-0020 | 1 | - | DECAL - WARNING RISK OF ELECTROCUTION (SEE JM71-0001) (020) | N/A | 1 |
| 27 | HOSE CLAMP | JM42-0011 | 2 | 57 | DECAL - CAUTION/IMPORTANT - (E/S) (SEE JM71-0011 AND JM71-0001) | N/A | 1 |
| 28 | BARB | JM23-0069 | 1 | 58 | DECAL - SILVER STICKER | N/A | 1 |
| 29 | FILTER | JM19-0207 | 1 | 59 | LOCKWASHER | JM29-0008 | 4 |
| 30 | ELBOW | JM24-0105 | 2 | 60 | KEY | JM43-0072 | 1 |
| 31 | UNLOADER | JM8-0629 | 1 | 61 | POP-OFF VALVE | JM22-0046 | 1 |
| 32 | TEE | JM24-0184 | 1 | 62 | HEAT DUMP VALVE | JM22-0408 | 1 |
| 33 | NIPPLE | JM24-0010 | 1 | 63 | BOLT | JM27-0117 | 4 |
| 34 | BALL VALVE | JM22-0494 | 2 | 64 | DECAL - JM-1450 1500PSI MAX (SEE JM71-0011 AND JM71-0001) | N/A | 1 |
| 35 | SCREW NIPPLE | JM23-0493 | 1 | 65 | DECAL - JM-1450 BASEPLATE | N/A | 1 |
| 36 | HANDLE GRIP | JM7-0226 | 1 | 66 | PUMP | JM3-0367 | 1 |
| 37 | HANDLE GRIP | JM7-0230 | 1 | 67 | TAG - IMPORTANT OIL PLUG | N/A | 1 |
| 38 | REDUCER | JM23-0017 | 2 | 68 | HOSE BARB | JM23-0073 | 1 |
| 39 | PRESSURE GAUGE | JM22-0466 | 1 | - | DECAL SET/JM-1450-010 | JM71-0011 | 1 |
| 40 | TEE | JM23-0127 | 1 | - | DECAL SET/JM-1450-020 | JM71-0001 | 1 |

*MUST ORDER IN ONE FOOT LENGTHS

PUMP ASSEMBLY



| 3-0367 082919 | | | |
|---------------|-------------------------------------|-----------|-----|
| PUMP ASSEMBLY | | | |
| ITEM | DESCRIPTION | PART # | QTY |
| 1 | VALVE PLUG | JM39-0241 | 6 |
| 2 | O-RING (SEE JM70-0565) | JM25-0644 | 6 |
| 3 | COMPLETE VALVE (SEE JM70-0609) | SEE KIT | 6 |
| 4 | SCREW | N/A | 8 |
| 5 | WASHER | N/A | 8 |
| 6 | HEAD | N/A | 1 |
| 7 | O-RING (SEE JM70-0565) | JM25-0372 | 1 |
| 8 | PLUG | JM39-0202 | 1 |
| 9 | O-RING (SEE JM70-0565) | JM25-0510 | 1 |
| 10 | PLUG | JM39-0102 | 1 |
| 11 | RING (SEE JM70-0563) | N/A | 3 |
| 12 | GASKET (SEE JM70-0581) | N/A | 3 |
| 13 | PACKING RETAINER | JM46-1457 | 3 |
| 14 | GASKET (SEE JM70-0581) | SEE KIT | 3 |
| 15 | RING (SEE JM70-0581) | SEE KIT | 3 |
| 16 | O-RING (SEE JM70-0565 OR JM70-0581) | JM25-0149 | 3 |
| 17 | RETAINER | JM46-1458 | 3 |
| 18 | PUMP BODY | N/A | 1 |
| 19 | BEARING | JM48-0063 | 1 |
| 20 | SNAP RING | JM46-0676 | 2 |
| 21 | SNAP RING | JM46-0732 | 1 |
| 22 | O-RING (SEE JM70-0565) | SEE KIT | 1 |
| 23 | OIL INDICATOR | JM46-1452 | 1 |
| 24 | COVER | JM46-1453 | 1 |
| 25 | SCREW | JM27-8888 | 8 |
| 26 | OIL DIPSTICK | JM39-0254 | 1 |
| 27 | NUT | JM30-6016 | 3 |
| 28 | WASHER | JM26-0187 | 3 |
| 29 | PISTON (SEE JM70-0564) | SEE KIT | 3 |
| 30 | SPACER | JM28-1027 | 3 |
| 31 | SEAL (SEE JM70-0566) | JM26-0193 | 3 |
| 32 | O-RING (SEE JM70-0565) | JM25-0371 | 3 |
| 33 | PISTON GUIDE | N/A | 3 |
| 34 | CONNECTING ROD | N/A | 3 |
| 35 | CONNECTING ROD PIN | JM46-0721 | 3 |
| 36 | O-RING (SEE JM70-0565) | SEE KIT | 1 |
| 37 | REAR COVER | JM46-1455 | 1 |
| 38 | O-RING (SEE JM70-0565) | JM25-0387 | 1 |
| 39 | PLUG | JM39-0096 | 1 |
| 40 | SCREW | N/A | 4 |
| 41 | CRANKSHAFT | N/A | 1 |
| 42 | BEARING | N/A | 1 |
| 43 | SEAL (SEE JM70-0566) | JM26-0192 | 1 |
| 44 | FLANGE | JM46-1460 | 1 |
| 45 | SCREW | N/A | 4 |

| REPLACEMENT KITS | | | | |
|------------------|---------------------|----------------------|-----------------|----------------|
| PART KIT # | DESCRIPTION | ITEMS | # OF ASSEMBLIES | # OF CYLINDERS |
| JM70-0563 | KIT-SUPPORTING RING | 11 | 3 | 3 |
| JM70-0564 | KIT- PISTONS | 29 | 6,1,1,3,1,1,1,1 | 3 |
| JM70-0565 | KIT- O-RINGS | 2,7,9,16,22,32,36,38 | 3,1 | 3 |
| JM70-0566 | KIT- OIL SEALS | 31,43 | 3 | 3 |
| JM70-0581 | KIT- WATER SEALS | 12,14,15,16 | 3,3 | 3 |
| JM70-0609 | KIT- VALVES | 3 | 6 | 3 |

General Wire Spring Co.
1101 Thompson Avenue
McKees Rocks, PA 15136
412-771-6300 www.drainbrain.com