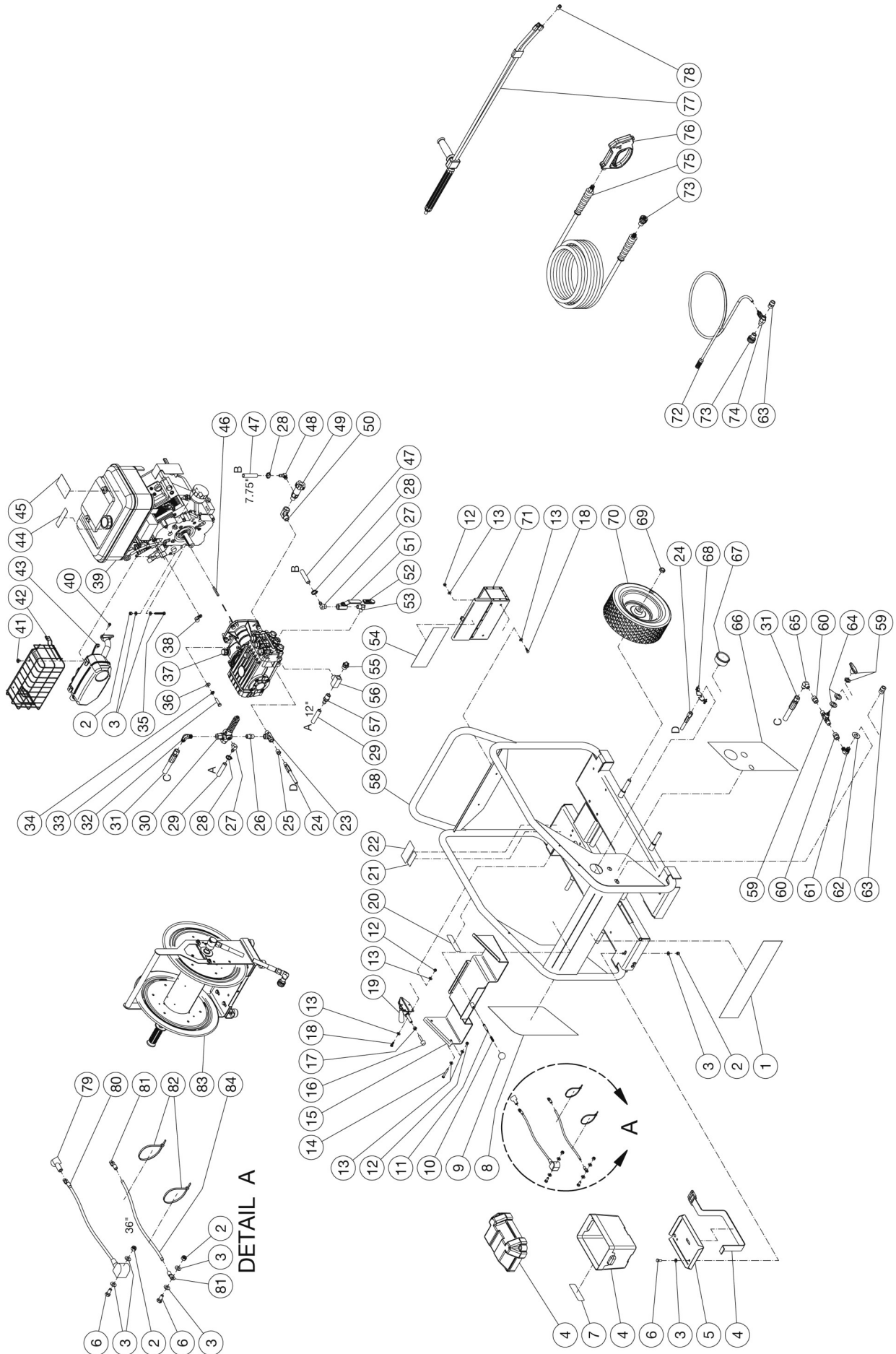
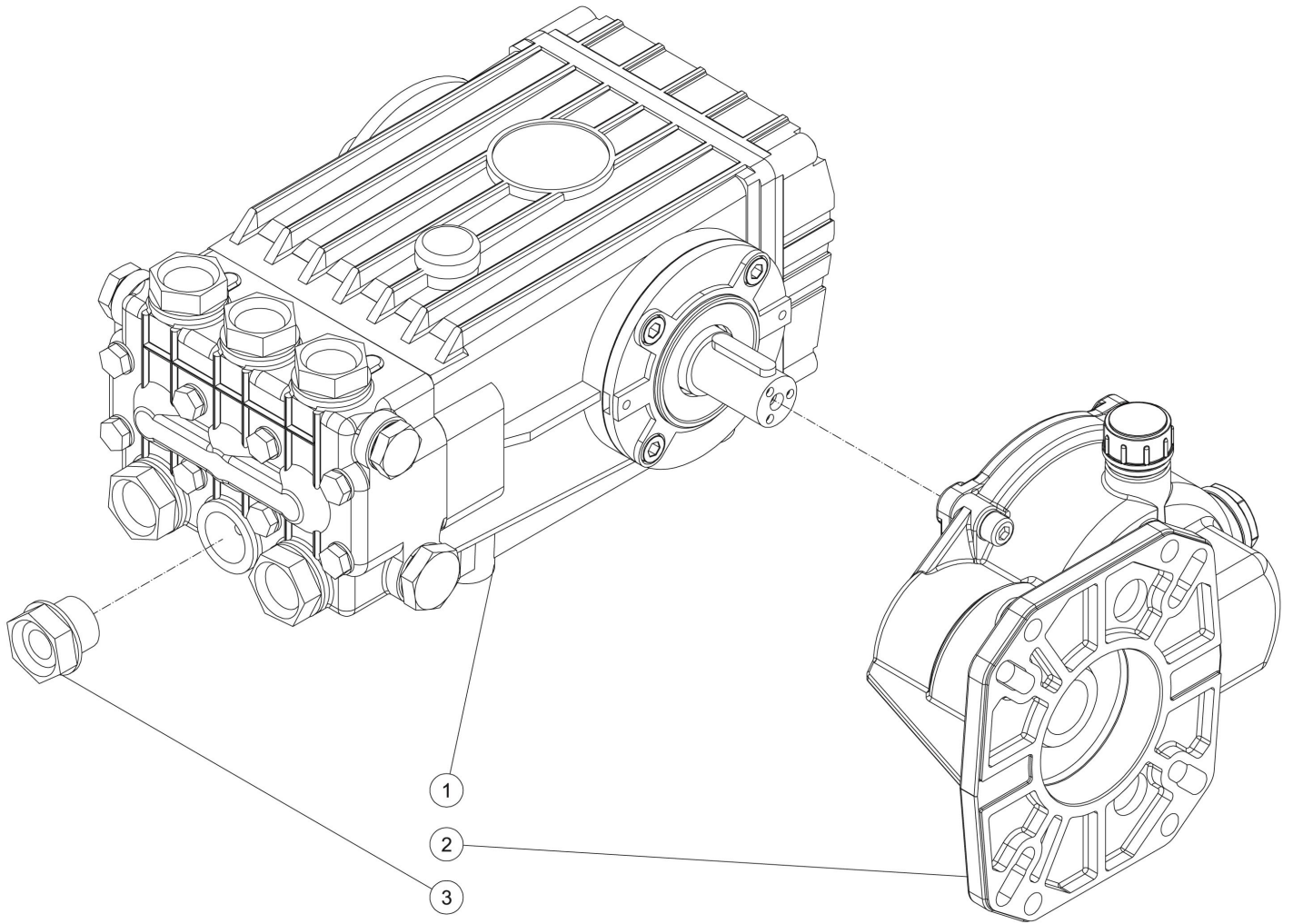


JM-3055 PARTS LIST

ITEM	TITLE	PART #	QTY	ITEM	TITLE	PART #	QTY
1	DECAL - JM-3055 FRONT PANEL (SEE 71-0003)	N/A	1	44	DECAL - RISK OF BURNS (SEE 71-0003)	N/A	1
2	LOCKNUT	30-0157	8	45	DECAL- CAUTION: GASOLINE ONLY (SEE 71-0003)	N/A	1
3	WASHER	28-0003	16	46	KEY	43-0078	1
4	BATTERY BOX	33-0092	1	47	HOSE *(ONE FOOT REQUIRED)	15-0007	1
5	BATTERY RETAINER	20-0264A18	1	48	ELBOW	23-0119	1
6	BOLT	27-0066	4	49	FILTER	19-0207	1
7	DECAL - RISK OF INJURY (SEE 71-0003)	N/A	1	50	ELBOW	24-0006	1
8	DECAL - JM-3055 SIDE PANEL (SEE 71-0003)	N/A	1	51	BALL VALVE	22-0494	1
9	BALL KNOB	7-0223	1	52	HANDLE GRIP	7-0227	1
10	SPRING	49-0165	1	53	ELBOW	24-0118	1
11	SHOULDER SCREW	27-0895	1	54	DECAL - WARNING/OPERATION (SEE 71-0003)	N/A	1
12	LOCKNUT	30-0155	8	55	RELIEF VALVE	22-0005	1
13	WASHER	28-0002	16	56	TEE	23-0235	1
14	BOLT	27-0020	4	57	HOSE BARB	23-0005	1
15	HOSE REEL BRACKET ASSEMBLY	20-1275A64	1	58	FRAME - SM JETTER	5-0306A64	1
16	FLAT TIP SPINDLE	33-0634	1	59	BALL VALVE	22-0462	1
17	NUT	30-0004	1	60	COUPLER	23-0077	2
18	BOLT	27-0015	4	61	ELBOW	24-0131	1
19	PUSH/PULL TOGGLE CLAMP	33-0400	1	62	WASHER	28-0050	1
20	DECAL - WARNING RISK OF BURNS (SEE 71-0003)	N/A	1	63	SCREW NIPPLE	23-0494	2
21	DECAL - PROP 65	N/A	1	64	WASHER	28-0051	2
22	DECAL - SILVER STICKER	N/A	1	65	ELBOW	23-0426	1
23	STREET TEE	23-0058	1	66	DECAL - JM-3055 CONTROL PANEL (SEE 71-0003)	N/A	1
24	HIGH PRESSURE HOSE	15-0310	1	67	PRESSURE GAUGE	22-0465	1
25	REDUCER	23-0017	1	68	U CLAMP	13-0211	1
26	NIPPLE	24-0010	1	69	LOCKNUT	30-0117	4
27	ELBOW	23-0050	2	70	WHEEL	14-0150	4
28	HOSE CLAMP	42-0011	3	71	COMPONENT TOOL BOX	20-1213A64	1
29	HOSE *(ONE FOOT REQUIRED)	15-0007	1	72	DETERGENT HOSE	19-0233	1
30	UNLOADER	8-0634	1	73	SCREW COUPLER	23-0490	2
31	HIGH PRESSURE HOSE	15-0254	1	74	CHEMICAL INJECTOR	50-0052	1
32	ELBOW	24-0092	1	75	HOSE	15-0146	1
33	BOLT	27-0119	4	76	GUN	16-0446	1
34	LOCKWASHER	29-0008	4	77	DUAL LANCE	16-0417	1
35	BOLT	27-0071	4	78	NOZZLE	18-0021	1
36	WASHER	28-0022	4	79	TERMINAL PROTECTOR	33-0508	1
37	PUMP - 3-0202 W/GEARBOX	3-0369	1	80	CABLE	32-9112	1
38	HOSE CLIP	33-0517	2	81	TERMINAL RING	32-0097	2
39	ENGINE	1-0200	1	82	CABLE TIE	33-0022	2
40	BOLT	27-8966	4	83	HOSE REEL	851-0390	1
41	BOLT	27-8967	2	84	CABLE *(THREE FEET REQUIRED)	32-0065	1
42	MUFFLER GUARD	45-0067	1	-	DECAL SET	71-0003	1
43	MUFFLER	45-0064	1		*MUST ORDER IN ONE FOOT LENGTHS		



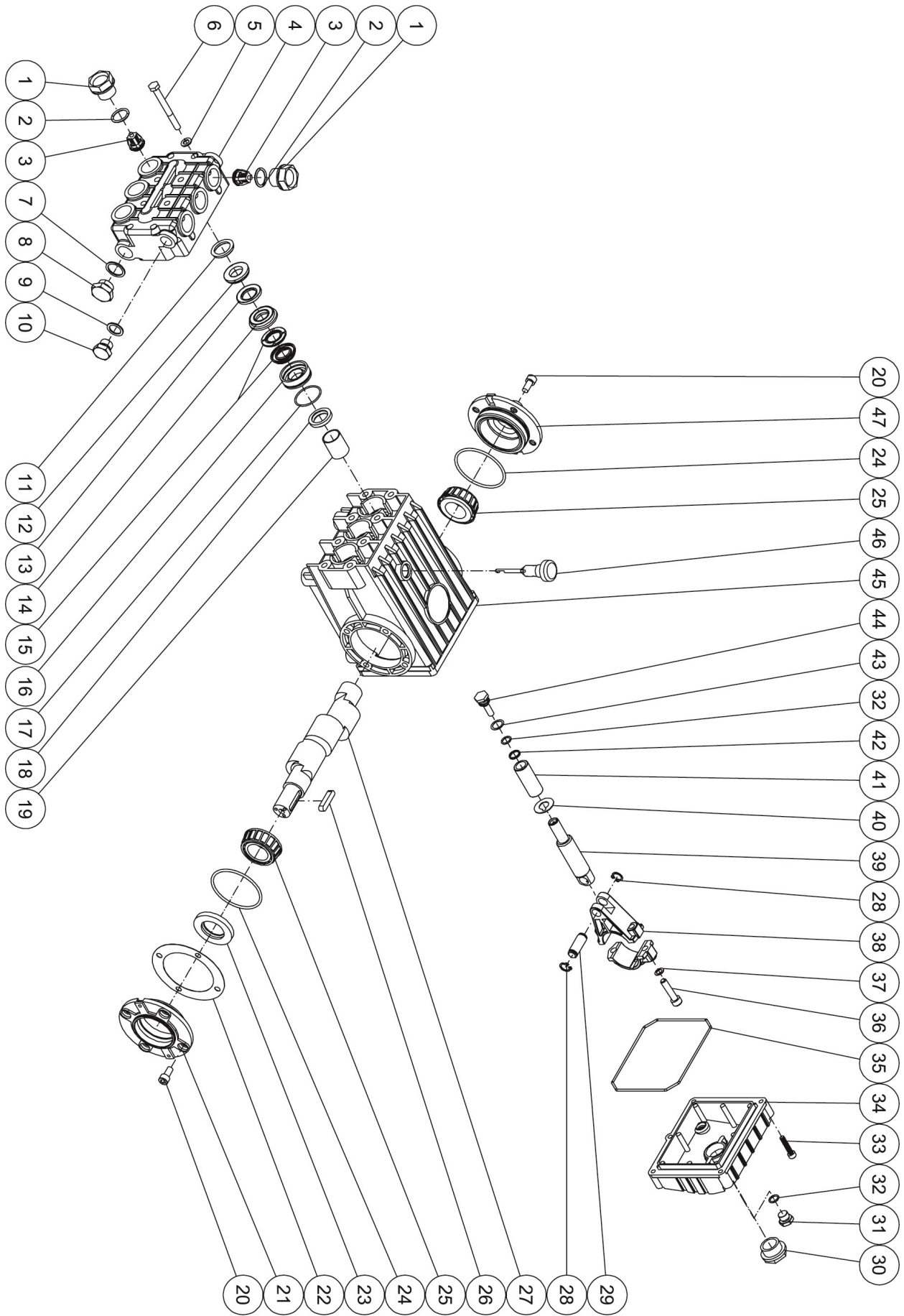


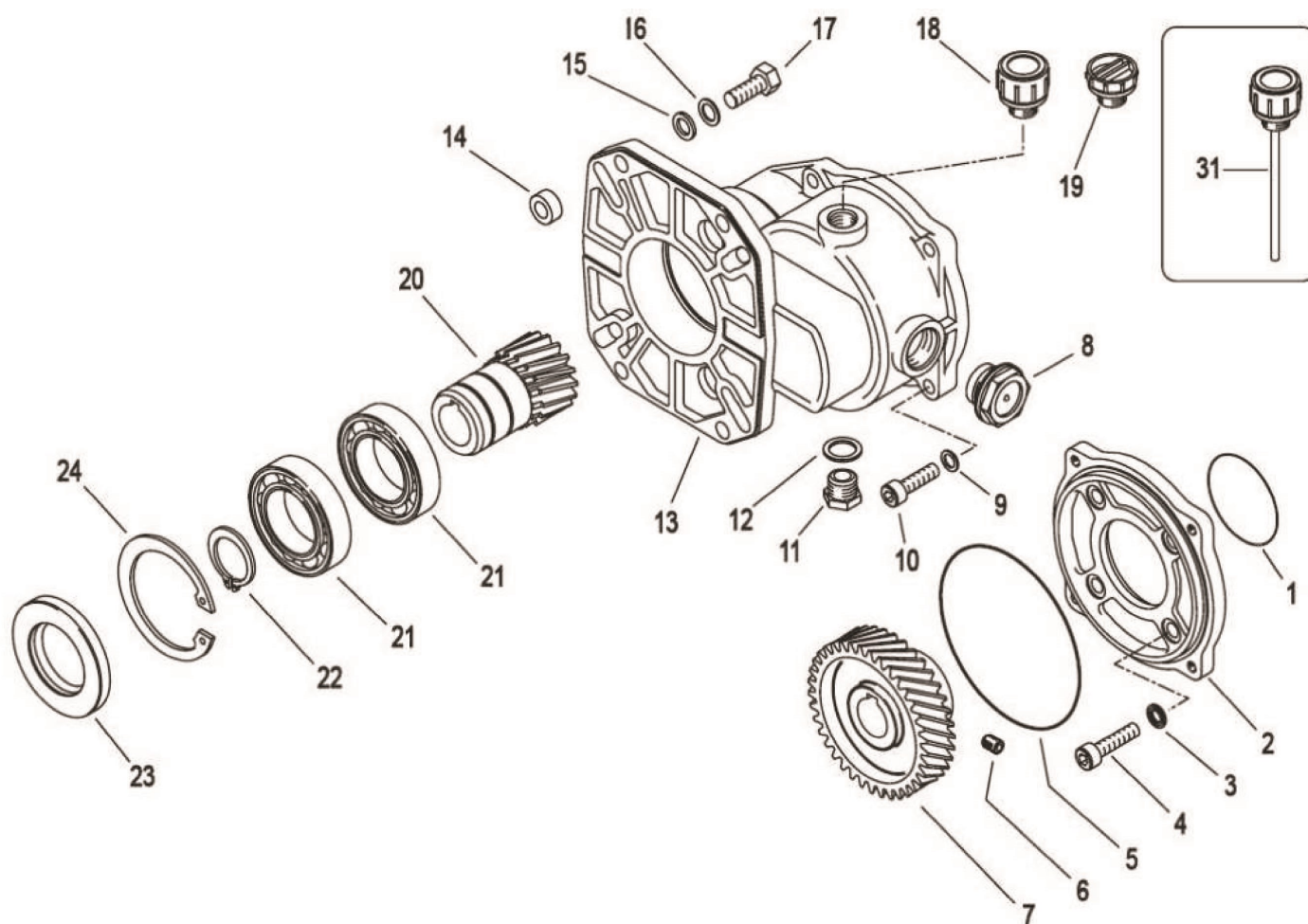
JM-3055 PUMP/GEARBOX PARTS LIST

ITEM	DESCRIPTION	PART #	QTY
1	PUMP	JM3-0202	1
2	GEARBOX	JM47-0032	1
3	VALVE CAP	JM46-1427	1

JM-3055 PUMP ASSEMBLY PARTS LIST
(Drawing on next page)

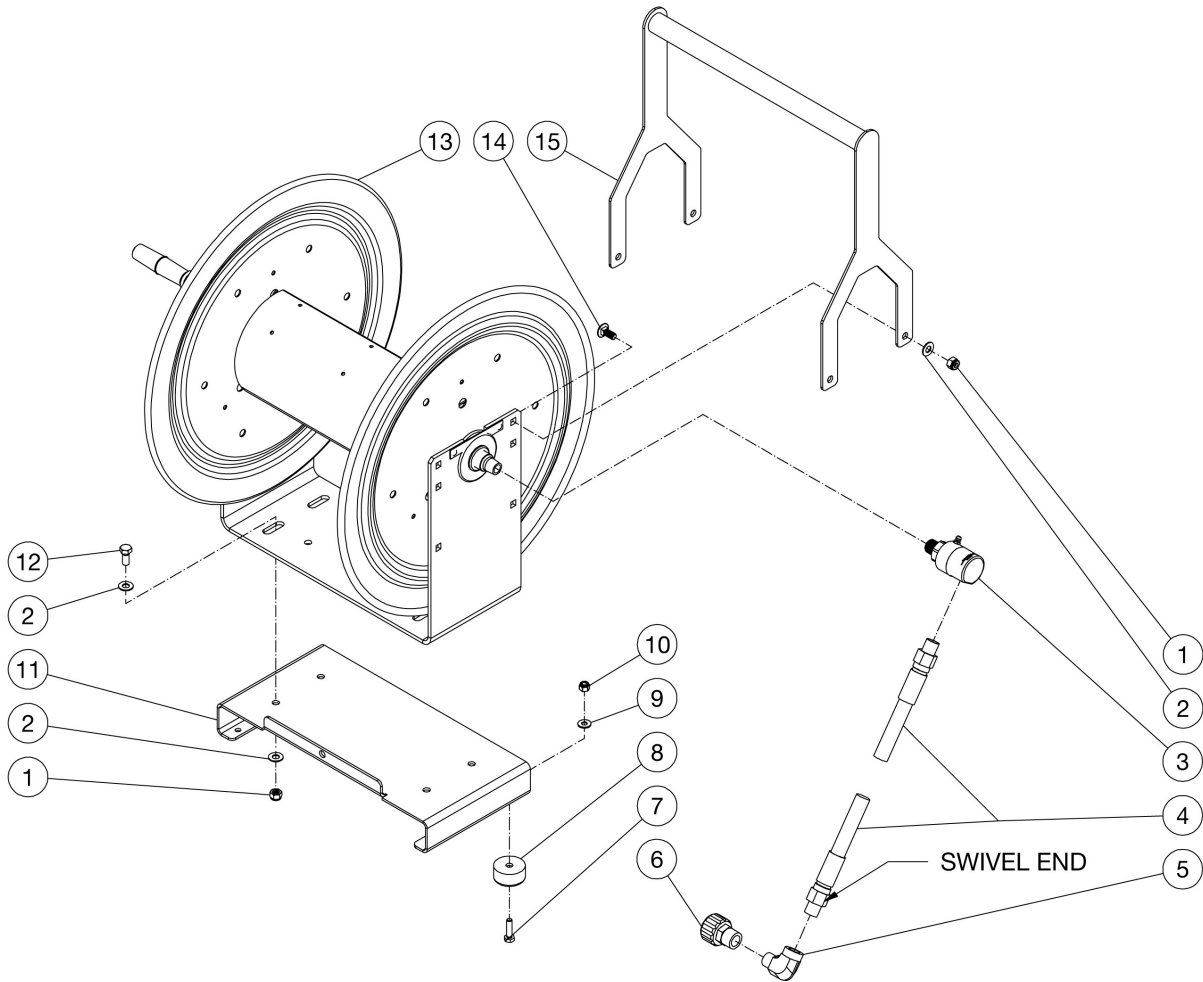
ITEM	DESCRIPTION	PART #	QTY	ITEM	DESCRIPTION	PART #	QTY
1	VALVE CAP	JM46-0889	6	27	CRANKSHAFT	JM46-0050	1
2	O-RING	JM25-0012	6	28	RETAINING RING	JM46-0103	6
3	VALVE ASSEMBLY	JM70-0009	6	29	CONNECTING ROD PIN	JM43-0032	3
4	MANIFOLD	JM46-0890	1	30	OIL LEVEL INDICATOR	JM46-0114	1
5	WASHER	JM28-1039	8	31	PLUG	JM39-0017	1
6	BOLT	JM27-8185	8	32	O-RING	JM25-0014	4
7	WASHER	JM28-1038	2	33	BOLT	JM27-8404	5
8	PLUG	JM39-0019	2	34	CRANKCASE OPEN COVER	JM46-0295	1
9	WASHER	JM28-1002	2	35	O-RING	JM25-0339	1
10	PLUG	JM39-0018	2	36	BOLT	JM27-8435	6
11	HEAD RING	JM70-0030	3	37	LOCKWASHER	JM29-0154	6
12	V-PACKING SUPPORT	JM26-0098	3	38	CONNECTING ROD	JM46-0051	3
13	O-RING	JM25-0207	3	39	PISTON ROD	JM46-0056	3
14	HIGH PRESSURE INTERMEDIATE SEAL RETAINER	JM46-0659	3	40	SLINGER WASHER	JM46-0146	3
15	LOW PRESSURE SEAL - 20mm	N/A SEP	3	41	PLUNGER	JM46-0052	3
16	LOW PRESSURE SEAL RETAINER	JM46-0057	3	42	BACK-UP RING	JM46-0109	3
17	O-RING	JM25-0015	3	43	WASHER	JM28-0400	3
18	OIL SEAL	JM26-0047	3	44	NUT / PISTON	JM46-0069	3
19	BUSHING	JM9-0029	3	45	CRANKCASE	JM46-0047	1
20	BOLT	JM27-8431	8	46	OIL DIP STICK	JM46-0144	1
21	CRANKCASE COVER	JM46-0296	1	47	CRANKCASE COVER	JM46-0336	1
22	SHIM	JM46-0113	1		KIT VALVES	JM70-0009	
23	OIL SEAL	JM26-0049	1		KIT HEAD RING	JM70-0030	
24	O-RING	JM25-0013	2		KIT INTERMEDIATE RETAINER	JM70-0148	
25	BEARING	JM48-0012	2		KIT V-PACKING	JM70-0147	
26	KEY	JM43-0048	1		KIT V-PACKING ASSEMBLY	JM852-0122	





JM-3055 GEARBOX PARTS LIST

ITEM	DESCRIPTION	PART #	QTY	ITEM DESCRIPTION	PART #	QTY	
1	O-RING	JM25-0158	1	14	SPACER	JM46-1474	4
2	PUMP FLANGE	JM46-1472	1	15	WASHER	JM28-0139	4
3	SEALING WASHER	JM28-0137	4	16	LOCKWASHER	JM29-0155	4
4	SCREW	JM27-8434	4	17	SCREW	JM27-0119	4
5	O-RING	JM25-0650	1	18	OIL PLUG VENTED	JM46-1475	1
6	SET SCREW	JM27-9606	1	19	OIL PLUG NON-VENTED	JM46-1476	1
7	RING GEAR	JM47-0036	1	20	PINION GEAR	JM47-0038	1
8	OIL SIGHT GLASS	JM46-1473	1	21	BALL-BEARING	JM48-0092	1
9	LOCKWASHER	JM29-0154	4	22	SNAP RING	JM46-1477	1
10	SCREW	JM27-8433	4	23	SEAL RING	JM26-0380	1
11	PLUG	JM39-0205	1	24	SNAP RING	JM46-1478	1
12	WASHER	JM28-0138	1	31	OIL DIPSTICK	JM46-1479	1
13	GEARBOX CASE	JM47-0037	1				



JM-3055 HOSE REEL PARTS LIST

ITEM	DESCRIPTION	PART #	QTY	ITEM	DESCRIPTION	PART #	QTY
1	LOCKNUT	JM30-0157	8	9	WASHER	JM28-0002	4
2	WASHER	JM28-0003	12	10	LOCKNUT	JM30-0155	4
3	3/8" SWIVEL	JM24-0362	1	11	HOSE REEL STAND	JM20-1221A01	1
4	HOSE	JM15-0311	1	12	BOLT	JM27-0066	4
5	ELBOW	JM24-0105	1	13	HOSE REEL	JM50-0221	1
6	SCREW COUPLER	JM23-0490	1	14	CARRIAGE BOLT	JM31-0046	4
7	BOLT	JM27-0016	4	15	HOSE REEL HANDLE	JM7-0273A18	1
8	ISOLATOR	JM14-0069	4				

DATE
 08/05/2015
 01/29/2019
 04/02/2020

SERIAL # BREAK
 28003283
 28006259

REASON FOR CHANGE
 Unloader change, Ball Valve Change
 Changed Hose Reel
 Strainer and detergent hose combined into 19-0233

General Wire Spring Co,
 1101 Thompson Avenue
 McKees Rocks, PA 15136
 412-771-6300 www.drainbrain.com