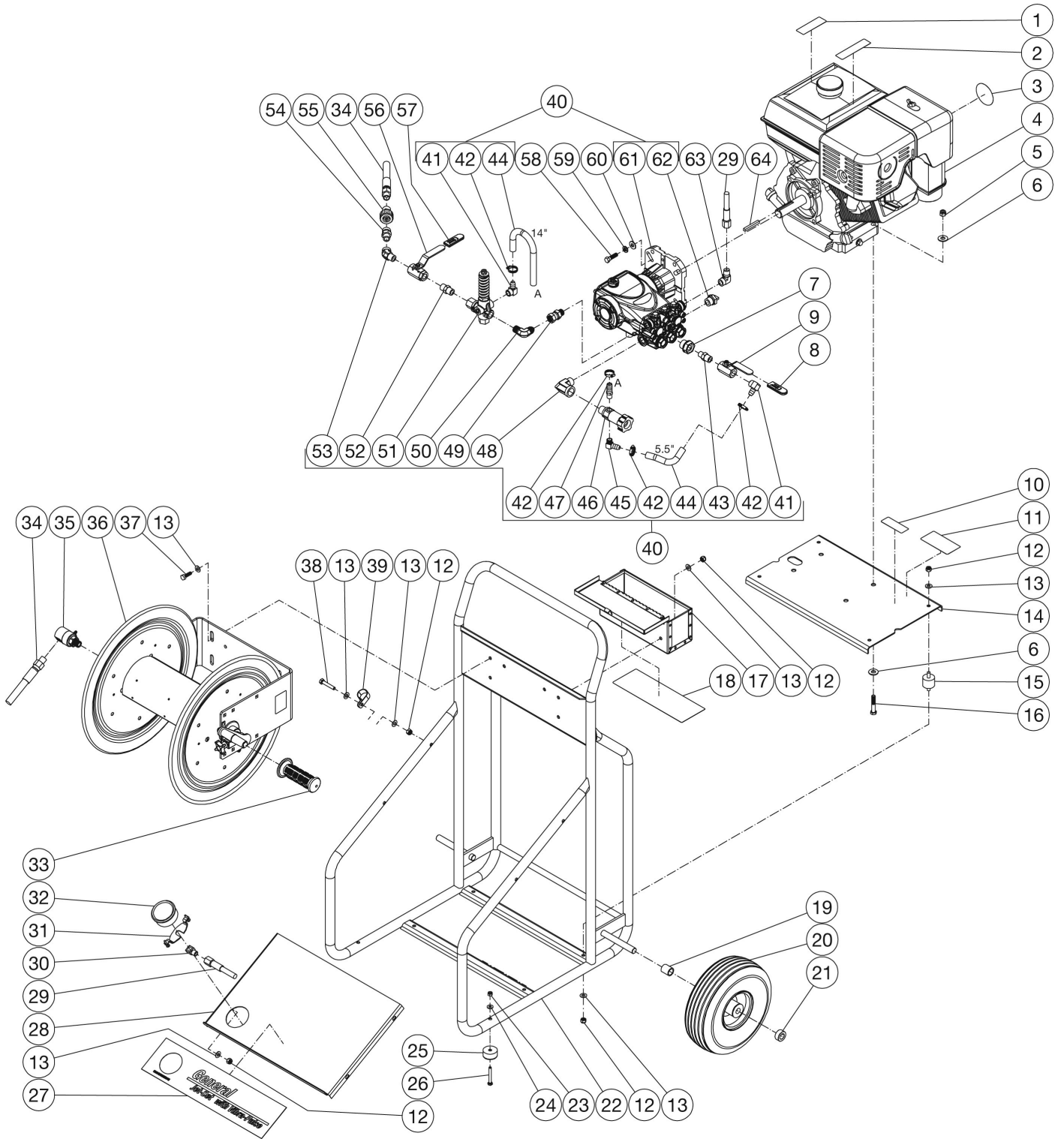


JM-2900 PARTS LIST

ITEM	DESCRIPTION	PART #	QTY	ITEM	DESCRIPTION	PART #	QTY
1	DECAL - RISK OF FIRE (SEE JM71-0002)	N/A	1	32	PRESSURE GAUGE	JM22-0465	1
2	DECAL - RISK OF BURNS (SEE JM71-0002)	N/A	1	33	HANDLE GRIP	JM7-0059	1
3	DECAL - REWIND GPC (MITM)	N/A	1	34	HIGH PRESSURE HOSE	JM15-0312	1
4	ENGINE - HONDA	JM1-0086	1	35	3/8" SWIVEL	JM24-0362	1
-	ENGINE - MITM	JM1-0199	1	36	HOSE REEL	JM50-0221	1
5	LOCKNUT	JM30-0159	4	37	BOLT	JM27-0067	5
6	WASHER	JM28-0023	8	38	BOLT	JM27-0070	4
7	VALVE CAP	JM46-1427	1	39	CLIP	JM33-0291	1
8	HANDLE GRIP	JM7-0227	1	40	PUMP W/ EXTERNAL BYPASS	JM851-0427	1
9	BALL VALVE	JM22-0494	1	41	ELBOW	JM23-0050	2
10	DECAL - PROP 65	N/A	1	42	HOSE CLAMP	JM42-0011	4
11	DECAL - SILVER STICKER	N/A	1	43	NIPPLE	JM24-0146	1
12	LOCKNUT	JM30-0157	17	44	HOSE *(TWO FEET REQUIRED)	JM15-0007	1
13	WASHER	JM28-0003	26	45	ELBOW	JM23-0119	1
14	ISOLATION PLATE	JM5-0308A64	1	46	FILTER	JM19-0207	1
15	ISOLATOR	JM14-0097	4	47	HOSE BARB	JM23-0120	1
16	BOLT	JM27-0121	4	48	ELBOW	JM24-0006	1
17	COMPONENT TOOL BOX	JM20-1213A64	1	49	SWIVEL	JM24-0037	1
18	DECAL - WARNING/OPERATION (SEE JM71-0002)	N/A	1	50	ELBOW	JM24-0092	1
19	SPACER	JM62-0188	2	51	UNLOADER	JM8-0634	1
20	WHEEL	JM14-0130	2	52	NIPPLE	JM24-0010	1
21	COLLAR	JM33-0351	2	53	ELBOW	JM24-0042	1
22	FRAME	JM5-0303A64	1	54	SCREW NIPPLE	JM23-0493	1
23	LOCKNUT	JM30-0155	2	55	SCREW COUPLER	JM23-0490	1
24	WASHER	JM28-0002	2	56	BALL VALVE	JM22-0461	1
25	ISOLATOR	JM14-0069	2	57	HANDLE GRIP	JM7-0226	1
26	BOLT	JM27-0020	2	58	BOLT	JM27-0118	4
27	DECAL - MARKETING	N/A	1	59	LOCKWASHER	JM29-0008	4
28	GAUGE PANEL	JM20-1217A64	1	60	WASHER	JM28-0022	4
29	HIGH PRESSURE HOSE	JM15-0309	1	61	PUMP	JM3-0467	1
30	ELBOW	JM23-0014	1	62	RELIEF VALVE	JM22-0005	1
31	U CLAMP	JM13-0211	1	63	ELBOW	JM24-0004	1
				64	KEY	JM43-0078	1
				-	DECAL SET	JM71-0002	1
					*MUST ORDER IN ONE FOOT LENGTHS		

DATE	SERIAL # BREAK	REASON FOR CHANGE
06/12/2018	28005527	Main unit assembly and pump change
01/29/2019	28006259	Changed hose reel
08/15/2022	28009478	Pump change

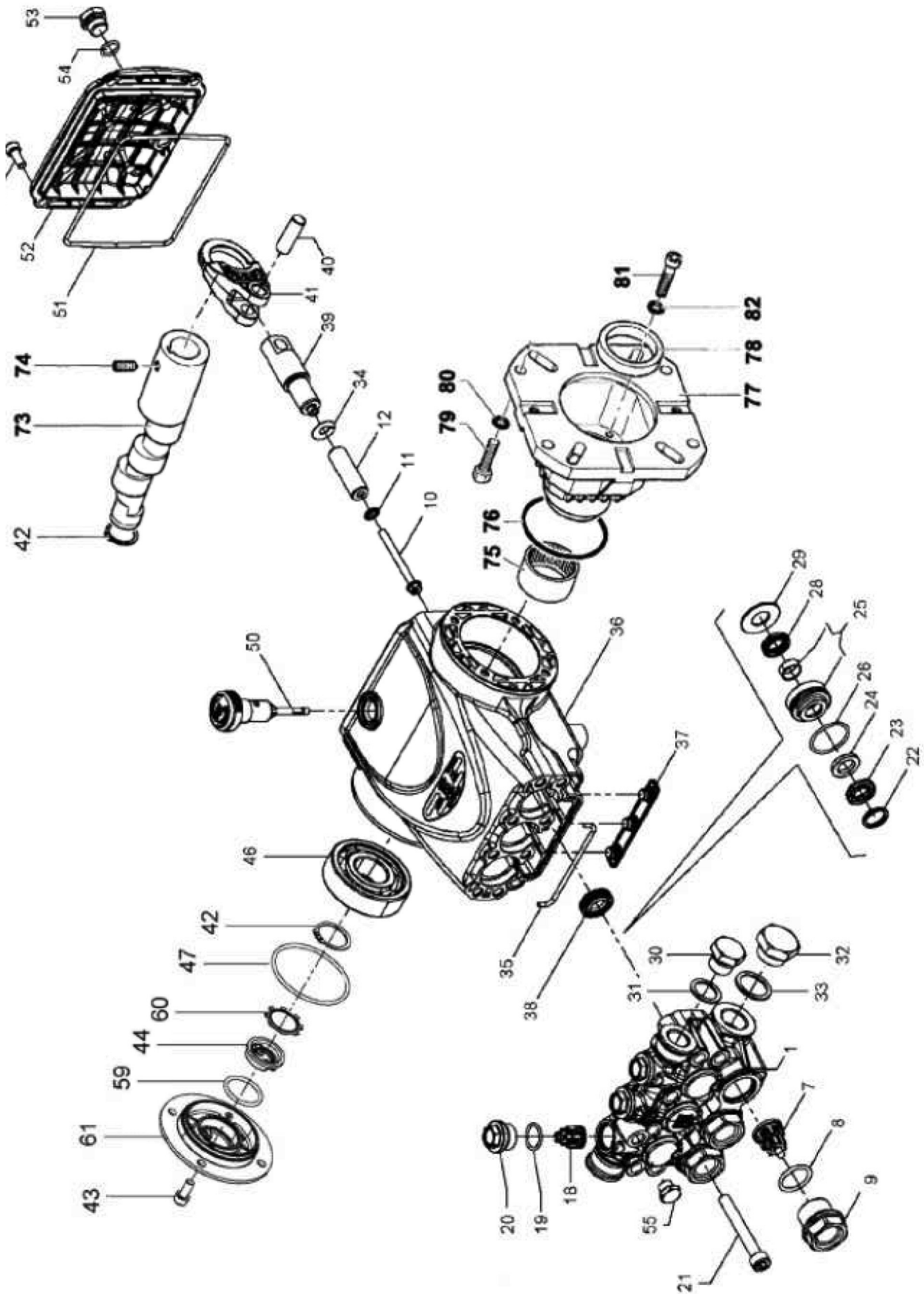


JM-2900 PUMP ASSEMBLY PARTS LIST

ITEM	DESCRIPTION	PART #	QTY	ITEM	DESCRIPTION	PART #	QTY
1	MANIFOLD	N/A	1	36	CRANKCASE	46-1733	1
7	VALVE ASSEMBLY	70-0693	3	37	DRIP COVER	46-1734	1
8	O-RING (SEE KIT 70-0694)	25-0745	3	38	OIL SEA (SEE KIT 70-0695)	26-0446	3
9	VALVE CAP (SEE KIT 70-0694)	39-0071	3	39	PISTON GUIDE	46-1731	1
10	PLUNGER BOLT	27-0907	3	40	PISTON PIN	43-0079	3
11	WASHER	28-0071	3	41	CONNECTING ROD	46-1730	3
12	PLUNGER	46-1881	3	42	STOP RING	46-0104	2
18	VALVE ASSEMBLY	70-0693	3	43	SCREW	27-8401	12
19	O-RING (SEE KIT 70-0694)	25-0159	3	44	OIL LEVEL INDICATOR	46-1725	1
20	OUTLET VALVE CAP (SEE KIT 70-0694)	46-1882	3	46	BEARING	48-0093	1
21	SCREW	27-8439	8	47	O-RING	25-0158	1
22	HEAD RING (SEE KIT 70-0755 OR 70-0758)	46-1883	3	50	OIL DIPSTICK	46-1727	1
23	PACKING (SEE KIT 70-0755 OR 70-0758)	46-1884	3	51	O-RING	25-0713	1
24	ANTI-EXT. RING (SEE KIT 70-0755 OR 70-0758)	SEE KIT	3	52	REAR COVER	46-1729	1
25	INTERMED. RING (SEE KIT 70-0755)	46-1886	3	53	PLUG	39-0017	1
26	O-RING (SEE KIT 70-0755 OR 70-0758)	25-0744	3	54	O-RING	25-0310	1
28	SEAL (SEE KIT 70-0755 OR 70-0758)	26-0445	3	55	PLUG	39-0032	1
29	SUPPORT RING (SEE KIT 70-0755)	28-1071	3	59	O-RING	25-0743	1
30	PLUG	39-0018	1	60	STOP RING	46-1726	1
31	GASKET	28-0079	1	61	SIDE COVER	46-1724	1
32	PLUG	39-0019	1	73	CRANKSHAFT	N/A	1
33	GASKET	46-1402	1	74	SET SCREW	27-1412	1
34	WASHER	28-0070	3	75	NEEDLE BEARING	48-0040	1
35	GASKET	26-0416	1	76	O-RING	25-0060	1
				77	FLANGE	38-0038	1
				78	OIL SEAL	26-0415	1
				79	SCREW	46-0575	4
				80	WASHER	N/A	4
				81	SCREW	27-8404	4
				82	WASHER	28-0072	4

REPLACEMENT KITS

KIT #	DESCRIPTION
70-0693	VALVE (INC. 6 OF 7, 18)
70-0694	VALVE PLUG (INC. 6 OF 8, 9, 19, 20)
70-0695	OIL SEAL (INC. 3 OF 38)
70-0755	HOT PACK (INC. 22, 23, 24, 25, 26, 28, 29)
70-0758	PACKINGS (INC. 3 OF 22, 23, 24, 26, 28)



**General Wire Spring Co,
1101 Thompson Avenue
McKees Rocks, PA 15136
412-771-6300 www.drainbrain.com**