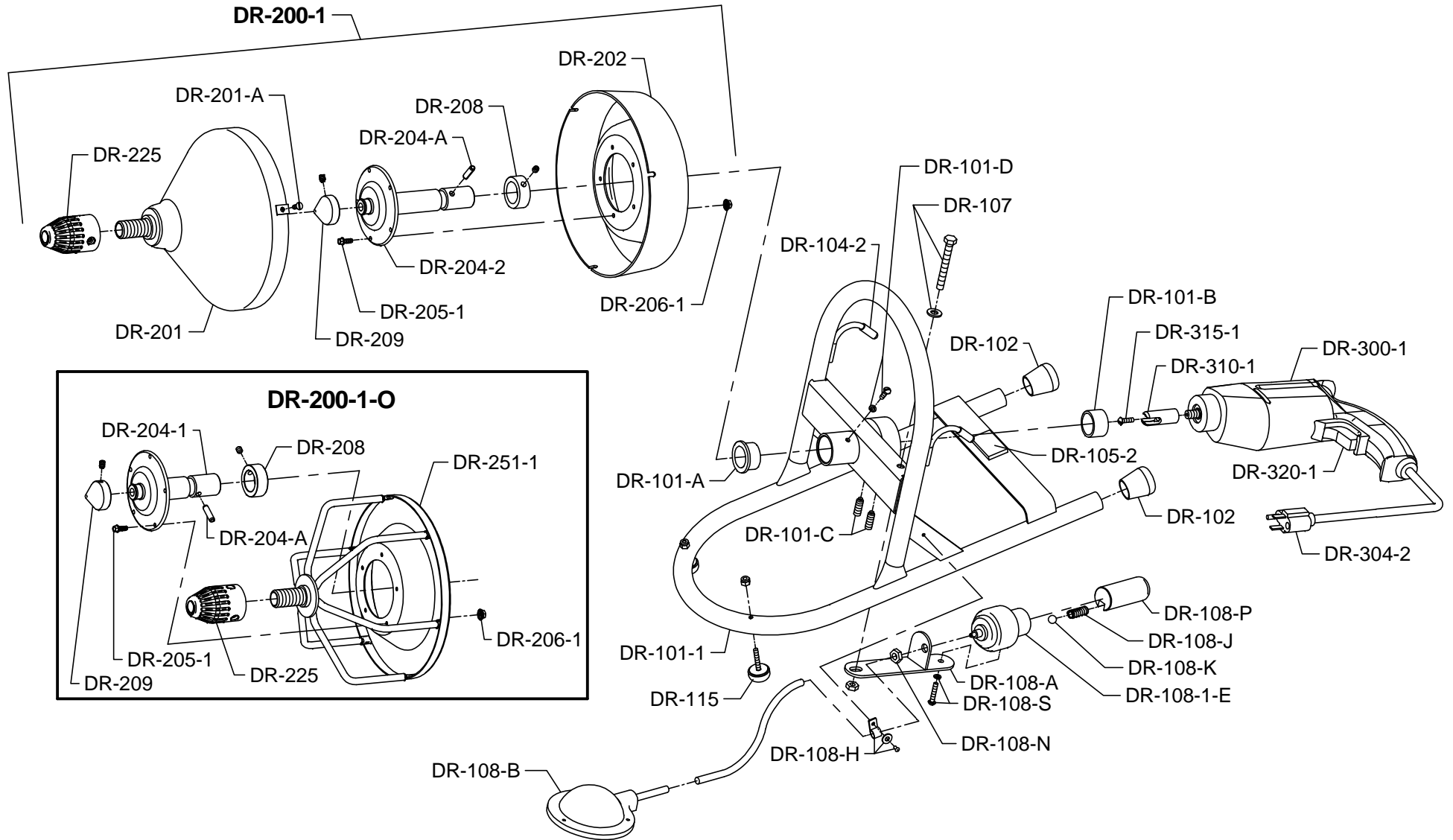


## DRAIN-ROOTER PARTS LIST

ITEM NO.	CATALOG NO.	DESCRIPTION	ITEM NO.	CATALOG NO.	DESCRIPTION
168610	DR-100-1	Frame Complete for Skil Motor #6355-GWS	168715	DR-200-1	Container Complete for Skil Motor
168620	DR-101-1	Frame Only for Skil Motor #6355-GWS	168723	DR-201	Container Front w/Spindle
168625	DR-101-A	Front Bushing	168725	DR-201-A	Screws & Clips (3)
157050	DR-101-B	Rear Bushing	168730	DR-202	Container Back
157055	DR-101-C	Bronze Tip Set Screws (2)	168740	DR-204-2	Hub w/Shaft for Skil Motor #6355-GWS (Closed Drum)
157057	DR-101-D	Shaft Retaining Screw w/Lock Washer	168742	DR-204-A	Roll Pin
168650	DR-102	Rubber Leg Tip (2)	168746	DR-205-1	Screws for Hub (5)
157080	DR-104-2	Rubber Cord Wrap Tips (2)	168749	DR-206-1	Flange Lock Nuts for Hub (5)
157085	DR-105-2	Foam Pad	157235	DR-208	Collar w/Set Screw
168668	DR-107	Nut, Bolt & Washer for Actuator Bracket	157237	DR-209	Bevelled Collar w/Set Screw
168675	DR-108-1	Switch Actuator Assy. for Skil Motor	168760	DR-225	Jacobs Chuck
168677	DR-108-A	Switch Support Bracket	168775	DR-200-1-O	Open Cage for Skil Motor
168680	DR-108-B	Foot Pedal & Hose	168740	DR-204-1	Hub for Skil Motor (Open Drum)
168685	DR-108-C	Hose Clamp	168785	DR-251-1	Open Drum Cage Only for Skil Motor
168696	DR-108-1-E	Switch Actuator w/Cylinder for Skil Motor	168806	DR-300-1	Skil Motor Assembly
168706	DR-108-H	Cord Clamp w/Screw	136030	DR-304-2	Power Cord for Skil Motor #6355-GWS
157125	DR-108-J	Spring	157275	DR-310-1	Drive Yolk
157130	DR-108-K	Ball	141165	DR-315-1	Reverse Thread Screw
157135	DR-108-N	Nut	136090	DR-320-1	Trigger Switch for Skil Motor #6355-GWS
157140	DR-108-P	Piston	130010	HECS	Handyelectric Cutter Set
157145	DR-108-S	Screw & Washer	120020	50HE1	Flexicore Cable, 1/4" x 50 ft. with EL Basin Head
157160	DR-115	Rubber Feet, Bolts, & Lock Nuts (2)	120100	50HE1-A-DH	Flexicore Cable, 5/16" x 50 ft. with Down Head
			120130	50HE1-AC	Flexicore Cable, 5/16" x 50 ft. with Female Connector
			120170	35HE2	Flexicore Cable, 3/8" x 35 ft. with Female Connector
			140840	BNDT	Band-It Splashguard

# DRAIN-ROOTER SCHEMATIC DIAGRAM



**IMPORTANT: When ordering, give Serial Number of Machine.**