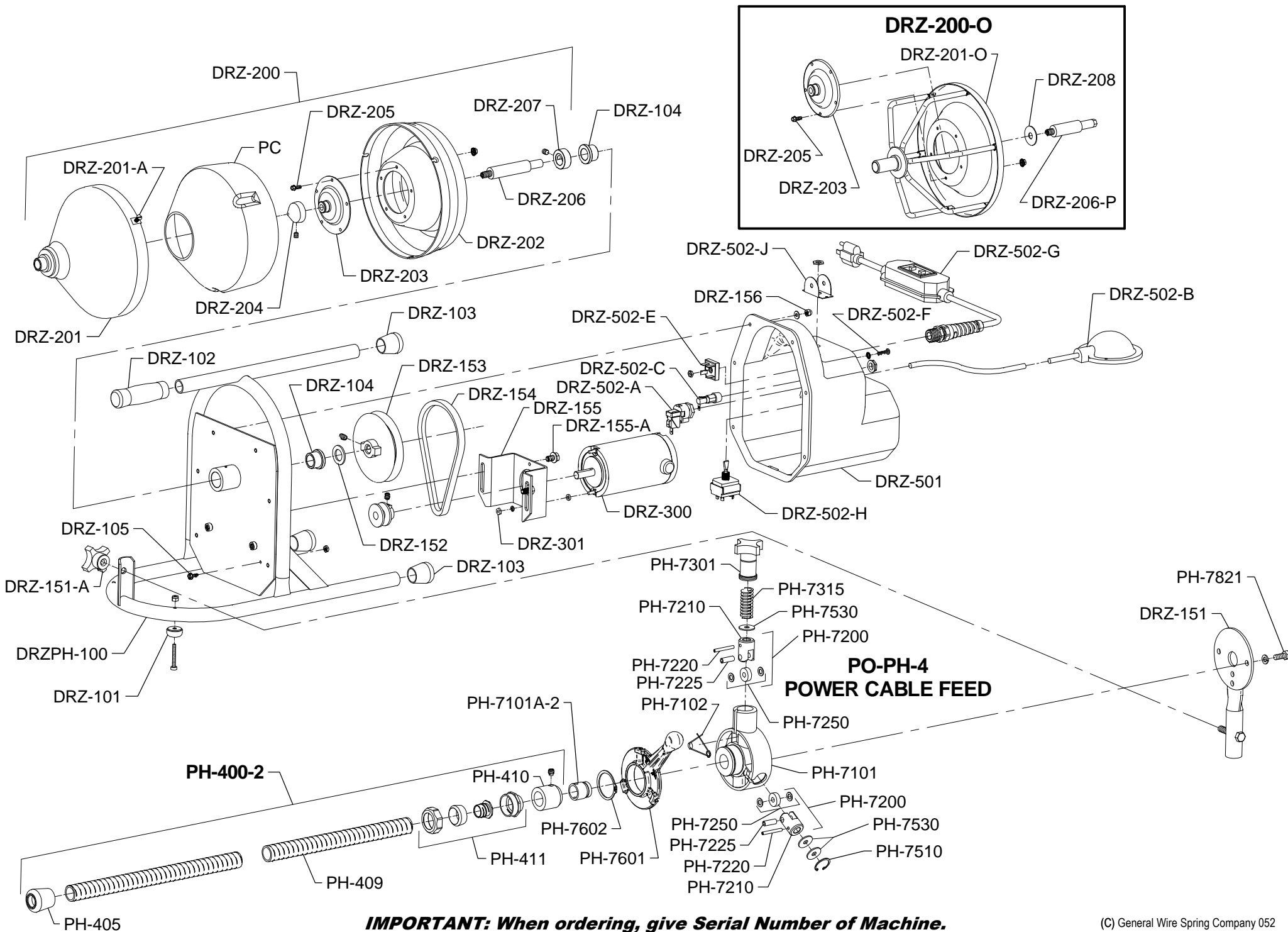


MODEL DRZ PH PARTS LIST

ITEM NO.	CATALOG NO.	DESCRIPTION	ITEM NO.	CATALOG NO.	DESCRIPTION
157600	DRZPH-100	Frame Complete for Power Cable Feed	158010	DRZ-500	Complete Motor Guard Assembly
157620	DRZ-101	Rubber Feet, Bolts, & Lock Nuts	158020	DRZ-501	Motor Guard Only
157630	DRZ-102	Handle Grip	158030	DRZ-502	Wiring Harness
157640	DRZ-103	Rubber Leg Tip	158040	DRZ-502-A	Power Switch Diaphragm
157650	DRZ-104	Flanged Bushings	158050	DRZ-502-B	Foot Pedal w/Hose
157660	DRZ-105	Motor Ground Screw & Nut	158060	DRZ-502-C	Fuse Holder w/Fuse
157670	DRZ-151	Front Post	158070	DRZ-502-D	Fuse
157680	DRZ-151-A	Front Post Knob	158090	DRZ-502-E	Rectifier
157730	DRZ-152	Thrust Washer	158100	DRZ-502-F	Rectifier Nut, Screw, & Washer
157740	DRZ-153	4.5" Pulley	158110	DRZ-502-G	10' Power Cord w/GFCI
157750	DRZ-154	V-Belt	158120	DRZ-502-H	Switch
157760	DRZ-155	Motor Mount Bracket	158130	DRZ-502-J	Switch Guard
157770	DRZ-155-A	Motor Mount Bracket Screws	158150	PO-PH-4	Variable Speed Cable Feed
157780	DRZ-156	Acorn Nuts and Washers	157410	PH-7101	Feed Body
157790	DRZ-200	Metal Drum Assembly for Power Cable Feed	157417	PH-7101-A-2	Spout (Threaded)
157810	DRZ-201	Metal Drum Front	157420	PH-7102	Lifting Spring
157820	DRZ-201-A	Screws and Clips for Metal Drum	157425	PH-7200	Feed Roller Assembly
157850	DRZ-202	Metal Drum Rear	157430	PH-7210	Carrier Only
157870	DRZ-203	Drum Hub	157435	PH-7220	Swing Pin
157880	DRZ-204	Bevelled Collar w/Set Screw	157440	PH-7225	Roller Shaft
157890	DRZ-205	Screws and Nuts for Hub	157445	PH-7250	Feed Roller
157690	DRZ-206	Drum Shaft for Metal Drum	157450	PH-7301	Feed Pressure Knob Assembly
157710	DRZ-207	Collar w/Set Screw	157455	PH-7315	Pressure Spring
120500	PC	Plastic Cartridge	157465	PH-7510	Bottom Assembly Snap Ring
157930	DRZ-200-O	Open Drum Cage Assembly for Power Cable Feed	157470	PH-7530	Bottom Assembly Thrust Washers (2)
157950	DRZ-201-O	Open Drum Cage Only for Power Cable Feed	157475	PH-7601	Feed Control Disc with Lever & Knob
157970	DRZ-206-P	Drum Shaft for Plastic Drum & Open Drum Cage	157480	PH-7601-A	Lever and Knob
157980	DRZ-208	Fender Washer	157485	PH-7602	Control Disc Retaining Snap Ring
157990	DRZ-300	Motor	157520	PH-7821	Bolts & Washers (2)
158000	DRZ-301	Motor Nuts, Lock Washers, and Spacers	136150	PO-PH-703	Set of Feed Rollers Assemblies (3)
158140	PH-400-2	Guide Hose Assembly	132210	DRZ-DECAL	Set of Safety Decals
157310	PH-405	Rubber Tip	130010	HECS	Handylectric Cutter Set
157317	PH-409	Guide Tube Hose Only	120020	50HE1	Flexicore Cable, 1/4" x 50 ft. with EL Basin Head
157320	PH-410	Guide Tube Adapter w/Set Screw	120100	50HE1-A-DH	Flexicore Cable, 5/16" x 50 ft. with Down Head
157323	PH-411	Guide Tube Connector	120130	50HE1-AC	Flexicore Cable, 5/16" x 50 ft. with Female Connector
			120170	35HE2	Flexicore Cable, 3/8" x 35 ft. with Female Connector
			140840	BNDT	Band-It Splashguard

MODEL DRZ-PH SCHEMATIC DIAGRAM



IMPORTANT: When ordering, give Serial Number of Machine.