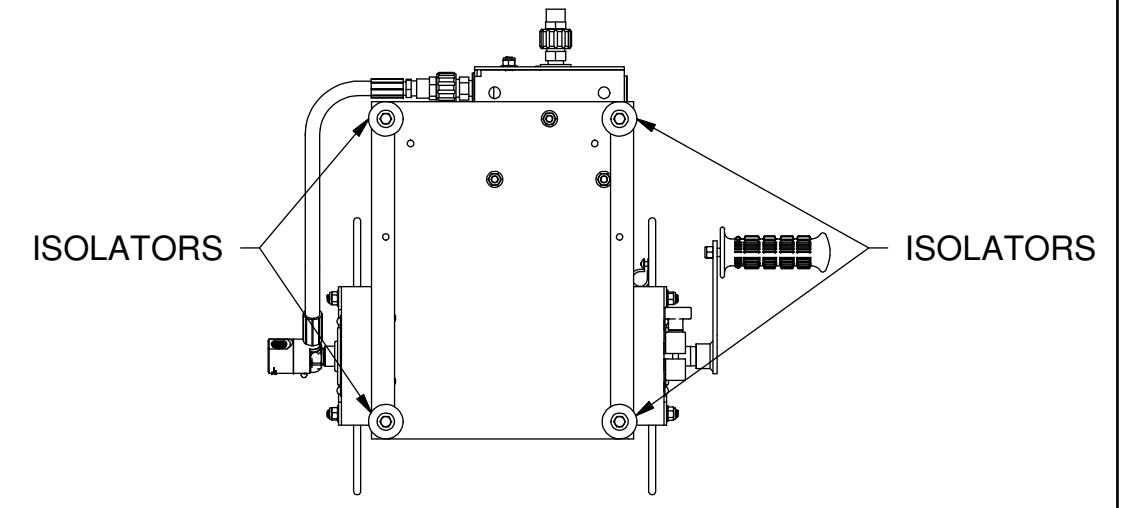


ITEM	PART #	DESCRIPTION	P/L	R/Q	QTY
1	23-0490	3/8" FNPT X M22 SCREW COUPLER			2
2	23-0493	3/8" MNPT X M22 SCREW NIPPLE			2
3	28-0008	WASHER-ZI SAE TYPE A 5/8"			3
4	34-2628	DECAL - DISCHARGE	N/A	X	1
5	28-0003	WASHER-ZI SAE TYPE A 5/16"			20
6	30-0157	HEX NYLON LOCKNUT-ZINC 5/16-18			12
7	34-2629	DECAL - INLET	N/A	X	1
8	20-1219A64	FOOT PEDAL COVER			1
9	23-0080	ADAPTER 3/8M X 3/8F BRASS			1
10	16-0485	GUN INSERT 3/8" NPT			1
11	23-0034	ELBOW 3/8M X 3/8F 90 STR BRASS			1
12	20-1220A01	FM1 - PEDAL			1
13	27-0067	BOLT - HHCS - ZI GR5 5/16-18 x 1"			7
14	27-0016	HHCS - ZI GR5 1/4-20X1			4
15	14-0069	ISOLATOR - Ø 1 1/2" x 3/4" TALL			4
16	20-1218A01	HOSE REEL MOUNTING PLATE			1
17	28-0002	WASHER-ZI SAE TYPE A 1/4"			5
18	30-0155	HEX NYLON LOCKNUT-ZINC 1/4-20			5
19	7-0059	HANDLE GRIP FIN 7/8ID X 4-3/4			1
20	34-3758	DECAL - PROP 65 COLOR	N/A		1
21	50-0220	HOSE REEL - 3/8" X 150'			1
22	23-0017	BUSHING 1/4F X 3/8M HEX BRASS			1
23	7-0274A18	HOSE REEL HANDLE SHORT			1
24	31-0046	CARRIAGE BOLT - 5/16-18 X 3/4			4
25	24-0362	SUPER SWIVEL-3/8"MNPTX3/8"FNPT		X	1
26	27-0089	HHCS-ZI GR5 5/16-18 X 6 1/2			1
27	14-0103	FUEL TANK ISOLATOR			1
28	27-0771	HSHCS-ZI 1/4-20 X 3/4			1
29	15-0257	HOSE 3/8X17" 3000PSI R1 BLACK			1
30	34-2627	DECAL - HM-200-W HANDY REEL	N/A	X	1
-	71-0006	DECAL SET/HM-200-W			1

BOXING:		
PART #	DESCRIPTION	QTY
35-0098	SHIPPING BOARD 18.63 X 22.5	1
41-0201	CARTON-PLAIN VACUUM	1



SCALE: NTS	DATE: 7/2/19	DRAWING SIZE: B	APPD:	DRAWN BY: JRC
AW-4900-0002 - HM-200-W ASSY				
DRAWING/PART NO: AW-4900-0002				