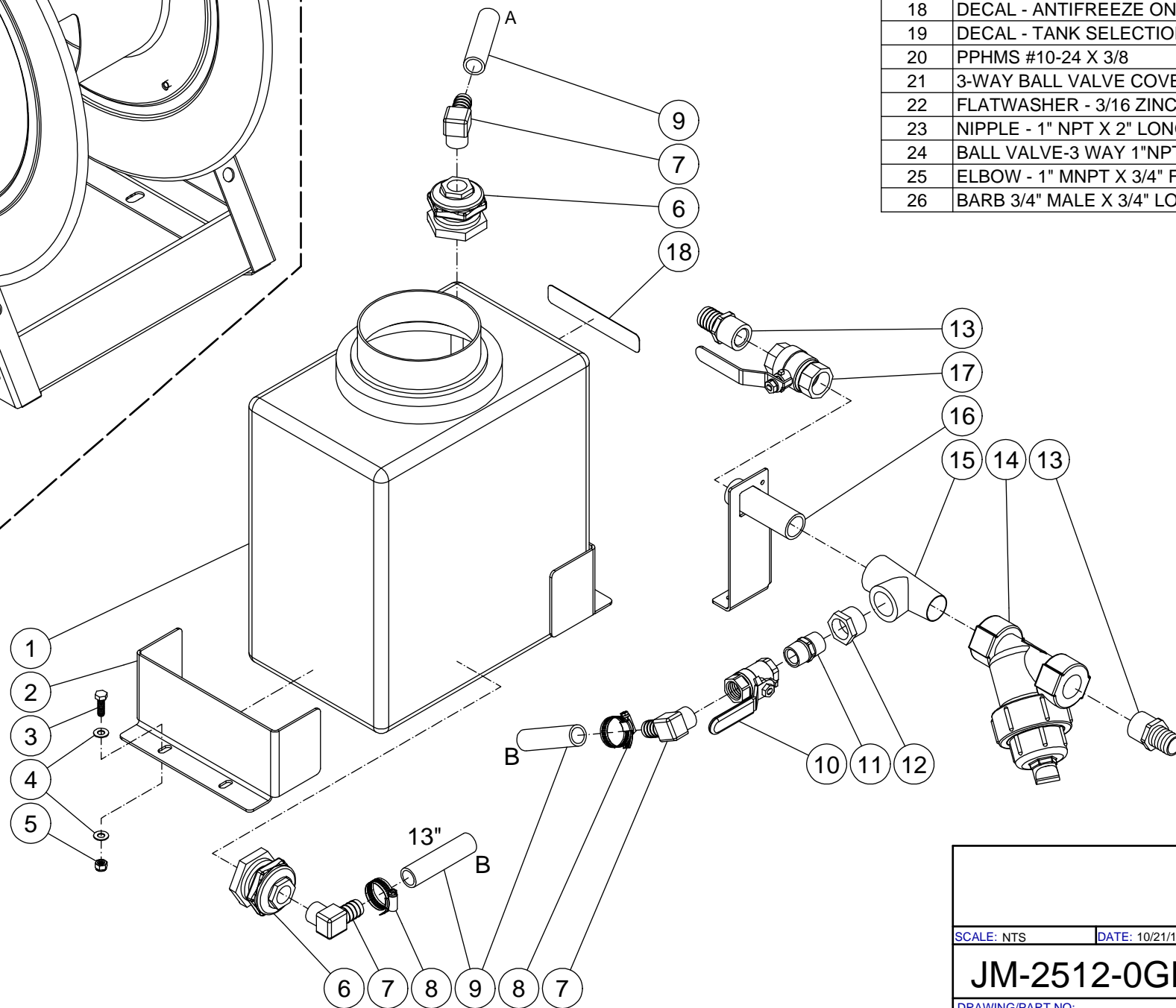
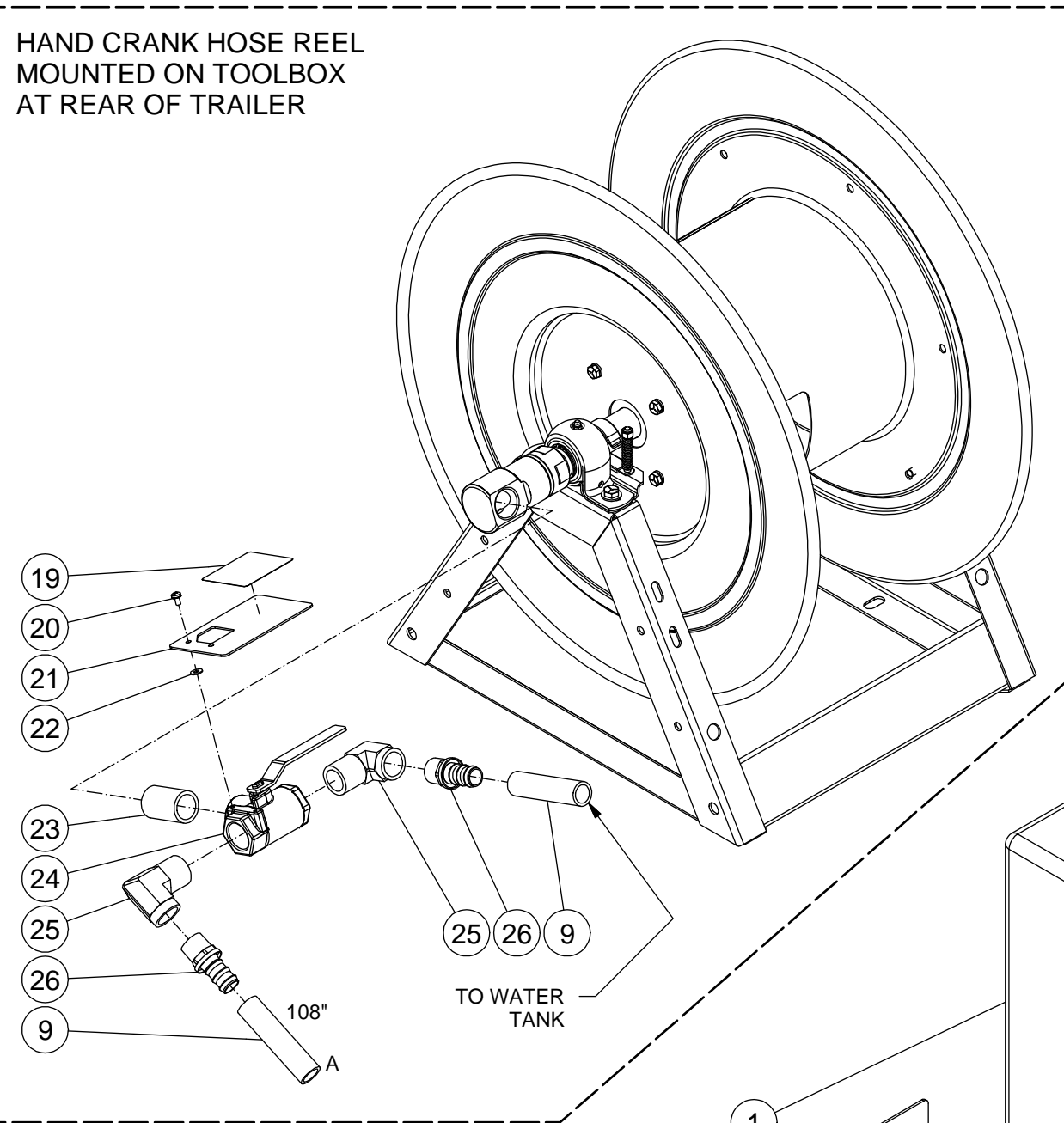


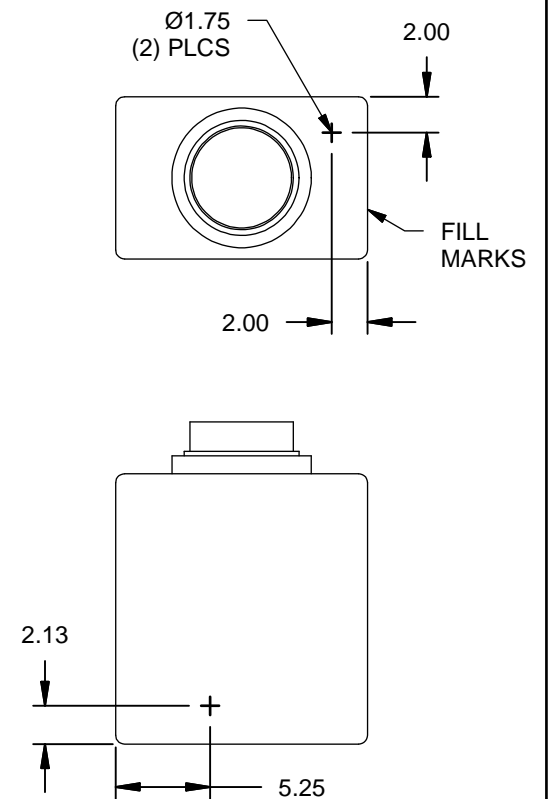
M:\Drawings\PRIVATE LABEL\GENERAL PIPE CLEANERS\JM-2512-0GH\JM-2512 - ANTIFREEZE PLUMBING.iam

NOTE: BOLTS (3), WASHERS (4), AND LOCKNUTS (5) ARE USED TO SECURE TANK BRACKETS TO TRAILER DECK

HAND CRANK HOSE REEL MOUNTED ON TOOLBOX AT REAR OF TRAILER



| ITEM | DESCRIPTION | PART # | P/L | R/Q | QTY |
|------|------------------------------------|------------|-----|-----|-----|
| 1 | TANK - 7 GALLON PLASTIC | 12-0235 | | | 1 |
| 2 | BRACKET - ANTIFREEZE TANK | 20-1259A18 | | | 2 |
| 3 | BOLT - HHCS - ZI GR5 5/16-18 x 1" | 27-0067 | | | 4 |
| 4 | WASHER-ZI SAE TYPE A 5/16" | 28-0003 | | | 8 |
| 5 | HEX NYLON LOCKNUT-ZINC 5/16-18 | 30-0157 | | | 4 |
| 6 | BULKHEAD FITTING 3/4 | 55-0010 | | | 2 |
| 7 | BARB - 3/4"MNPT X 3/4" BARB | 23-0482 | | | 3 |
| 8 | CLAMP WORM #20SS 3/4 - 1-1/2 | 42-0018 | | | 2 |
| 9 | HOSE - 3/4" ID CLEAR REINFORCED | 15-0304 | | ??? | 1 |
| 10 | BALL VALVE 3/4 - BRASS | 22-0279 | | | 1 |
| 11 | NIPPLE 3/4M X 3/4M HEX - BRASS | 23-0026 | | | 1 |
| 12 | REDUCER - 1"MNPT X 3/4"FNPT | 23-0473 | | | 1 |
| 13 | BARB 1MP X 1 HOSE - BRASS | 23-0091 | | X | 2 |
| 14 | FILTER 1" WYE IN LINE 80 MESH | 19-0247 | | X | 1 |
| 15 | TEE - 1" STREET GALVANIZED | 24-0117 | | | 1 |
| 16 | 1" PIPE WELDMENT | 20-0951A01 | | X | 1 |
| 17 | BALL VALVE 1"NPT BRASS STD | 22-0344 | | X | 1 |
| 18 | DECAL - ANTIFREEZE ONLY | 34-2648 | N/A | X | 1 |
| 19 | DECAL - TANK SELECTION | 34-2698 | N/A | X | 1 |
| 20 | PPHMS #10-24 X 3/8 | 27-9533 | | | 2 |
| 21 | 3-WAY BALL VALVE COVER | 20-1285A01 | | | 1 |
| 22 | FLATWASHER - 3/16 ZINC | 28-0001 | | | 2 |
| 23 | NIPPLE - 1" NPT X 2" LONG | 24-0324 | | | 1 |
| 24 | BALL VALVE-3 WAY 1"NPT BRONZE | 22-0321 | | | 1 |
| 25 | ELBOW - 1" MNPT X 3/4" FNPT | 24-0322 | | | 2 |
| 26 | BARB 3/4" MALE X 3/4" LOCK - BRASS | 23-0008 | | | 2 |



SCALE: NTS DATE: 10/21/11 DRAWING SIZE: B APPD: DRAWN BY: CH

JM-2512-0GH - ANTIFREEZE PLUMBING

DRAWING/PART NO:
JM-2512 - ANTIFREEZE PLUMBING

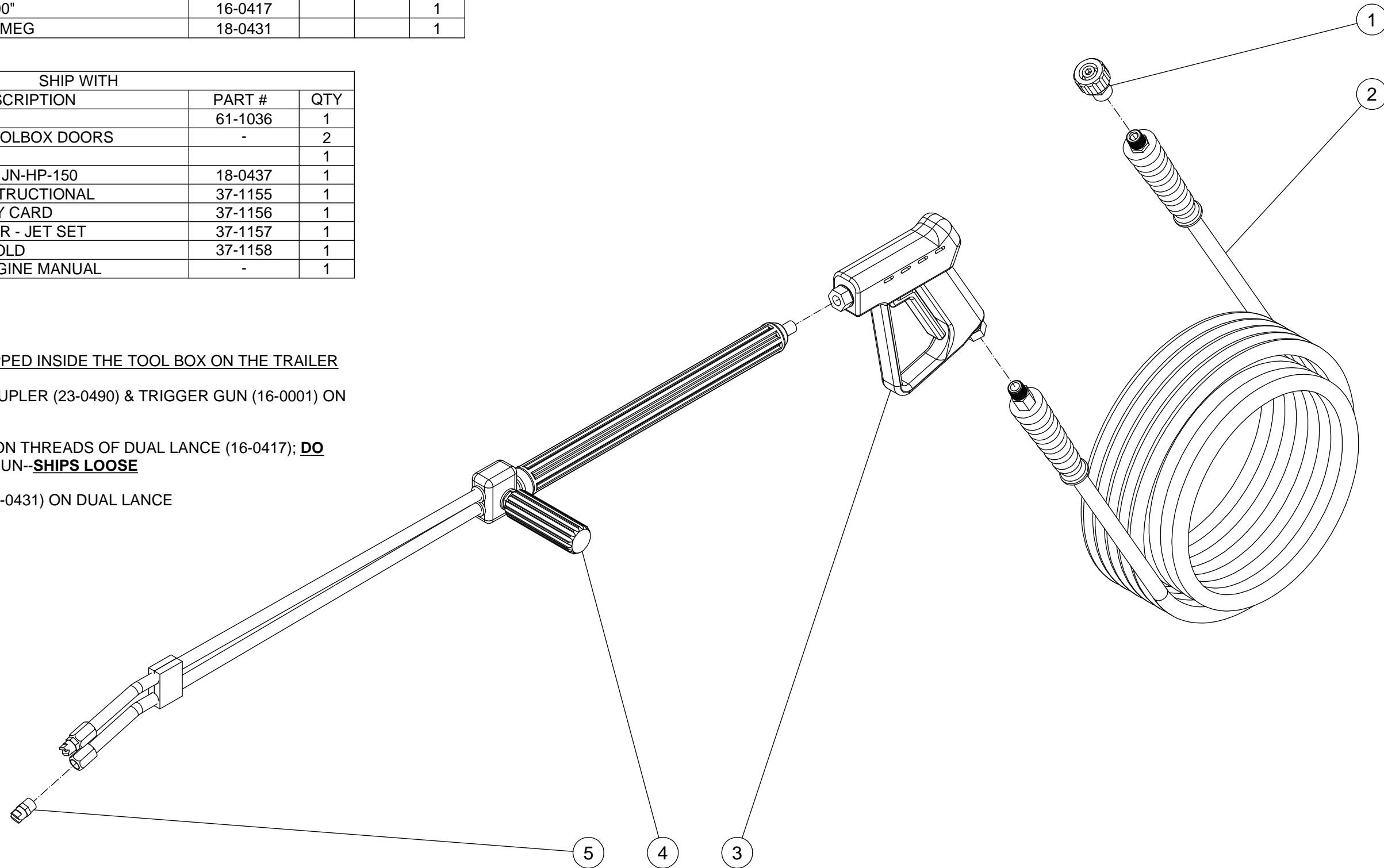
M:\Drawings\PRIVATE LABEL\GENERAL PIPE CLEANERS\JM-2512-0GHJM-2512 - GUN_WAND_HOSE ASSY.iam

| ITEM | DESCRIPTION | PART # | P/L | R/Q | QTY |
|------|-------------------------------|---------|-----|-----|-----|
| 1 | 3/8" FNPT X M22 SCREW COUPLER | 23-0490 | | | 1 |
| 2 | HOSE - 3/8 X 50' 4500 PSI | 15-0166 | | | 1 |
| 3 | TRIGGER GUN 4000 PSI | 16-0001 | | | 1 |
| 4 | DUAL LANCE - 48.00" | 16-0417 | | | 1 |
| 5 | NOZZLE 2514 1/4" MEG | 18-0431 | | | 1 |

| SHIP WITH | | | | |
|-----------|-----------------------------|---------|--|-----|
| ITEM | DESCRIPTION | PART # | | QTY |
| - | JACK ROD | 61-1036 | | 1 |
| - | KEYS SET FOR TOOLBOX DOORS | - | | 2 |
| - | JM-2512 MANUAL | | | 1 |
| - | NOZZLE SET - 1/2" JN-HP-150 | 18-0437 | | 1 |
| - | DVD - JETTER INSTRUCTIONAL | 37-1155 | | 1 |
| - | WARRANTY REPLY CARD | 37-1156 | | 1 |
| - | CATALOG STUFFER - JET SET | 37-1157 | | 1 |
| - | WARRANTY TRI-FOLD | 37-1158 | | 1 |
| - | HONDA GX690 ENGINE MANUAL | - | | 1 |

NOTES:

- ALL ITEMS ARE SHIPPED INSIDE THE TOOL BOX ON THE TRAILER
- INSTALL SCREW COUPLER (23-0490) & TRIGGER GUN (16-0001) ON HOSE ENDS
- PUT THREAD TAPE ON THREADS OF DUAL LANCE (16-0417); **DO NOT** INSTALL ONTO GUN--**SHIPS LOOSE**
- INSTALL NOZZLE (18-0431) ON DUAL LANCE

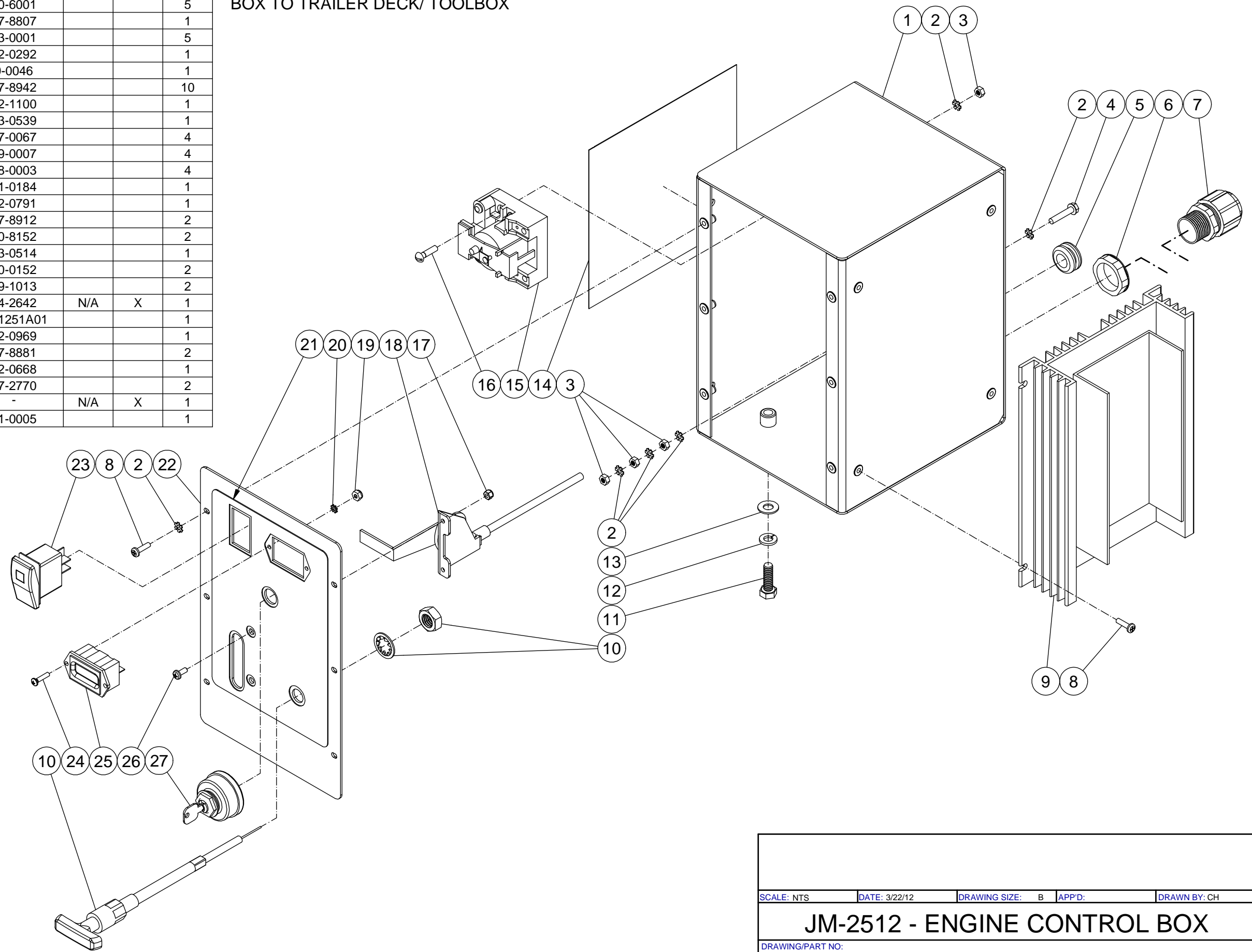


| | | | | |
|--|---------------|-----------------|-------|--------------|
| SCALE: NTS | DATE: 7/20/11 | DRAWING SIZE: B | APPD: | DRAWN BY: CH |
| JM-2512 - GUN/WAND/HOSE ASSY | | | | |
| DRAWING/PART NO: JM-2512 - GUN_WAND_HOSE ASSY | | | | |

M:\Drawings\PRIVATE LABEL\GENERAL PIPE CLEANERS\JM-2512-0GHJM-2512 - ENGINE CONTROL BOX.iam

| ITEM | DESCRIPTION | PART # | P/L | R/Q | QTY |
|------|-----------------------------------|------------|-----|-----|-----|
| 1 | ENGINE CONTROL BOX | 20-1250A01 | | | 1 |
| 2 | EXTERNAL TOOTH LOCKWASHER | 28-1009 | | | 12 |
| 3 | HEX NUT - M5 X 0.8 | 30-6001 | | | 5 |
| 4 | HHCS ZINC GR8.8 M5 - 0.80P x 25MM | 27-8807 | | | 1 |
| 5 | GROMMET 1/2 X 3/4 X 1/8 | 33-0001 | | | 5 |
| 6 | LOCKNUT ELECT 3/4" | 32-0292 | | | 1 |
| 7 | CORD RELIEF - 3/4" NPT .750 CORD | 9-0046 | | | 1 |
| 8 | PPHMS - ZINC #8-32 X 5/8 | 27-8942 | | | 10 |
| 9 | VARIABLE SPEED CONTROL - 12V DC | 32-1100 | | | 1 |
| 10 | THROTTLE CABLE - PUSH/PULL | 33-0539 | | | 1 |
| 11 | BOLT - HHCS - ZI GR5 5/16-18 x 1" | 27-0067 | | | 4 |
| 12 | LOCKWASHER-ZINC MED 5/16 | 29-0007 | | | 4 |
| 13 | WASHER-ZI SAE TYPE A 5/16" | 28-0003 | | | 4 |
| 14 | ENVELOPE-ZIPLOCK/PLASTIC 6X6 | 41-0184 | | | 1 |
| 15 | RELAY CONTROL 12 VDC | 32-0791 | | | 1 |
| 16 | PRHMS - #10-32 X 3/4 ZINC | 27-8912 | | | 2 |
| 17 | HEX NYLON LOCKNUT - SS M4 - .7P | 30-8152 | | | 2 |
| 18 | THROTTLE CONTROL | 33-0514 | | | 1 |
| 19 | HEX NYLON LOCKNUT-ZI #6-32 | 30-0152 | | | 2 |
| 20 | EXTERNAL LOCKWASHER #6-32 | 29-1013 | | | 2 |
| 21 | DECAL - ENGINE CONTROLS | 34-2642 | N/A | X | 1 |
| 22 | ENGINE CONTROL PANEL | 20-1251A01 | | | 1 |
| 23 | SWITCH - ROCKER W/ LAMP 12V | 32-0969 | | | 1 |
| 24 | PPHMS-BL OXIDE #6-32X3/4 | 27-8881 | | | 2 |
| 25 | HOUR METER / DIGITAL | 32-0668 | | | 1 |
| 26 | PPHMS M4-0.7X16MM - SS | 27-2770 | | | 2 |
| 27 | KEY SWITCH (SEE ENGINE BREAKDOWN) | - | N/A | X | 1 |
| - | DECAL SET - JM-2512 | 71-0005 | | | 1 |

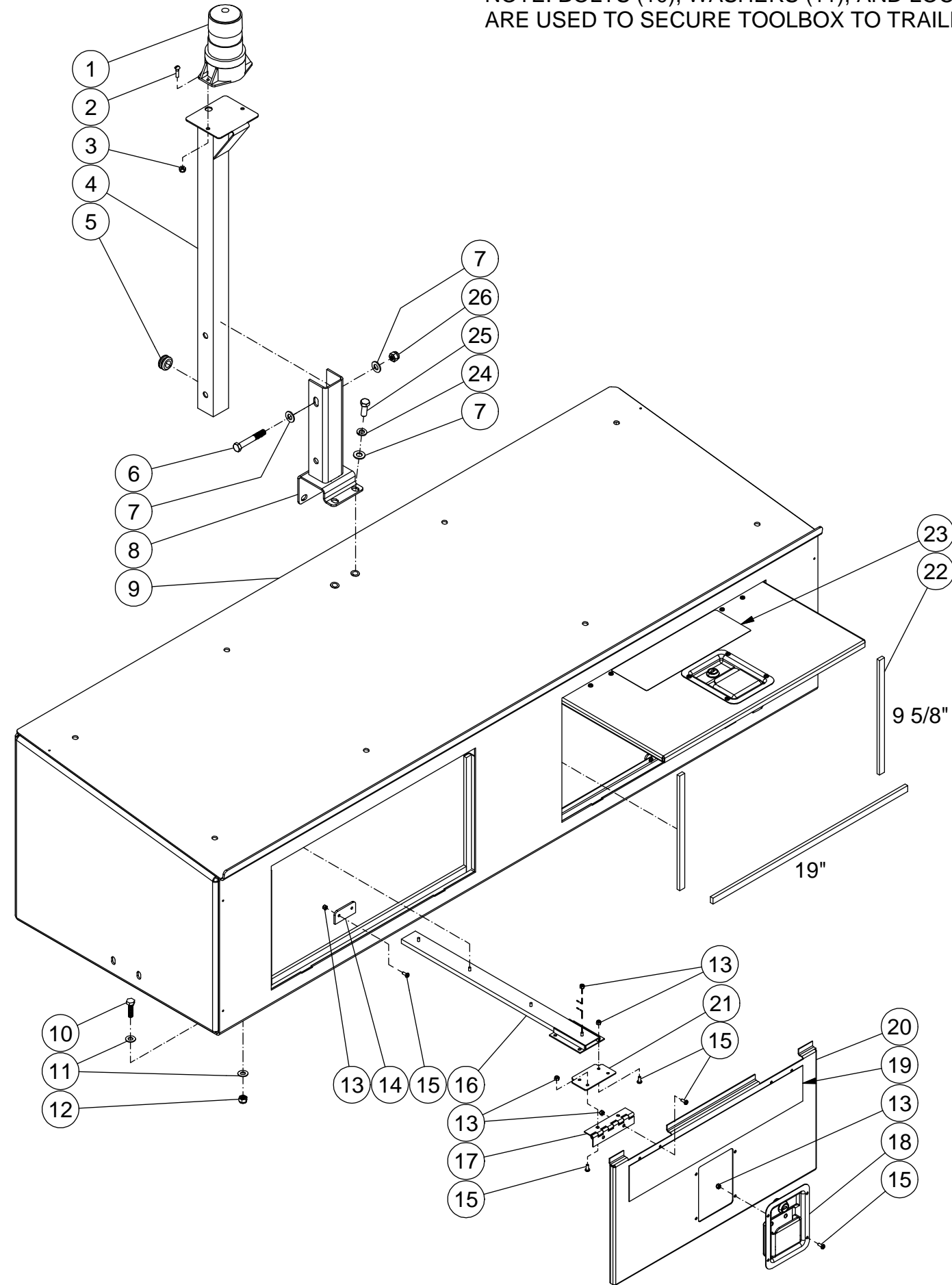
NOTE: BOLTS (11), LOCKWASHERS (12), AND WASHERS (13) ARE USED TO SECURE CONTROL BOX TO TRAILER DECK/ TOOLBOX



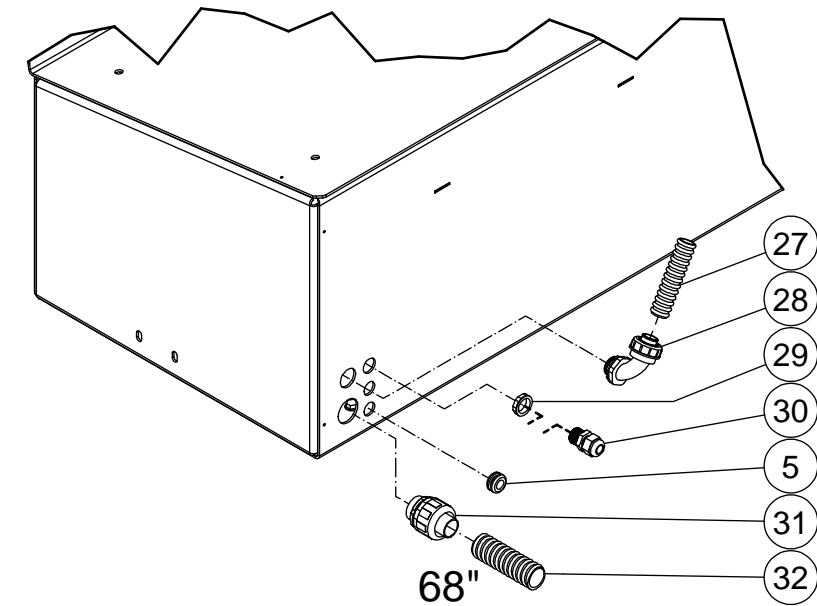
| | | | | |
|--|---------------|-----------------|-------|--------------|
| SCALE: NTS | DATE: 3/22/12 | DRAWING SIZE: B | APPD: | DRAWN BY: CH |
| JM-2512 - ENGINE CONTROL BOX | | | | |
| DRAWING/PART NO: JM-2512 - ENGINE CONTROL BOX | | | | |

M:\Drawings\PRIVATE LABEL\GENERAL PIPE CLEANERS\JM-2512-0GH\JM-2512 - TOOLBOX ASSY.iam

NOTE: BOLTS (10), WASHERS (11), AND LOCKNUTS (12) ARE USED TO SECURE TOOLBOX TO TRAILER DECK



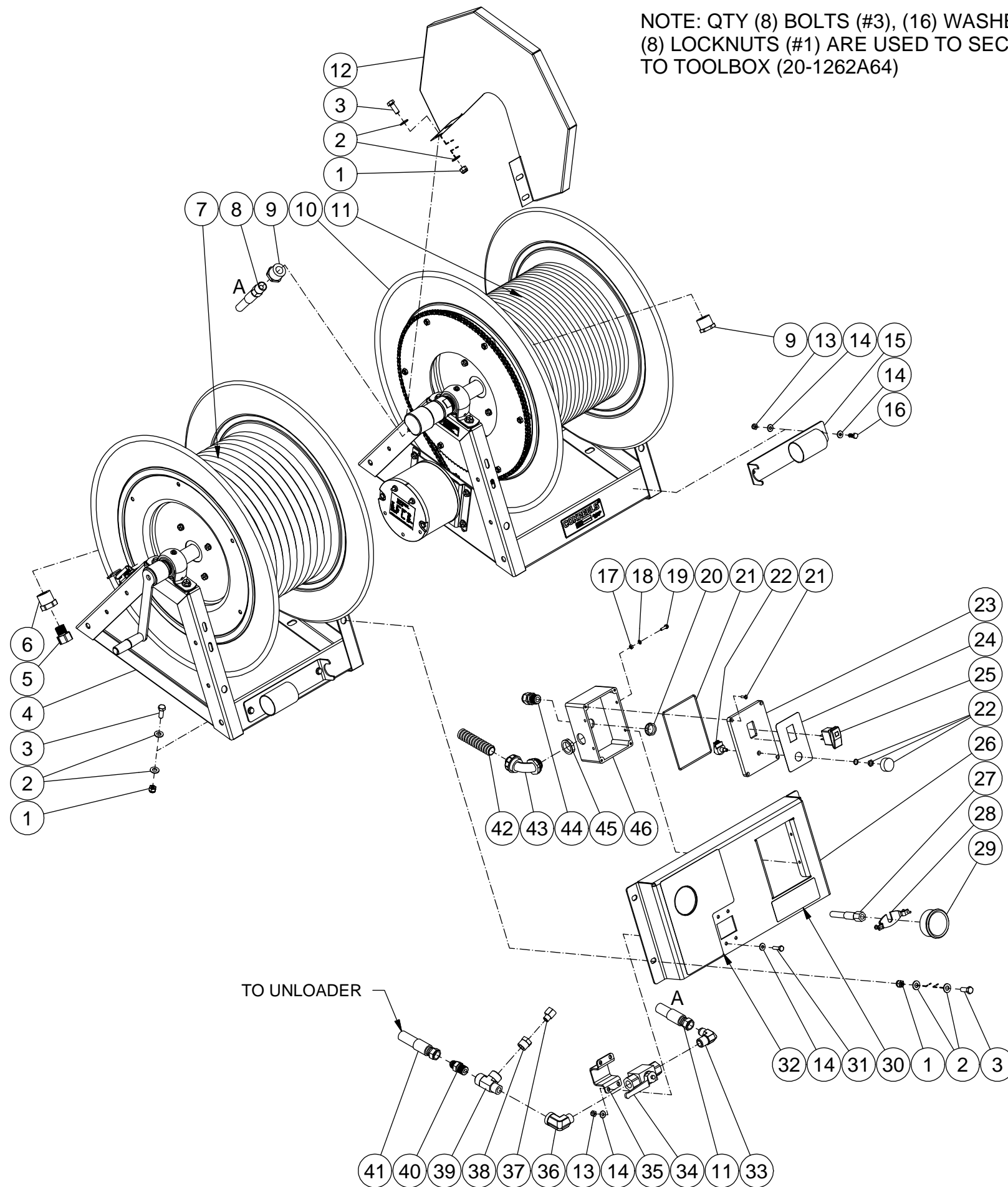
| ITEM | DESCRIPTION | PART # | P/L | R/Q | QTY |
|------|--|------------|-----|-------|-----|
| 1 | STROBE LIGHT | 32-1085 | | | 1 |
| 2 | PRHMS - #10-32 X 3/4 ZINC | 27-8912 | | | 2 |
| 3 | HEX NYLON LOCKNUT-ZINC #10-32 | 30-0136 | | | 2 |
| 4 | LIGHT POST | 20-1243A64 | | | 1 |
| 5 | GROMMET 1/2 X 3/4 X 1/8 | 33-0001 | | | 3 |
| 6 | BOLT - HHCS - ZI GR5 3/8-16 x 2-1/2" | 27-0123 | | | 2 |
| 7 | WASHER - ZI SAE 3/8" | 28-0004 | | | 8 |
| 8 | LIGHT POST MOUNT | 20-1242A64 | | | 1 |
| 9 | TOOLBOX - JETTER TRAILER | 20-1262A64 | | | 1 |
| 10 | BOLT - HHCS - ZI GR5 5/16-18 X 1-1/4" | 27-0068 | | | 6 |
| 11 | WASHER-ZI SAE TYPE A 5/16" | 28-0003 | | | 12 |
| 12 | HEX NYLON LOCKNUT-ZINC 5/16-18 | 30-0157 | | | 6 |
| 13 | HEX NYLON LOCKNUT - SS M4 - .7P | 30-8152 | | | 52 |
| 14 | STRIKER PLATE | 20-1245A01 | | | 2 |
| 15 | PPHMS M4-0.7X16MM - SS | 27-2770 | | | 36 |
| 16 | SLIDE - LINEAR MOTION | 33-0515 | | | 4 |
| 17 | HINGE - 1 1/2" X 4" SS | 43-0105 | | | 4 |
| 18 | PADDLE LATCH - SS/ LOCKING | 33-0516 | | | 2 |
| 19 | DECAL - JM-2512 TOOLBOX DOOR | 34-2639 | N/A | X | 1 |
| 20 | DOOR | 20-1244A64 | | | 2 |
| 21 | DOOR HINGE MOUNT | 20-1246A01 | | | 4 |
| 22 | WEATHERSTRIP - ADHESIVE BACK | 26-0378 | | 76.5" | 1 |
| 23 | DECAL - WARNING/OPERATION SEWER JETTER | 34-2624 | N/A | X | 1 |
| 24 | LOCKWASHER - ZI MED 3/8 | 29-0008 | | | 4 |
| 25 | BOLT - HHCS 3/8-16 X 1 | 27-0117 | | | 4 |
| 26 | HEX NYLON LOCKNUT - ZI 3/8-16 | 30-0159 | | | 2 |
| 27 | CONDUIT 3/4" BLACK | 32-0486 | | ??? | 1 |
| 28 | CONDUIT 90 ELBOW 3/4" | 32-0487 | | | 1 |
| 29 | LOCKNUT 1/2" ELECTRICAL | 32-0108 | | | 1 |
| 30 | STRAIN RELIEF | 32-0437 | | | 1 |
| 31 | CONDUIT FITTING 1" BLACK | 32-0996 | | | 1 |
| 32 | CONDUIT FLEX 1" BLACK | 32-0908 | | 68" | 1 |



| | | | | |
|--|--------------|-----------------|-------|--------------|
| SCALE: NTS | DATE: 1/5/12 | DRAWING SIZE: B | APPD: | DRAWN BY: CH |
| JM-2512-0GH - TOOLBOX ASSY | | | | |
| DRAWING/PART NO: JM-2512 - TOOLBOX ASSY | | | | |

M:\Drawings\PRIVATE LABEL\GENERAL PIPE CLEANERS\JM-2512-0GHJM-2512 - HOSE REELS ASSY .iam

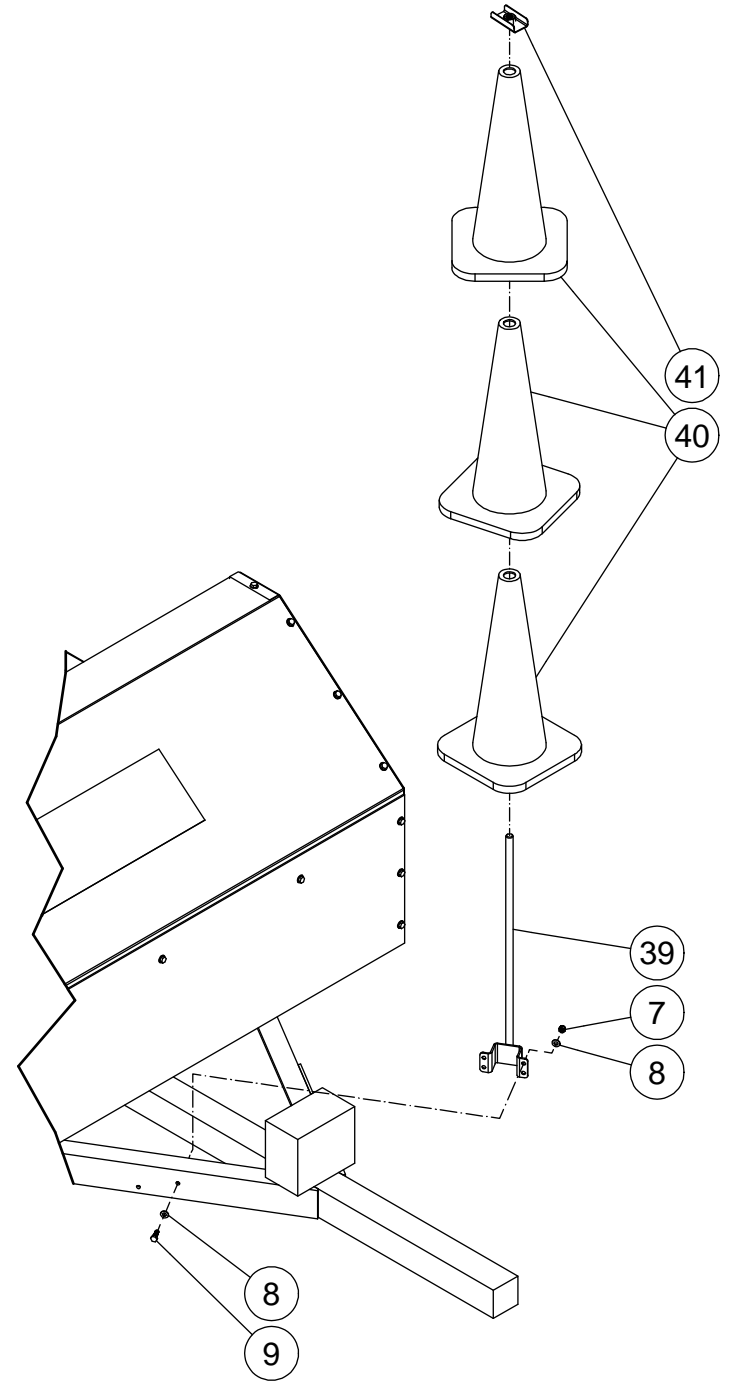
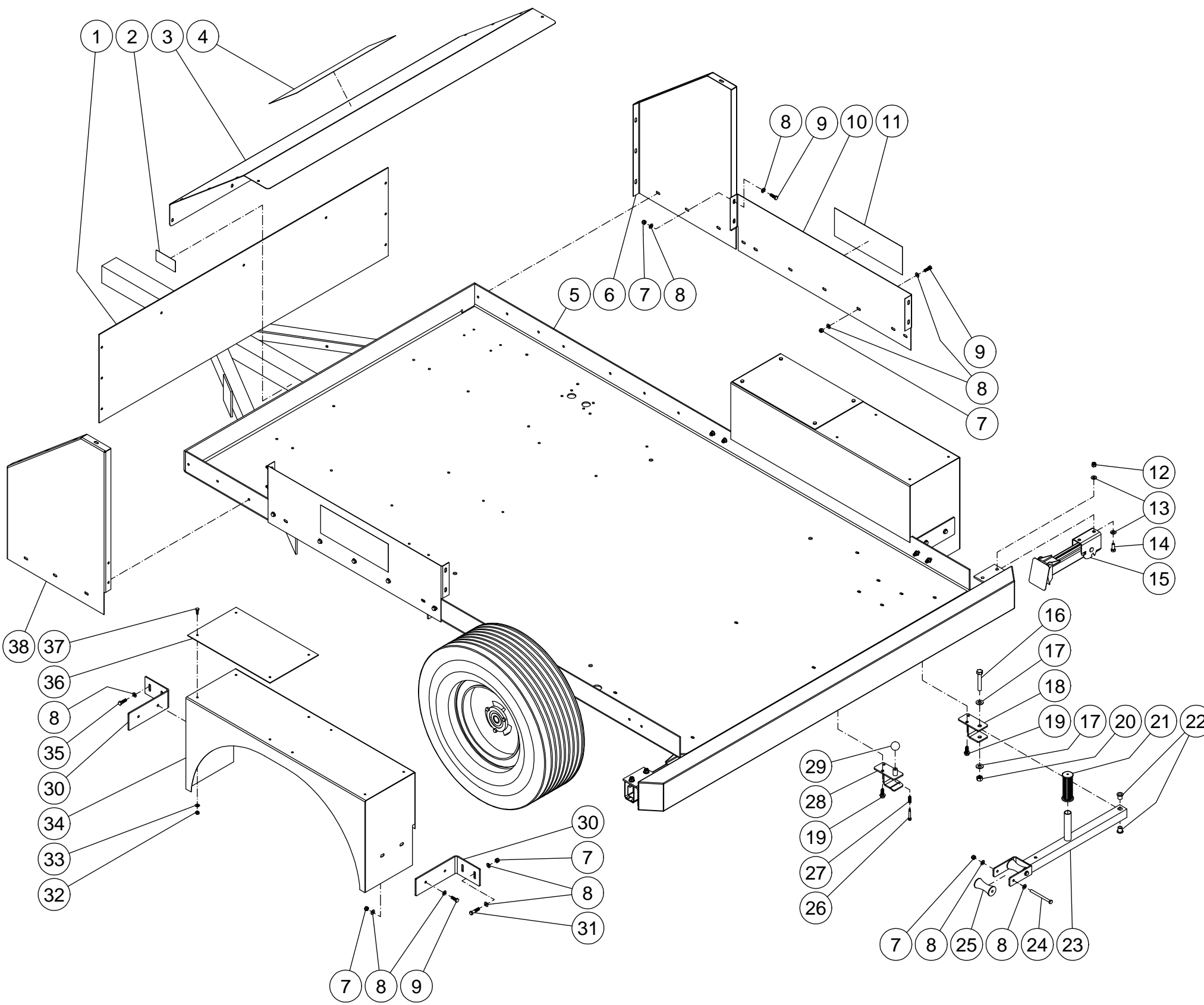
NOTE: QTY (8) BOLTS (#3), (16) WASHERS (#2), AND (8) LOCKNUTS (#1) ARE USED TO SECURE HOSE REELS TO TOOLBOX (20-1262A64)



| ITEM | DESCRIPTION | PART # | P/L | R/Q | QTY |
|------|---|------------|-----|-----|-----|
| 1 | HEX NYLON LOCKNUT - ZI 3/8-16 | 30-0159 | | | 14 |
| 2 | WASHER - ZI SAE 3/8" | 28-0004 | | | 28 |
| 3 | BOLT - HHCS 3/8-16 X 1 | 27-0117 | | | 14 |
| 4 | HOSE REEL - HAND CRANK | 50-0193 | | | 1 |
| 5 | SWIVEL - 1/2M X 3/4F GARDEN HOSE | 23-0095 | | | 1 |
| 6 | REDUCER - BRASS - 1"M x 1/2"F | 23-0226 | | | 1 |
| 7 | HOSE - 3/4" GARDEN 150' | 15-0316 | | | 1 |
| 8 | HOSE 1/2" X 24" | 15-0263 | | | 1 |
| 9 | REDUCER - 1"M X 1/2"F | 24-0303 | | | 2 |
| 10 | HOSE REEL - ELECTRIC | 50-0194 | | | 1 |
| 11 | HP HOSE - 1/2" X 400' | 15-0322 | | | 1 |
| 12 | GEAR GUARD | 50-0197A18 | | | 1 |
| 13 | HEX NYLON LOCKNUT-ZINC 1/4-20 | 30-0155 | | | 8 |
| 14 | WASHER-ZI SAE TYPE A 1/4" | 28-0002 | | | 16 |
| 15 | HOSE RETAINER | 20-1240A64 | | | 2 |
| 16 | HHCS-ZI GR5 1/4-20 X 3/4" | 27-0015 | | | 4 |
| 17 | HEX NUT - M5 X 0.8 | 30-6001 | | | 4 |
| 18 | EXTERNAL TOOTH LOCKWASHER | 28-1009 | | | 4 |
| 19 | HHCS - GR8.8 M5-0.8P X 16MM BLACK | 27-9526 | | | 4 |
| 20 | LOCKNUT 1/2" ELECTRICAL | 32-0108 | | | 1 |
| 21 | HARDWARE KIT | 70-0197 | | | 1 |
| 22 | VARIABLE SPEED CONTROL | 32-1100 | | | 1 |
| 23 | CONTROL BOX LID | 20-1256A01 | | | 1 |
| 24 | DECAL - VARIABLE SPEED CONTROLS | 34-2650 | N/A | X | 1 |
| 25 | SWITCH - ROCKER W/ LAMP 12V | 32-0969 | | | 1 |
| 26 | HOSE REEL CONTROL PANEL | 20-1241A64 | | | 1 |
| 27 | HP HOSE - 1/4" ID X 1/4MS X 1/4F X 13.25" | 15-0309 | | | 1 |
| 28 | U-CLAMP - GAUGE MOUNT | 13-0211 | | | 1 |
| 29 | GAUGE - 0-5000PSI 2 1/2"DIA BACK MOUNT | 22-0465 | | | 1 |
| 30 | DECAL - GENERAL JET-SET TYPHOON | 34-2651 | N/A | X | 1 |
| 31 | HHCS - ZI GR5 1/4-20X1 | 27-0016 | | | 4 |
| 32 | DECAL - HOSE REEL CONTROL PANEL | 34-2644 | N/A | X | 1 |
| 33 | ELBOW 1/2M X #8JIC MALE | 24-0074 | | | 1 |
| 34 | BALL VALVE - 1/2" FNPT 7350PSI | 22-0463 | | | 1 |
| 35 | BALL VALVE HOLDER | 20-1254A01 | | | 1 |
| 36 | ELBOW 1/2MPX1/2FP 90 STEEL FORGE | 24-0006 | | | 1 |
| 37 | ELBOW 1/4"FPX1/4MPT 90 BRASS | 23-0014 | | | 1 |
| 38 | REDUCER 1/2MP X 1/4 FP HEX - STEEL | 24-0053 | | | 1 |
| 39 | STREET TEE-1/2NPT STEEL FORGED | 24-0242 | | | 1 |
| 40 | NIPPLE 1/2MP X #8JIC HEX | 24-0054 | | | 1 |
| 41 | HOSE 1/2" X 9' | 15-0314 | | | 1 |
| 42 | CONDUIT 3/4" BLACK | 32-0486 | | ??? | 1 |
| 43 | CONDUIT 90 ELBOW 3/4" | 32-0487 | | | 1 |
| 44 | STRAIN RELIEF | 32-0437 | | | 1 |
| 45 | LOCKNUT ELECT 3/4" | 32-0292 | | | 1 |
| 46 | CONTROL BOX | 20-1255A01 | | | 1 |

| | | | | |
|---|--------------|-----------------|-------|--------------|
| SCALE: NTS | DATE: 1/5/12 | DRAWING SIZE: B | APPD: | DRAWN BY: CH |
| JM-2512 - HOSE REELS ASSY | | | | |
| DRAWING/PART NO: JM-2512 - HOSE REELS ASSY | | | | |

NOTE: PLACE TRAILER SPEC STICKERS & SILVER STICKER ON DRIVER'S SIDE OF TONGUE; BETWEEN FRONT OF DECK AND TONGUE BRACES

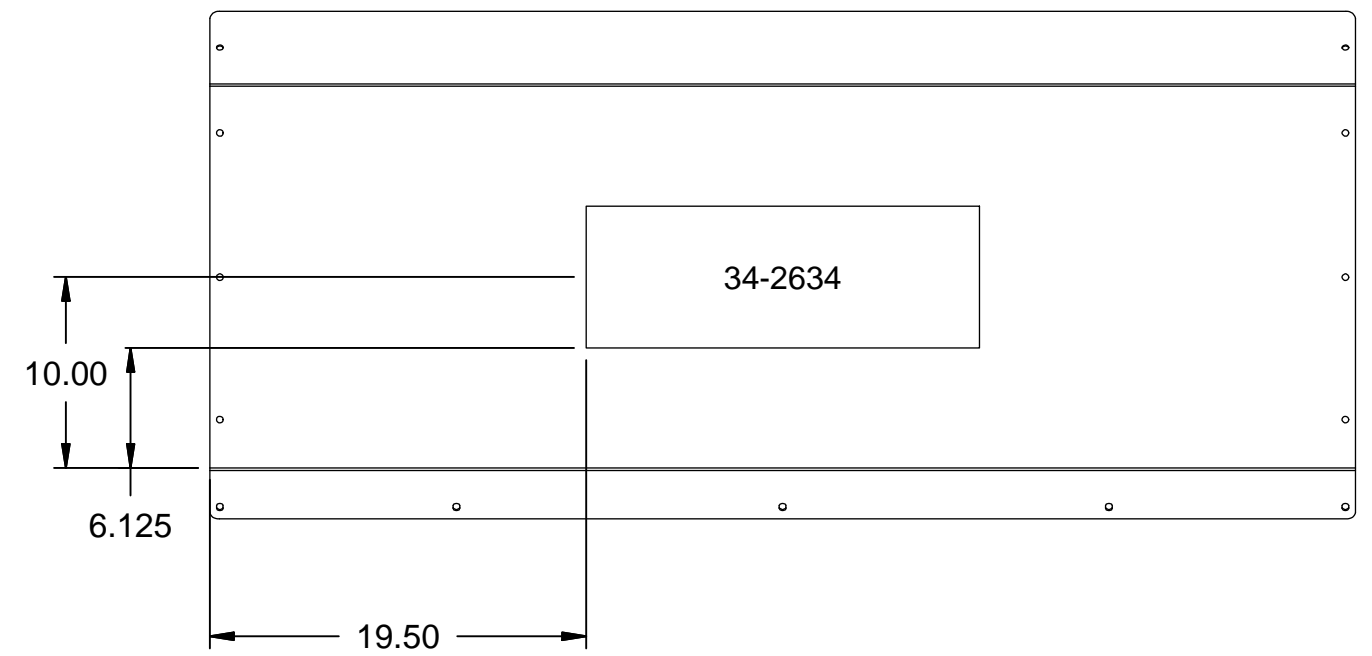


| | | | | |
|--|--------------|-----------------|-------|--------------|
| SCALE: NTS | DATE: 8/5/11 | DRAWING SIZE: B | APPD: | DRAWN BY: CH |
| JM-2512 - TRAILER ASSY | | | | |
| DRAWING/PART NO: JM-2512 - TRAILER ASSY | | | | |

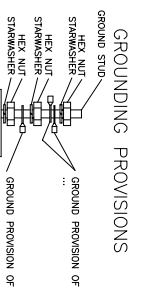
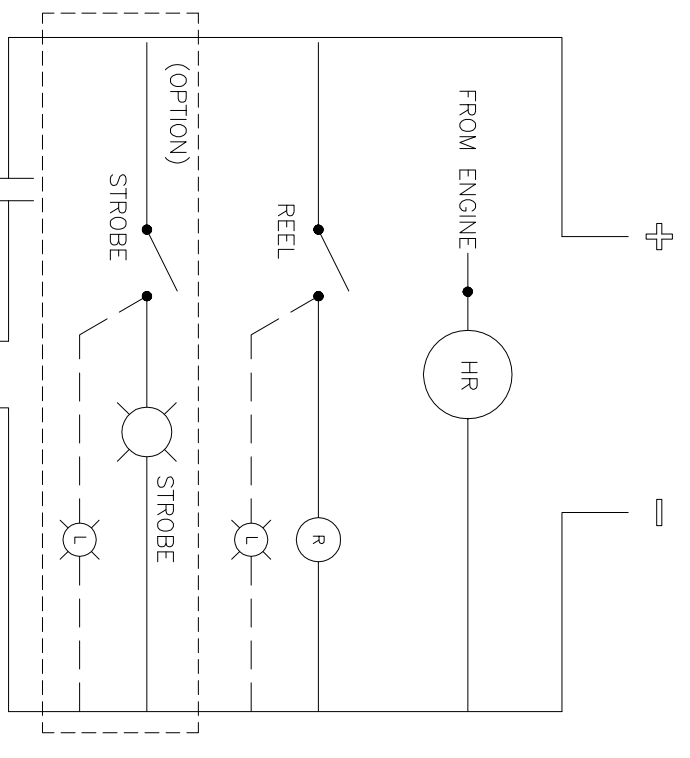
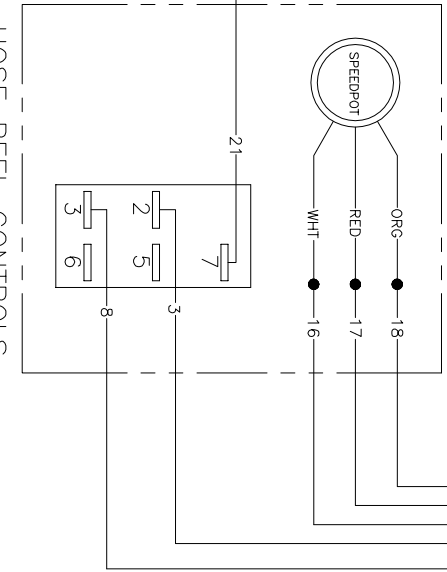
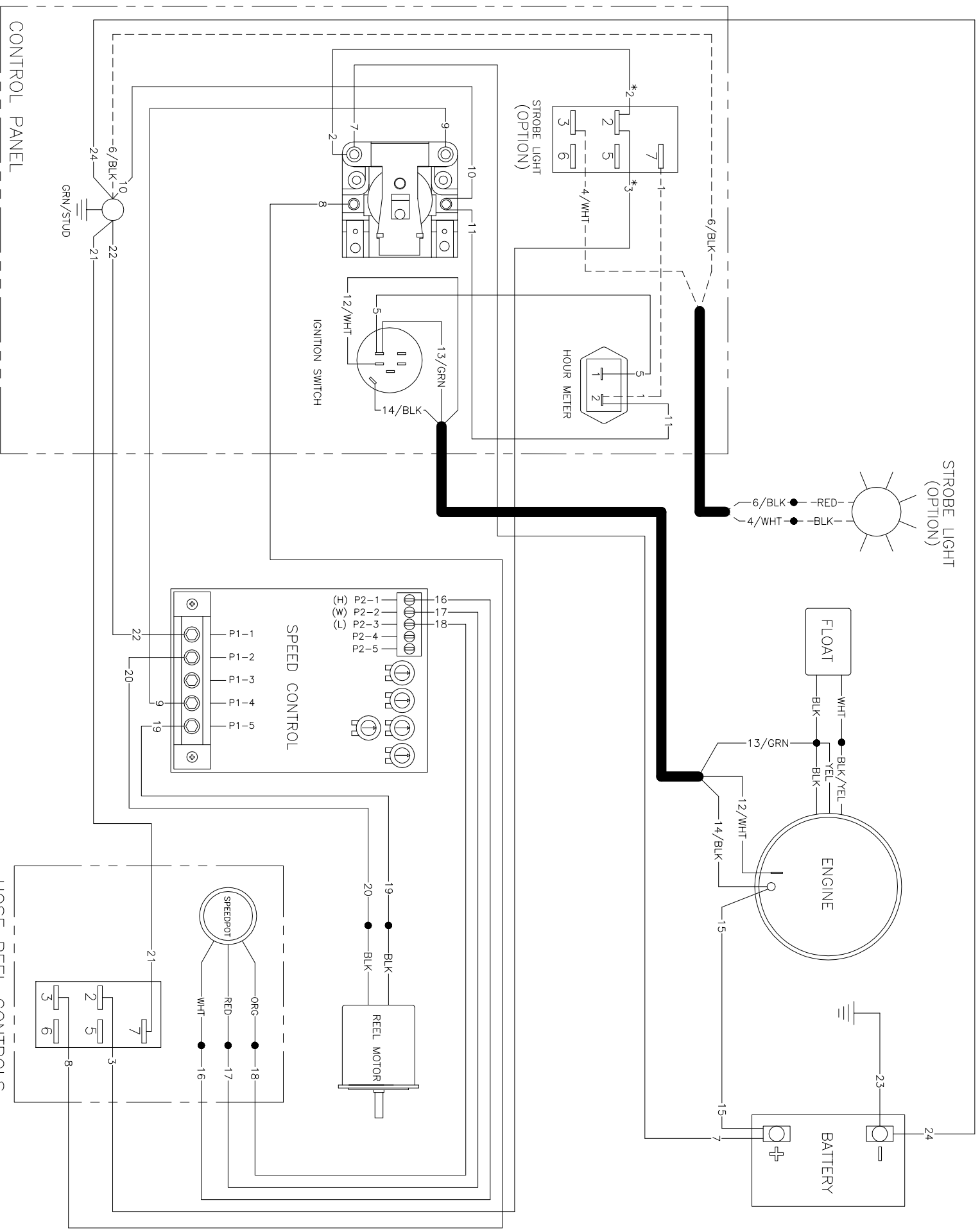
M:\Drawings\PRIVATE LABEL\GENERAL PIPE CLEANERS\JM-2512-0GHJM-2512 - TRAILER ASSY.iam

M:\Drawings\PRIVATE LABEL\GENERAL PIPE CLEANERS\JM-2512-0GH\JM-2512 - TRAILER ASSY.iam

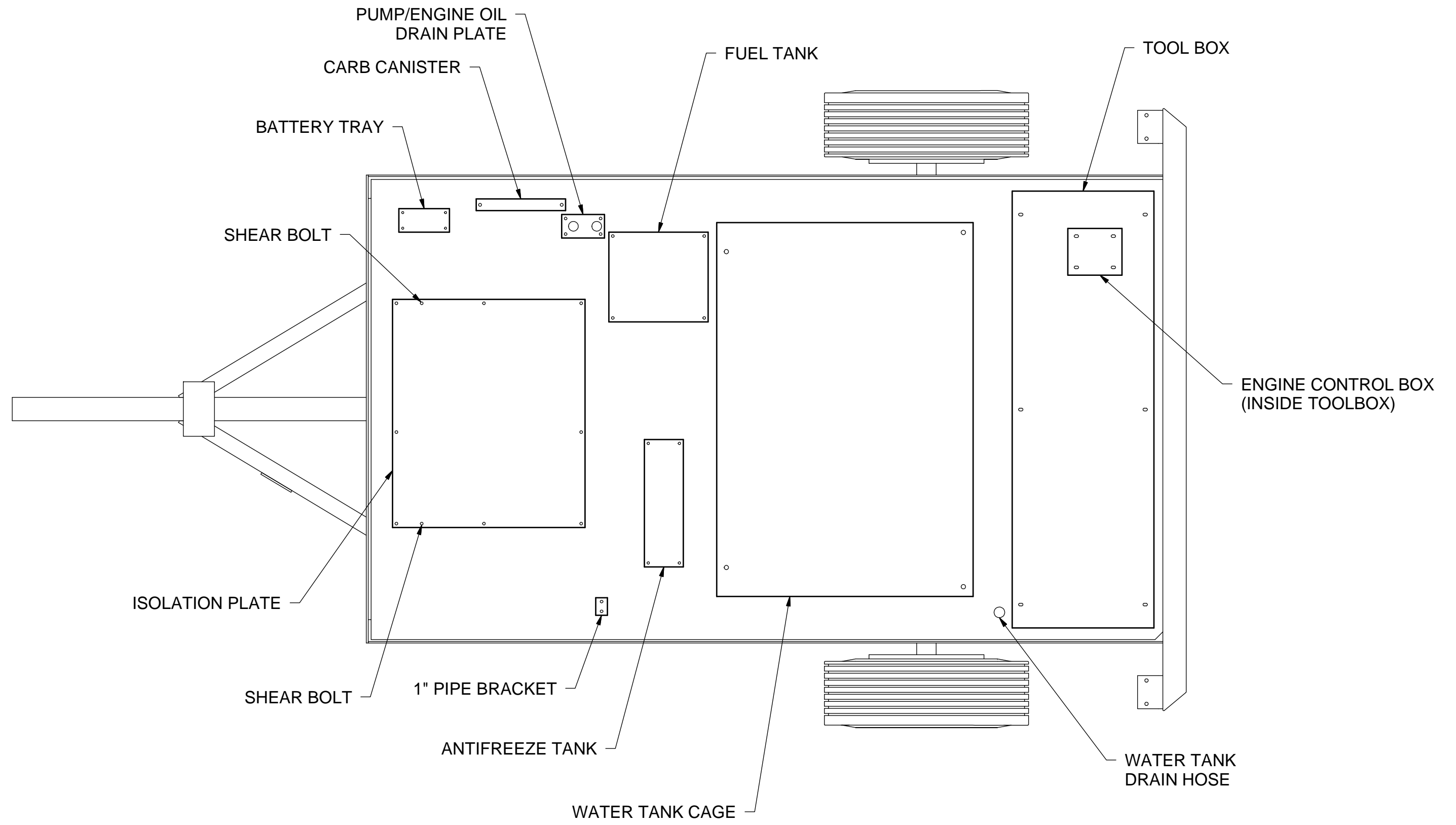
| ITEM | DESCRIPTION | PART # | P/L | R/Q | QTY |
|------|--|------------|-----|-----|-----|
| 1 | FRONT COVER - TRAILER | 56-0071 | | | 1 |
| 2 | DECAL - SILVER STICKER | 34-0075 | N/A | | 1 |
| 3 | FRONT PANEL - TRAILER | 20-1236A64 | | X | 1 |
| 4 | DECAL - JM-2512 FRONT PANEL | 34-2634 | | X | 1 |
| 5 | SINGLE AXLE W/ELECTRIC BRAKES | 61-0013 | | | 1 |
| 6 | RIGHT SUPPORT PANEL | 20-1238A64 | | | 1 |
| 7 | HEX NYLON LOCKNUT-ZINC 5/16-18 | 30-0157 | | | 55 |
| 8 | WASHER-ZI SAE TYPE A 5/16" | 28-0003 | | | 110 |
| 9 | BOLT - HHCS - ZI GR5 5/16-18 x 1" | 27-0067 | | | 45 |
| 10 | MIDDLE PANEL - TRAILER | 20-1239A64 | | | 2 |
| 11 | DECAL - JM-2512 SIDE PANEL | 34-2633 | | X | 2 |
| 12 | HEX NYLON LOCKNUT - ZI 3/8-16 | 30-0159 | | | 4 |
| 13 | WASHER - ZI SAE 3/8" | 28-0004 | | | 8 |
| 14 | BOLT - HHCS 3/8-16 X 1 | 27-0117 | | | 4 |
| 15 | STABILIZER ARM | 61-1035 | | | 2 |
| 16 | HHCS-ZI GR5 1/2-13 X 3 | 27-0227 | | | 1 |
| 17 | WASHER - ZI SAE TYPE A 1/2 | 28-0006 | | | 2 |
| 18 | HOSE GUIDE MOUNT | 20-1248A01 | | | 1 |
| 19 | HWHCS - ZI 3/8-16 X 1 | 27-9530 | | | 4 |
| 20 | HEX NYLON LOCKNUT-ZINC 1/2-13 | 30-0163 | | | 1 |
| 21 | HANDLE GRIP | 7-0167 | | | 1 |
| 22 | SLEAVE BEARING - 1/2" ID | 33-0518 | | | 2 |
| 23 | HOSE GUIDE | 20-1247A01 | | | 1 |
| 24 | HHCS-ZI GR5 5/16-18 x 4" | 27-0079 | | | 2 |
| 25 | HOSE GUIDE ROLLER | 51-0043 | | | 2 |
| 26 | SHOULDER SCREW-#10-24 X 1/4" X 1.625" LONG | 27-0895 | | | 1 |
| 27 | SPRING 1" LONG X 5/16" O.D. ZINC PLATED | 49-0165 | | | 1 |
| 28 | HOSE GUIDE CATCH | 20-1249A01 | | | 1 |
| 29 | KNOB-1.25" DIA. X 10"-24 STEEL INSERT | 7-0223 | | | 1 |
| 30 | FENDER BRACKET | 20-1064A01 | | | 4 |
| 31 | HHCS-ZI GR5 5/16-18 X 1-1/2 | 27-0069 | | | 4 |
| 32 | HEX NYLON LOCKNUT-ZINC 1/4-20 | 30-0155 | | | 8 |
| 33 | WASHER-ZI SAE TYPE A 1/4" | 28-0002 | | | 8 |
| 34 | TRAILER FENDER | 20-1155A18 | | | 2 |
| 35 | BOLT - HHCS - ZI GR5 5/16-18 X 1-1/4" | 27-0068 | | | 4 |
| 36 | FENDER STEP | 56-0066 | | | 2 |
| 37 | HHCS-ZI GR5 1/4-20 X 3/4" | 27-0015 | | | 8 |
| 38 | LEFT SUPPORT PANEL | 20-1237A64 | | | 1 |
| 39 | SAFETY CONE HOLDER | 20-1257A01 | | | 1 |
| 40 | SAFETY CONE | 61-1034 | | | 3 |
| 41 | HANDLE NUT - 5/8" | 20-1258A01 | | | 1 |



| | | | | |
|--|--------------|-----------------|-------|--------------|
| SCALE: NTS | DATE: 8/5/11 | DRAWING SIZE: B | APPD: | DRAWN BY: CH |
| JM-2512 - TRAILER ASSY | | | | |
| DRAWING/PART NO: JM-2512 - TRAILER ASSY | | | | |



M:\Drawings\Part Numbers\61\61-0013.iam



| | | | | |
|---|---------------|-----------------|-------|--------------|
| SCALE: NTS | DATE: 3/22/12 | DRAWING SIZE: B | APPD: | DRAWN BY: CH |
| JM-2512-0GH TRAILER HOLE LOCATIONS | | | | |
| DRAWING/PART NO: 61-0013 | | | | |

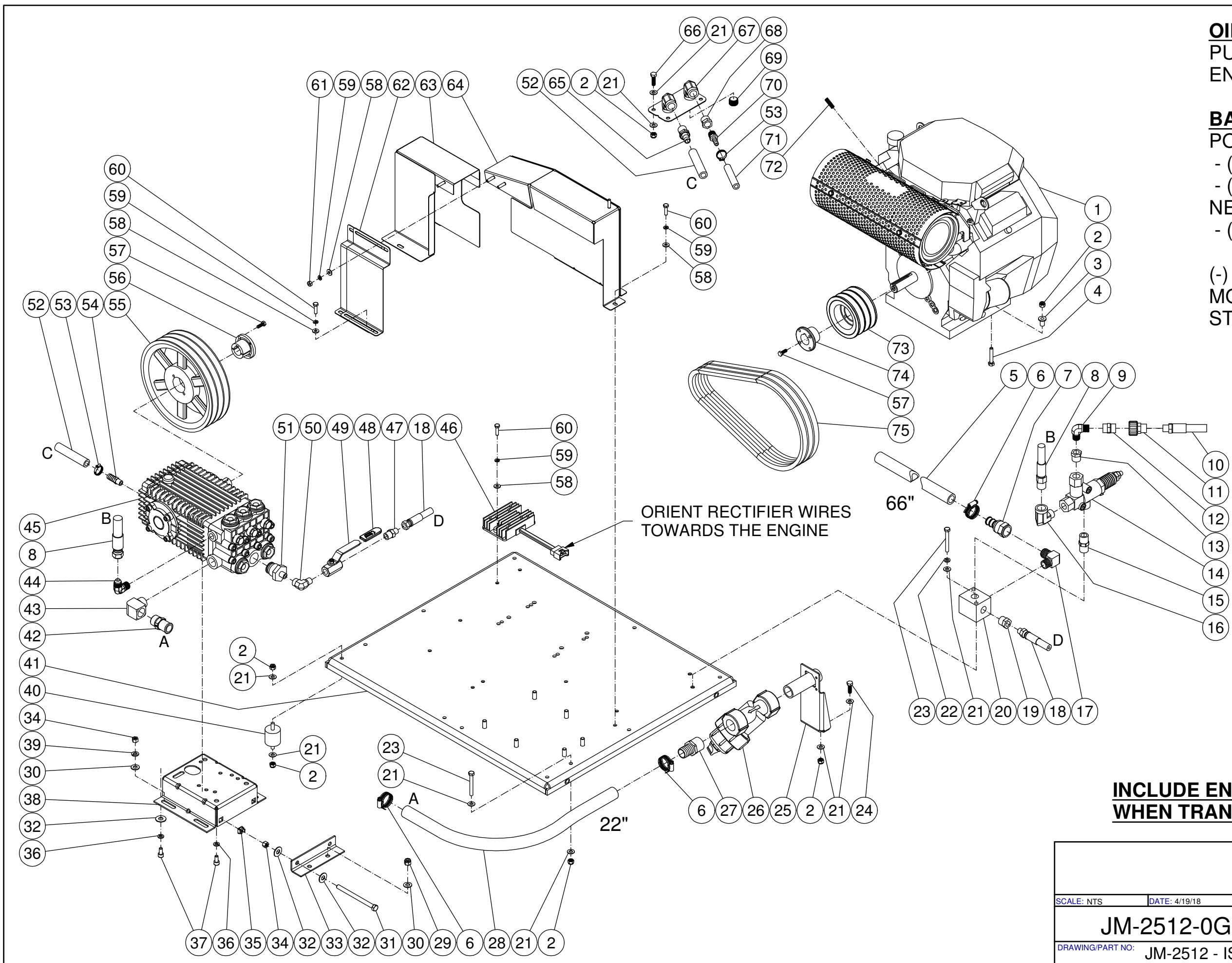
OIL DRAIN HOSE LENGTHS:

- PUMP - 34"
- ENGINE - 16.5"

BATTERY CABLES

- POSITIVE: 30"
 - (2) 32-0097
 - (1) 33-0508
- NEGATIVE: 38"
 - (2) 32-0097

(-) CABLE MOUNTS ON ENGINE
MOUNTING BOLT ON
STARTER SIDE OF ENGINE



ORIENT RECTIFIER WIRES
TOWARDS THE ENGINE

**INCLUDE ENGINE MANUAL ON PLATE
WHEN TRANSPORTING TO G2**

| | | | | |
|--|---------------|-----------------|-------|---------------|
| SCALE: NTS | DATE: 4/19/18 | DRAWING SIZE: B | APPD: | DRAWN BY: JVA |
| JM-2512-0GH - ISOLATION PLATE | | | | |
| DRAWING/PART NO: JM-2512 - ISOLATION PLATE | | | | |

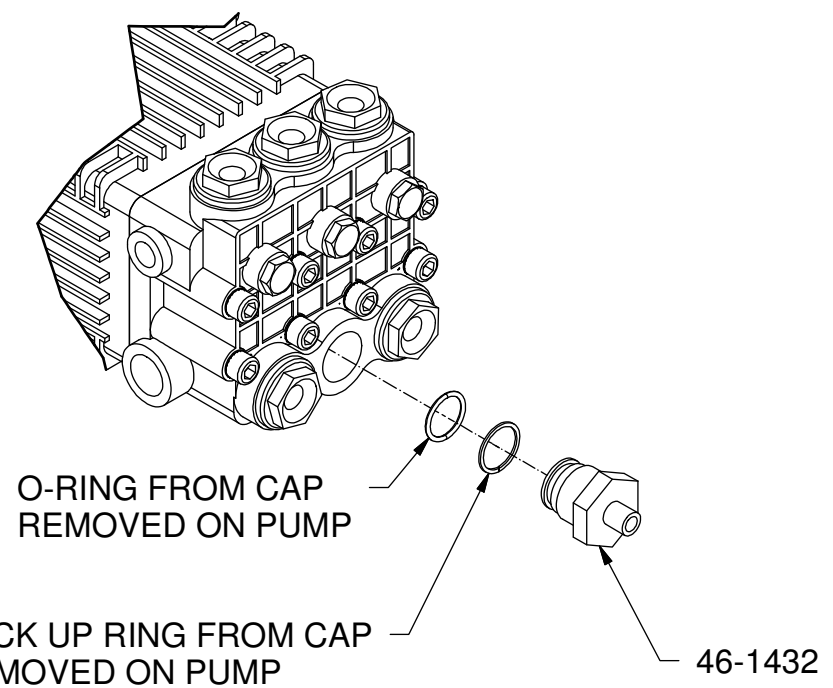
| ITEM | PART # | DESCRIPTION | P/L | R/Q | QTY | ITEM | PART # | DESCRIPTION | P/L | R/Q | QTY |
|------|------------|--------------------------------------|-----|-----|-----|------|------------|---|-----|-------|-----|
| 1 | 851-0393 | ENGINE ASSEMBLY/HONDA GX690 | | | 1 | 59 | 29-0006 | LOCK WASHER - 1/4" | | | 11 |
| 2 | 30-0157 | HEX NYLON LOCKNUT-ZINC 5/16-18 | | | 28 | 60 | 27-0016 | HHCS - ZI GR5 1/4-20X1 | | | 8 |
| 3 | 33-0169 | SHIM - ENGINE | | | 4 | 61 | 30-0002 | HEX NUT - ZINC GR2 1/4-20 | | | 3 |
| 4 | 27-0070 | HHCS-ZI GR5 5/16-18 X 1 3/4 | | | 4 | 62 | 20-0589A18 | BRACKET/COVER | | | 2 |
| 5 | 15-0033 | HOSE 3/4 250 PSI | | 66" | 1 | 63 | 20-0690A18 | BELTGUARD-ENGINE | | | 1 |
| 6 | 42-0018 | CLAMP WORM #20SS 3/4 - 1-1/2 | | | 3 | 64 | 6-0092A18 | BELTGUARD-PUMP | | | 1 |
| 7 | 23-0358 | HOSE BARB - 3/4LB X 3/4 SWIV | | | 1 | 65 | 23-0005 | HOSE BARB - 1/2"MNPT x 1/2" LOCK | | | 1 |
| 8 | 15-0315 | HOSE 1/2" X 36" | | | 1 | 66 | 27-0068 | BOLT - HHCS - ZI GR5 5/16-18 X 1-1/4" | | | 4 |
| 9 | 24-0131 | ELBOW 3/8MNPT X 3/8MNPT-STEEL | | | 1 | 67 | 20-1253A01 | OIL DRAIN PLATE | | | 1 |
| 10 | 15-0314 | H.P. HOSE 1/2" X 98" | | | 1 | 68 | 23-0016 | BUSHING - 1/2 M x 3/8 F NPT HEX - BRASS | | | 1 |
| 11 | 23-0490 | 3/8" FNPT X M22 SCREW COUPLER | | | 1 | 69 | 24-0338 | PLUG - 1/2" NPT | | | 2 |
| 12 | 23-0494 | 3/8" FNPT X M22 SCREW NIPPLE | | | 1 | 70 | 23-0073 | BARB 3/8MP X 3/8 HOSE - BRASS | | | 1 |
| 13 | 24-0282 | BUSHING-1/2MNPT X 3/8FNPT STEEL | | | 1 | 71 | 15-0020 | HOSE 3/8" FUEL LINE | | 16.5" | 1 |
| 14 | 8-0032 | UNLOADER VALVE ORANGE SPRING | | | 1 | 72 | 49-0176 | THROTTLE CONTROL SPRING | | | 1 |
| 15 | 23-0012 | NIPPLE - 1/2MP X 1/2MP | | | 1 | 73 | 10-0155 | SHEAVE- 3BK47H | | | 1 |
| 16 | 24-0006 | ELBOW 1/2MPX1/2FP 90 STEEL FORGE | | | 1 | 74 | 9-0010 | BUSHING H x 1 1/8 | | | 1 |
| 17 | 23-0363 | ELBOW - 1/2MP X 3/4M FLARE | | | 1 | 75 | 11-0052 | COG BELT BX38 | | | 3 |
| 18 | 15-0225 | HOSE - 1/4" X 21.5" 5800PSI | | | 1 | | | | | | |
| 19 | 24-0053 | REDUCER 1/2MP X 1/4 FP HEX - STEEL | | | 1 | | | | | | |
| 20 | 51-0034 | MANIFOLD BLOCK-1/2" NPT | | | 1 | | | | | | |
| 21 | 28-0003 | WASHER-ZI SAE TYPE A 5/16" | | | 34 | | | | | | |
| 22 | 29-0007 | LOCKWASHER-ZINC MED 5/16 | | | 2 | | | | | | |
| 23 | 27-0073 | HHCS-ZI GR5 5/16-18 X 2-1/2 | | | 4 | | | | | | |
| 24 | 27-0067 | BOLT - HHCS - ZI GR5 5/16-18 x 1" | | | 2 | | | | | | |
| 25 | 20-0951A01 | 1" PIPE WELDMENT | | | 1 | | | | | | |
| 26 | 19-0247 | FILTER 1" WYE IN LINE 80 MESH | | | 1 | | | | | | |
| 27 | 23-0091 | BARB 1MP X 1 HOSE - BRASS | | | 1 | | | | | | |
| 28 | 15-0172 | HOSE - 1" SUCTION W/SPIRAL WRAP | | 22" | 1 | | | | | | |
| 29 | 30-0159 | HEX NYLON LOCKNUT - ZI 3/8-16 | | | 2 | | | | | | |
| 30 | 28-0004 | WASHER - ZI SAE 3/8" | | | 6 | | | | | | |
| 31 | 27-0133 | BOLT - HHCS-ZI-GR5 3/8"-16 x 5" | | | 2 | | | | | | |
| 32 | 28-0023 | FLATWASHER - 3/8 STD ZI | | | 5 | | | | | | |
| 33 | 20-0584A18 | TENSION BRACKET | | | 1 | | | | | | |
| 34 | 30-0006 | HEX NUT - ZI GR2 3/8-16 | | | 6 | | | | | | |
| 35 | 30-6025 | CLIP NUT 3/8-16 | | | 2 | | | | | | |
| 36 | 29-0054 | LOCKWASHER-ZI SPRING TYPE A M8 | | | 4 | | | | | | |
| 37 | 27-8884 | SHCS-GR12.9 M8-1.25PX16MM BLK | | | 4 | | | | | | |
| 38 | 5-0153A18 | PUMP HAT | | | 1 | | | | | | |
| 39 | 29-0008 | LOCKWASHER - ZI MED 3/8 | | | 4 | | | | | | |
| 40 | 14-0110 | VIB/ISO 1.5" DIA X 1.5" HEIGHT | | | 8 | | | | | | |
| 41 | 5-0309A18 | BASEPLATE | | | 1 | | | | | | |
| 42 | 23-0090 | BARB - 3/4MNPT X 1" HOSE | | | 1 | | | | | | |
| 43 | 23-0081 | ELBOW 3/4M X 3/4F 90 STR BRASS | | | 1 | | | | | | |
| 44 | 24-0092 | ELBOW-3/8M X #8JIC M 90° STEEL | | | 1 | | | | | | |
| 45 | 3-0372 | PUMP - TSF2421 | | | 1 | | | | | | |
| 46 | W/ ENGINE | RECTIFIER | N/A | X | 1 | | | | | | |
| 47 | 24-0085 | ADAPTER - 3/8"M X 1/4M - HEX - STEEL | | | 1 | | | | | | |
| 48 | 7-0227 | HANDLE GRIP - VIBRA-PULSE | | | 1 | | | | | | |
| 49 | 22-0494 | BALL VALVE - 3/8 FNPT X 3/8 FNPT CS | | | 1 | | | | | | |
| 50 | 24-0004 | ELBOW - 3/8 MNPT X 1/4 FNPT | | | 1 | | | | | | |
| 51 | 46-1432 | VALVE CAP/JETTER/66 SERIES | | | 1 | | | | | | |
| 52 | 15-0305 | HOSE 1/2" 300PSI | | 34" | 1 | | | | | | |
| 53 | 42-0011 | SS WORM CLAMP 3/8"-1" | | | 2 | | | | | | |
| 54 | 23-0120 | HOSE BARB 1/4" M NPT x 1/2" - BRASS | | | 1 | | | | | | |
| 55 | 10-0154 | SHEAVE - 3BK100H | | | 1 | | | | | | |
| 56 | 9-0017 | BUSHING H24 | | | 1 | | | | | | |
| 57 | 27-0015 | HHCS-ZI GR5 1/4-20 X 3/4" | | X | 4 | | | | | | |
| 58 | 28-0002 | WASHER-ZI SAE TYPE A 1/4" | | | 11 | | | | | | |

INSTALLATION OF 49-0176 - THROTTLE CONTROL SPRING



49-0176 - THROTTLE CONTROL SPRING

INSTALLATION OF 46-1432 - VALVE CAP



| | | | | |
|--|---------------|-----------------|-------|---------------|
| SCALE: NTS | DATE: 4/19/18 | DRAWING SIZE: B | APPD: | DRAWN BY: JVA |
| JM-2512-0GH - ISOLATION PLATE | | | | |
| DRAWING/PART NO: JM-2512 - ISOLATION PLATE | | | | |