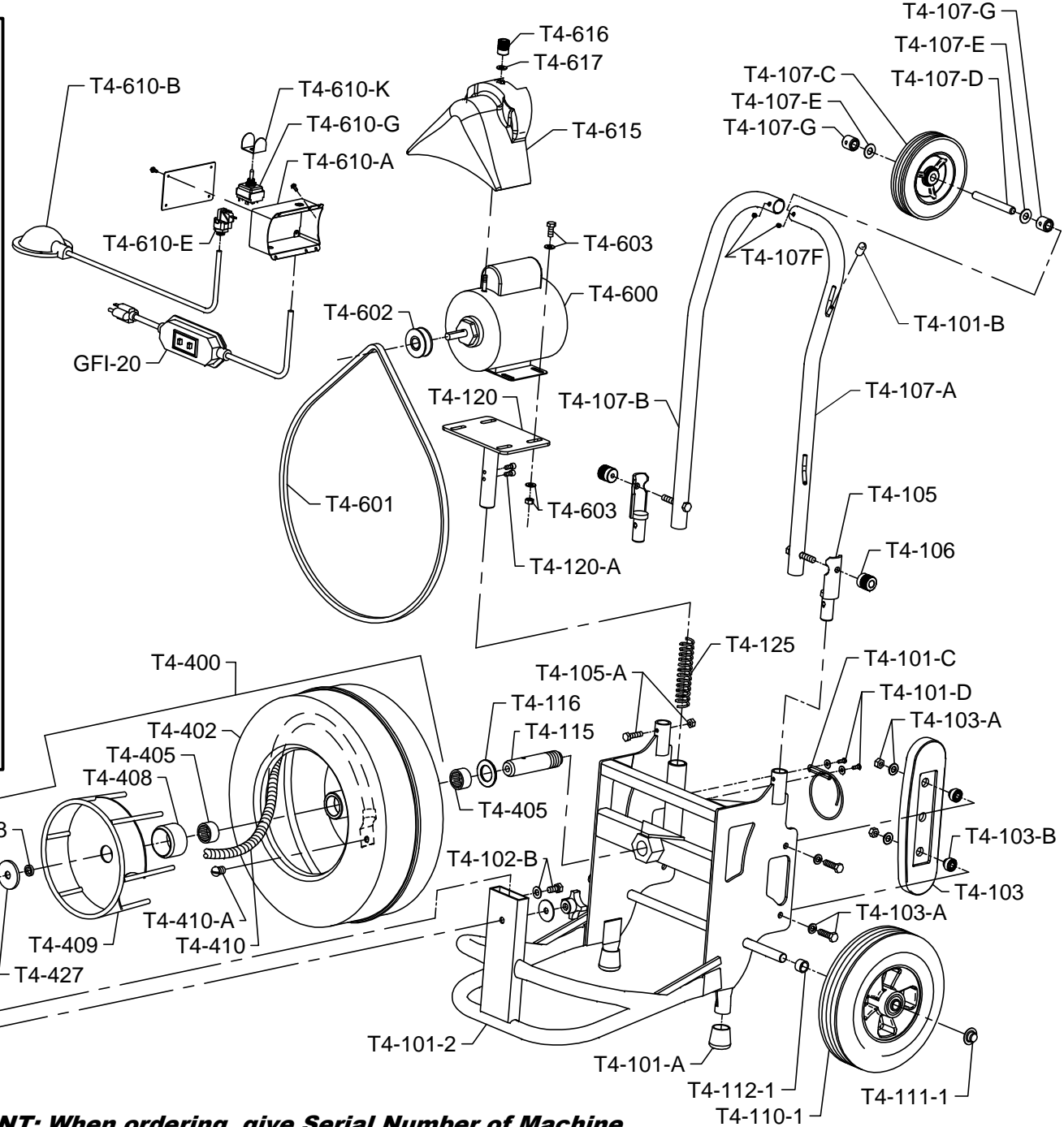
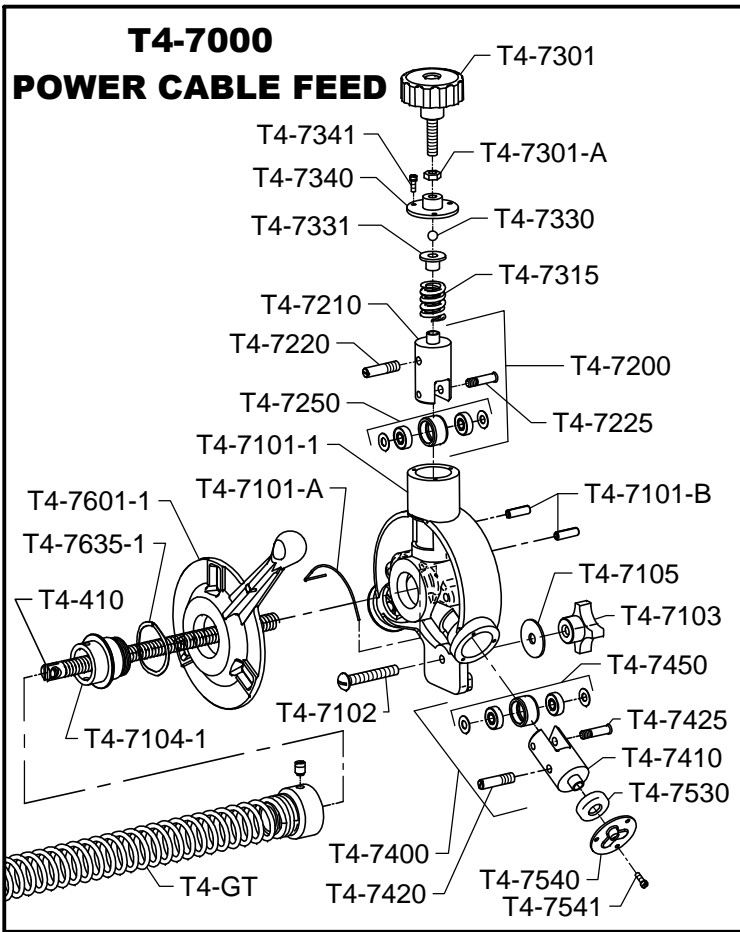


SEWERooter T-4 PARTS LIST

ITEM NO.	CATALOG NO.	DESCRIPTION	ITEM NO.	CATALOG NO.	DESCRIPTION
166454	T4-100-2	Complete Frame	136000	GFI-20	20' Power Cord w/GFCI
166458	T4-101-2	Frame Only w/ 5/8" Axle	166650	T4-610	Foot Switch & Reverse Switch Assembly
166460	T4-101-A	Rubber Leg Tips (2)	166655	T4-610-A	Box Only w/Cover & Screws
166465	T4-101-B	Rubber Cord Wrap Tips	136070	T4-610-B	Foot Pedal & Hose
166470	T4-101-C	Cutter Holder w/Screws (2) & Washers (2)	166665	T4-610-C	Hose Clamp
171202	T4-101-D	Cutter Holder Screws & Washers (2)	136060	T4-610-D	Pedal Only
166475	T4-102	Distributor Tube Clamp	136080	T4-610-E	Power Switch Diaphragm
166480	T4-102-A	Clamp Locking Knob	136050	T4-610-F	Air Hose
166485	T4-102-B	Clamp Screws & Washers (2)	136130	T4-610-G	Reverse Switch (3-Way)
166476	T4-103	Stair Climber	166693	T4-610-K	Switch Guard
166477	T4-103-A	Bolts, Nuts, Flat Washers, & Lock Washers (2)	166695	T4-610-N	Strain Relief Nut
166478	T4-103-B	Plastic Spacers (2)	166697	T4-615	Belt Guard
166487	T4-104	Guide Tube Holder	166705	T4-616	Knob for Belt Guard
166490	T4-105	Hinge	166701	T4-617	Belt Guard Washer
166495	T4-105-A	Hinge Bolts & Nuts (2)	166420	T4-7000	Power Feed Cable Assembly
166500	T4-106	Handle Locking Knobs (2)	156355	T4-7101-1	Feed Body for One Piece Feed Control Disk
166505	T4-107	Handles	156360	T4-7101-A	Lifting Spring
166510	T4-107-A	Left Handle	156363	T4-7101-B	Guide Pins (2)
166515	T4-107-B	Right Handle	155012	T4-7102	Mounting Stud
166520	T4-107-C	Handle Wheel	156370	T4-7103	Mounting Knob
166525	T4-107-D	Handle Wheel Axle	155021	T4-7104-1	Spout for One Piece Feed Control Disk
166530	T4-107-E	Felt Washers (2)	156380	T4-7105	Steel Washer
166535	T4-107-F	Set Screws (2)	155026	T4-7200	Top Roller Assembly
166536	T4-107-G	Bushings (2)	155031	T4-7210	Top Carrier Only
166537	T4-110-1	10" Mag Wheel w/Cap	155036	T4-7220	Top Swing Pin
166543	T4-111-1	10" Mag Wheel Retainer Cap (2)	155041	T4-7225	Feed Roller Shaft
166553	T4-112-1	10" Mag Wheel Spacer (2)	136120	T4-7250	Feed Roller w/Bearing
166555	T4-115	Drum Shaft	155060	T4-7301	Feed Pressure Knob
166560	T4-116	Thrust Bearing	155062	T4-7301-A	Limiting Nut
166565	T4-120	Motor Support w/Bolts, Nuts, & Washers	155066	T4-7315	Pressure Spring
166570	T4-120-A	Guide Screws (2)	155070	T4-7330	Ball Bearing
166575	T4-125	Motor Support Spring	155076	T4-7331	Ball Bearing Holder
166580	T4-200	Flexitube Distributor Tube Assembly	155080	T4-7340	Top Cover Plate
166410	T4-400	Drum Complete	155085	T4-7341	Plate Screws (3)
166585	T4-402	Drum Shell	155091	T4-7400	Bottom Roller Assembly
166590	T4-405	Drum Bearings (2)	155096	T4-7410	Bottom Carrier Only
166595	T4-408	Drum Bushing	155100	T4-7420	Swing Pin
166600	T4-409	Inner Drum Cage	155106	T4-7425	Bottom Roller Shaft
166605	T4-410	Drum Connecting Cable w/ Nut, Screws, & Lock Washer	136120	T4-7450	Bottom Feed Roller w/Bearing
166610	T4-410-A	Connecting Cable Nut, Screws, & Lock Washer	155130	T4-7530	Thrust Bearing
166615	T4-425	Drum Retaining Bolt w/Grease Fitting	155135	T4-7540	Cable Adjustment Plate
166620	T4-426	Retaining Washer	155140	T4-7541	Plate Screws (3)
166625	T4-427	Felt Washer	155150	T4-7601-1	Feed Control Disk (One Piece)
166624	T4-428	High Collar Lock Washer	155195	T4-7635-1	Wave Washer for One Piece Feed Control Disk
166440	T4-600	1/3 hp Capacitor Motor w/Foot Switch, Reverse Switch, & GFCI	136110	PO-703	Set of Feed Roller Assemblies (3)
166630	T4-601	V-Belt (55" for 1-1/2" Pulley)	166430	T4-GT	Guide Tube for Metro Rooter
166633	T4-601-2	V-Belt (56" for 2" Pulley)	146160	GTE	Guide Tube Extension
166635	T4-602	V-Belt Pulley (1-1/2" for 9/16" Cable)	132210	T4-DECAL	Set of Safety Decals
166637	T4-602-2	V-Belt Pulley (2" for 5/8" & 3/4" Cables)	170990	AFH	Condensed Operating Instructions (Instructions w/Chain & Fittings, Connector, & Screw)
136180	T4-602-R	Optional Slip Clutch	166725	T4OI	Complete Operating Instructions
166640	T4-603	Motor Support Bolts, Nuts, Washers			

SEWERROOTER T-4 SCHEMATIC DIAGRAM



POWER CABLE FEED
SEE DETAIL

IMPORTANT: When ordering, give Serial Number of Machine.