

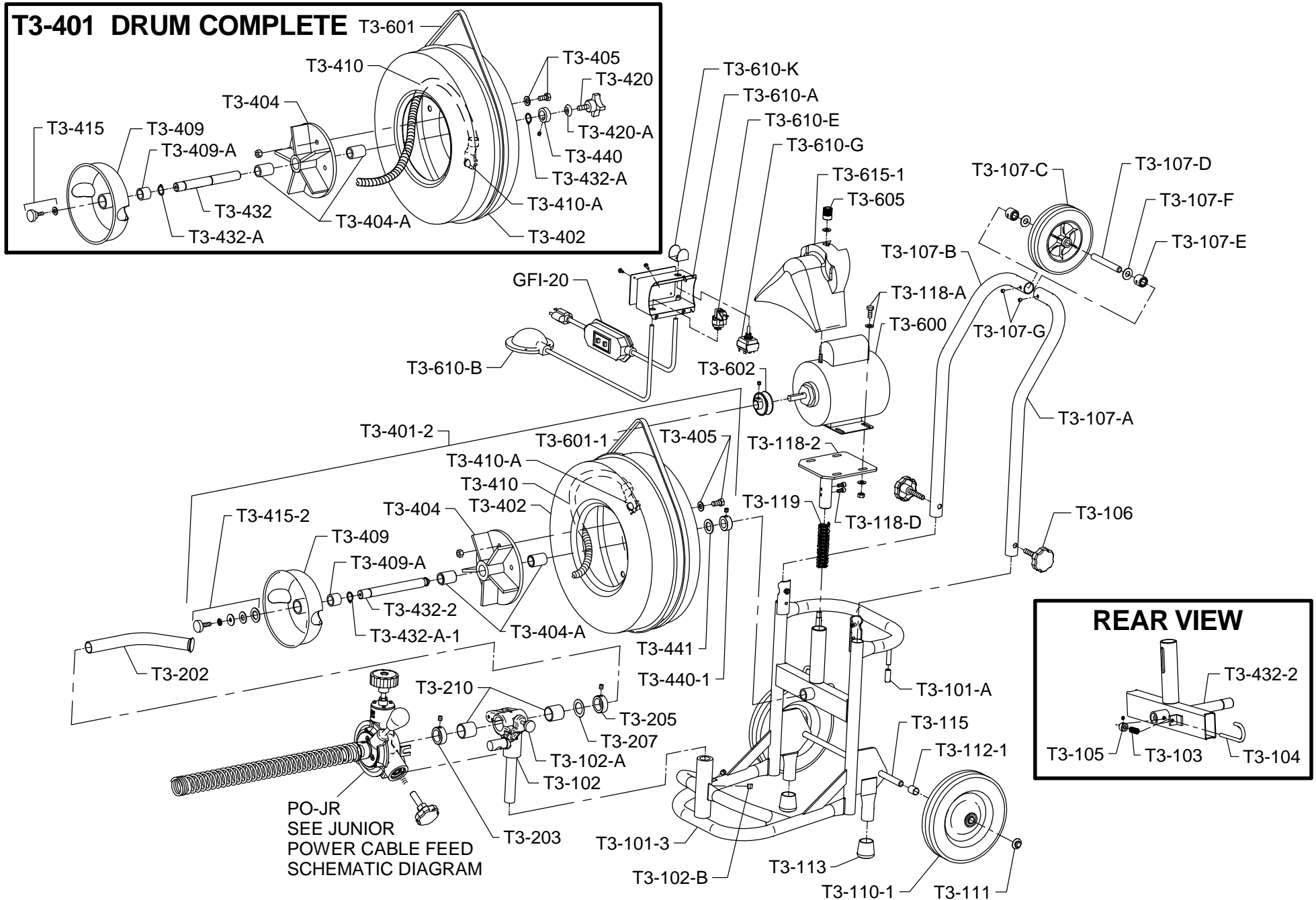
SEWERooter T-3 PARTS LIST

ITEM NO.	CATALOG NO.	DESCRIPTION	ITEM NO.	CATALOG NO.	DESCRIPTION
174401	T3-100-3	Frame Complete (Passive Brake) 10" Wheel	174480	T3-401-2	Drum Complete [^]
174402	T3-101-3	Frame Only (for 10" Wheel w/Passive Brake)	174482	T3-402	Drum Shell
174585	T3-101-A	Rubber Cord Wrap Tips (2)	174485	T3-404	Drum Hub w/Bushings
174404	T3-102	Distributor Tube Support Post & Clamp	174488	T3-404-A	Hub Bushings (2)
174408	T3-102-A	Post Locking Knob	174491	T3-405	Hub Bolts, Nuts & Washers (5)
174409	T3-102-B	3/8" Set Screws (3)	174516	T3-409	Inner Drum Cage w/ Bushing
174410	T3-102-C	Roll Pin	174520	T3-409-A	Cage Bushing
174405	T3-103	Spring	174524	T3-410	Drum Connecting Cable w/ Screws & Lock Nut
174412	T3-104	Shaft Retaining Pin	174523	T3-410-A	Connecting Cable Screws & Lock Nut
174406	T3-105	Collar w/Set Screw	174525	T3-415	Inner Drum Cage Retaining Knob w/Washer*
174411	T3-106	Handle Locking Knobs (2)	174526	T3-415-2	Inner Drum Cage Retaining Knob w/Washers [^]
174413	T3-107	Plated Handles	174528	T3-415-A	Washers [^]
174407	T3-107-A	Left Handle	174531	T3-420	Drum Retaining Knob w/Beveled Collar*
174414	T3-107-B	Right Handle	174535	T3-420-A	Rear Beveled Collar*
174416	T3-107-C	Handle Wheel	174540	T3-432	Drum Shaft*
174415	T3-107-D	Axle for Handle Wheel	174542	T3-432-2	Drum Shaft [^]
174427	T3-107-E	Bushings (2)	174544	T3-432-A	Shaft Retaining Ring*
174428	T3-107-F	Felt Washers (2)	174544	T3-432-A-1	Shaft Retaining Ring (for Passive Brake Frame)
174436	T3-107-G	Set Screws (2)	174545	T3-440	Front Beveled Collar w/Set Screw*
174420	T3-110	8" Wheel w/Cap	174550	T3-440-1	Spacer Collar w/Set Screw [^]
174437	T3-110-1	10" Wheel w/Cap	174546	T3-441	Wear Washer
174422	T3-111	Wheel Retainer Cap	174552	T3-600	Motor w/Foot Switch, Reverse Switch & GFCI
174424	T3-112	Wheel Retaining Spacer (for Brake Rod Frame) (3)	136190	T3-601	V-Belt 53" *
174438	T3-112-1	Wheel Spacer (for Passive Brake Frame) (2)	174556	T3-601-1	V-Belt 52" [^]
174439	T3-113	Rubber Leg Tips (2)	174557	T3-602	V-Belt Pulley
174426	T3-115	Axle	136000	GFI-20	20' Power Cord w/GFCI
174429	T3-118	Motor Support w/Bolts, Nuts & Washers*	174558	T3-605	Belt Guard Knob
174430	T3-118-1	Motor Support w/Bolts, Nuts & Washers [^]	174559	T3-610	Foot Switch & Reverse Switch Assembly
174429	T3-118-2	Motor Support w/Bolts, Nuts & Washers (One Stem) [^]	174567	T3-610-A	Box Only w/Cover & Screws
174431	T3-118-A	Motor Support Bolts, Nuts & Washers (4)	136070	T3-610-B	Foot Pedal & Hose
174432	T3-118-1-B	Bolt & Nut (for Two Stem Motor Support)	174563	T3-610-C	Hose Clamp
174433	T3-118-1-C	Bolt & Washer (for Two Stem Motor Support)	136060	T3-610-D	Foot Pedal Only
174434	T3-118-D	Guide Screws (2) [^]	136080	T3-610-E	Power Switch Diaphragm
174435	T3-119	Motor Support Spring	136050	T3-610-F	Air Hose Only
174445	T3-201	Distributor Tube Assembly	136130	T3-610-G	Reverse Switch (3-Way)
174455	T3-202	Distributor Tube Only	174564	T3-610-K	Switch Guard
174460	T3-203	Front Collar w/Set Screw	156395	T3-610-N	Strain Relief Nut
174465	T3-205	Rear Collar w/Set Screw	174580	T3-615-1	Belt Guard w/Slot for Stud
174470	T3-207	Thrust Bearing Race	146160	T3-GTE	Guide Tube Extension
174475	T3-210	Distributor Tube Bushings (2)	146151	PO-JR	Junior Power Cable Feed
174479	T3-401	Drum Complete*	132210	T3-DECAL	Set of Safety Decals

* For T3-401 Style Drum

[^]For T3-401-2 Style Drum

SEWERooter T-3 SCHEMATIC DIAGRAM



IMPORTANT: When ordering, give Serial Number of Machine.