

## SEWERMATIC 100 PARTS LIST

ITEM NO.	CATALOG NO.	DESCRIPTION	ITEM NO.	CATALOG NO.	DESCRIPTION
151005	STC-100-2	Complete Frame Assembly ●	151500	STC-118-D	Support Angle
151010	STC-101	Front Leg Casting ○	151520	STC-118-F	Cam Assembly Complete
151015	STC-101-2	Front Leg Casting ●	151550	STC-119	Leg Support Rod
151021	STC-102-1	Right Side Leg Casting ■	151560	STC-119-A	3/4" x 3/8" Bolt (2)
151025	STC-102-2	Right Side Leg Casting ●	151600	STC-200	Drum Complete (Incl. Distributor Tube & Drum Connecting Cable)
151030	STC-102-A	Locking Hinge for 5/16" Screw	151680	STC-201	Drum Shell
151035	STC-102-A-1	Locking Hinge for 3/8" Screw	151690	STC-202	Distributor Tube w/Bushings & Locking Screws
151040	STC-102-B	5/16" Thumb Screw	151700	STC-202-A	Beveled Bushing for Distributor Tube
151045	STC-102-B-1	3/8" Thumb Screw	151710	STC-202-B	Rear Bushing for Distributor Tube
151050	STC-102-C	Locking Hinge Pivot Screw	151720	STC-202-C	1" x 2-5/8" Dia. Bushing for Distributor Tube
151071	STC-103-1	Left Side Leg Casting ■	151725	STC-202-D	Cable Locking Set Screw
151075	STC-103-2	Left Side Leg Casting ●	151740	STC-203	Front Drum Casting
151080	STC-103-A	Locking Hinge for 5/16" Screw	151755	STC-204-1	Drum Hub Casting
151085	STC-103-A-1	Locking Hinge for 3/8" Screw	151757	STC-204-1-A	Drum Hub Bushing
151090	STC-103-B	5/16" Thumb Screw	151760	STC-205-1	3/8" Bolt, Nut & Washers (8)
151095	STC-103-B-1	3/8" Thumb Screw	151795	STC-208-1	Drum Support Shaft
151100	STC-103-C	Locking Hinge Pivot Screw	151800	STC-208-A	Support Shaft Fiber Washer Front
151125	STC-104-2	Saddle Casting ○	151810	STC-208-B	Support Shaft Fiber Washer Rear
151125	STC-104-2	Saddle Casting ●	151812	STC-208-C	Snap Rings (2)
151130	STC-104-A	Motor Support Set Screw (2)	151813	STC-208-D	Drum Hub Fiber Washers (2)
151140	STC-104-B	Pressure Plate	151820	STC-209	2-3/4" Fiber Washer
151150	STC-104-C	Pressure Plate Screw	151830	STC-210	Drum Connecting Cable w/ Nut, Screws, & Lock Washer
151160	STC-104-D	Front Belt Guard Locking Screw	151840	STC-210-A	Connecting Cable Nut, Screws, & Lock Washer
151170	STC-104-E	1-3/4" x 1-1/2" Diameter Bushing	151914	STC-600-6	3/4 hp Double Shaft Motor w/Rev. Switch & Foot Switch Assembly & GFCI ○
151180	STC-104-F	1.75 OD x 1.5 ID x .875 L Bushing	151910	STC-600-7	3/4 hp Double Shaft Motor w/Rev. Switch & Foot Switch Assembly & GFCI ●
151190	STC-104-H	Steel Bearing	151920	STC-601	Drum V-Belt (59")
151200	STC-104-J	Grease Retainer □	151930	STC-602	Motor Support Bolts (4), Nuts (4) & Washers (8)
151205	STC-104-K	Guide Pins	136000	GFI-20	20" Power Cord w/GFCI
151211	STC-105-1	Hinged Drum Support Casting ■	152025	STC-605-6	Complete Reverse Switch & Air Foot Switch Assy ◆
151215	STC-105-2	Hinged Drum Support Casting ●	152026	STC-605-6-A	Box Only w/Cover & Screws
151590	STC-105/116	Hinged Drum Support Casting & Handle Assembly	136070	STC-605-B	Foot Pedal & Hose
151220	STC-105-A	Pillow Bearing w/Screws & Washers	152028	STC-605-6-C	Hose Clamp
151230	STC-105-B	Handle Locking Thumb Screw (2)	136060	STC-605-D	Foot Pedal Only
151231	STC-105-B-1	Handle Locking Plastic Thumb Screw (2)	136080	STC-605-6-E	Power Switch Diaphragm
151240	STC-105-C	Drum Latch, Nut, Bolt & Washer ★	136050	STC-605-F	Air Hose Only
151241	STC-105-C-1	New Style Drum Latch ‡	136130	STC-605-6-G	Reverse Switch Only (3-Way)
151250	STC-105-D	Drum Latch Retaining Spring ★	156393	STC-605-6-J	Barbed Adapter
151253	STC-105-E	Drum Latch Plastic Locking Knob w/Lock Washer ‡	152035	STC-605-6-K	Switch Guard
151270	STC-106	Square Tubular Frame Member	156395	STC-605-6-N	Strain Relief Nut
151280	STC-107	Stair Climber	152110	STC-609	Front Motor Pulley
151290	STC-107-A	Stair Climber Nut, Bolt & Spacer (2)	152120	STC-610	Front V-Belt (36")
151300	STC-108	6" Wheel	152130	STC-611	Motor Support Casting
151310	STC-109	Axle & Allen Screw	152160	STC-612	Cord Wraps w/Nuts (4) & Rubber Tips (2)
151320	STC-109-A	Wheel Locking Ring (2)	152165	STC-616	Cord Clamp
151330	STC-110-2	Motor Support Post (2) □	152170	STC-617	Cord Clamp Screw (2)
151333	STC-111	1-3/4" Frame Screw (5)	152220	STC-618	Rear Motor Pulley w/Set Screw
151340	STC-113	2-1/4" Frame Screw (4)	152240	STC-619-1	Rear Belt Guard
151350	STC-114	Frame Screw Washer (11)	152250	STC-619-A	Retaining Spring for Rear Belt Guard
151355	STC-115	3/8" Nut (4)	152255	STC-619-B	Belt Guard Retaining Strap
151375	STC-116-1	Complete Handle Assembly ‡	152570	PO-ST1/GT	Power Cable Feed & Guide Tube ●
151381	STC-116-A-1	Right Handle	152520	ST1-GT	Guide Tube ●
151391	STC-116-B-1	Left Handle	146160	GTE	Guide Tube Extension
151400	STC-116-C	6" Handle Wheel	152270	STC-700	Clutch Assembly ○
151410	STC-116-D	Handle Wheel Axle	152270	STC-700-A	Assembled Clutch Assembly ○
151431	STC-116-F-1	Rubber Leg Tip for Handle (2)	152290	STC-701	Clutch Cone w/Thrust Bearing
151440	STC-116-G	Handle Stop Bolt & Lock Nut (2)	152300	STC-701-A	Thrust Bearing & Races
151441	STC-116-H	Handle Wheel Felt Washers (2)	152310	STC-701-B	Thrust Bearing Retaining Ring
151442	STC-116-J	Handle Wheel Bushings (2)	152320	STC-702	Inner Clutch Body
151450	STC-117	Front Belt Guard			
151460	STC-118	Cam Assembly Complete ○			
151465	STC-118-2	Motor Support Springs (2) ●			
151479	STC-118-A	Plastic Knob			

- Part for Serial # S18K111 & Up
- Part for Serial # Up to ST8R611
- Part for Serial # 08387 to ST8R611
- Part for Serial # BST-384 & Up

- ★ Part for Serial # Up to 08386
- ‡ Part for Serial # 08387 & Up
- ◆ Part for Serial # 08508 & Up
- Ω Part for Serial # BST-384 thru ST8R611

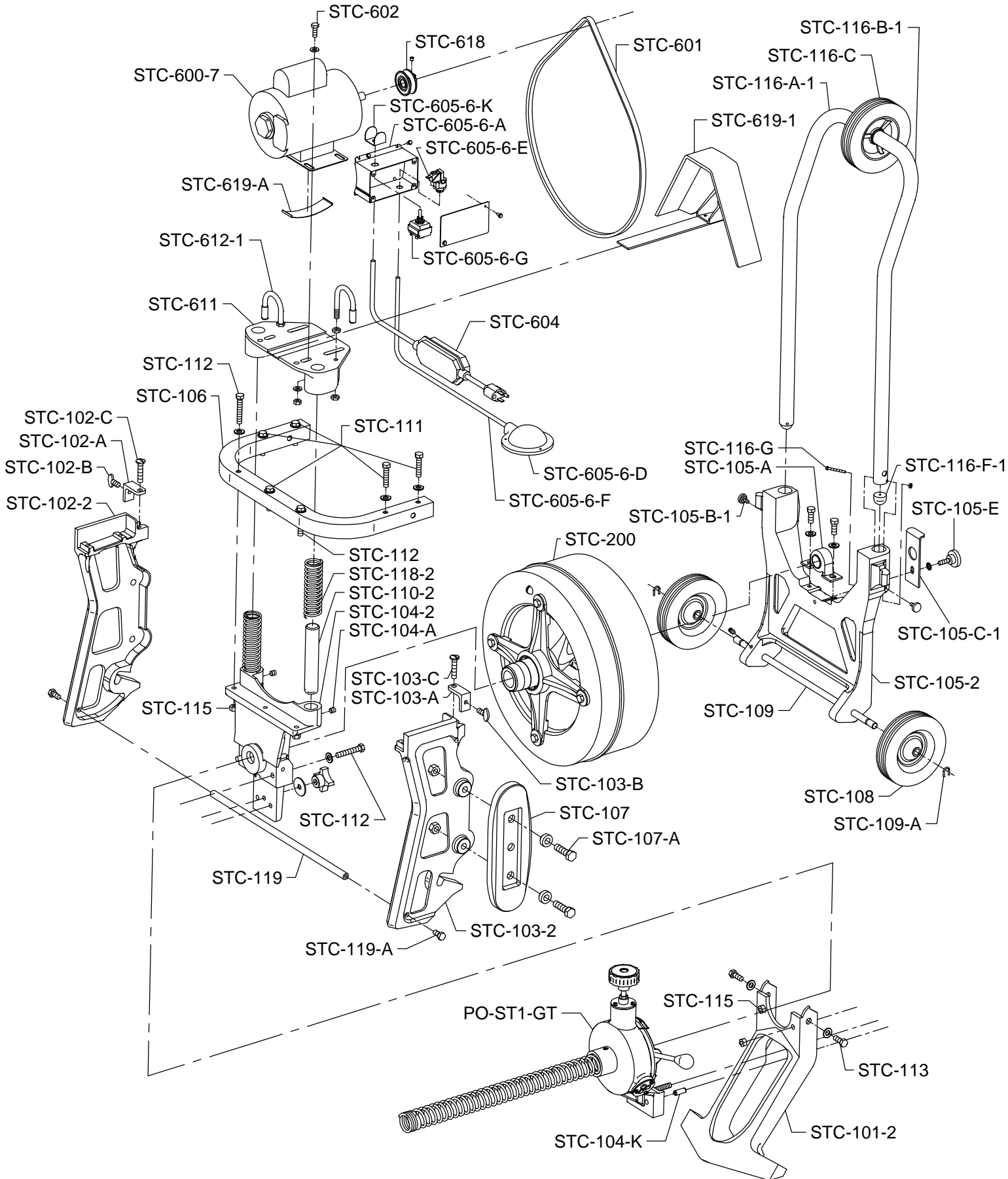
## SEWERMATIC 100 - Continued

ITEM NO.	CATALOG NO.	DESCRIPTION	ITEM NO.	CATALOG NO.	DESCRIPTION
152330	STC-702-A	Reinforcing Ring	152430	STC-708-A	Clutch Pulley Set Screw (4)
152340	STC-702-B	Clutch Cover Screws (2)	152440	STC-708-B	Clutch Pulley Thrust Bearing
152350	STC-702-C	Cable Guide Aligning Ring	152450	STC-709	Clutch Cam Casting
152360	STC-702-D	Clutch Body Set Screw (2)	152460	STC-710	Clutch Lever & Knob
152370	STC-703	Universal Cable Guide Set, 2 pcs.	152470	STC-711	Clutch Cam Follower
152380	STC-704	Cone Springs (2)	152480	STC-712	Cam Follower Guide Stud & Lock Nut (2)
152390	STC-705	Clutch Shaft	152490	STC-713	Clutch Cover
152410	STC-707	Clutch Cam Casting Steel Plate	152540	TB-STC	Tool Box
152420	STC-708	Clutch Pulley w/Thrust Bearing	132210	STC-DECAL	Set of Safety Decals

- Part for Serial # S18K111 & Up
- Part for Serial # Up to ST8R611
- Part for Serial # 08387 to ST8R611
- Part for Serial # BST-384 & Up

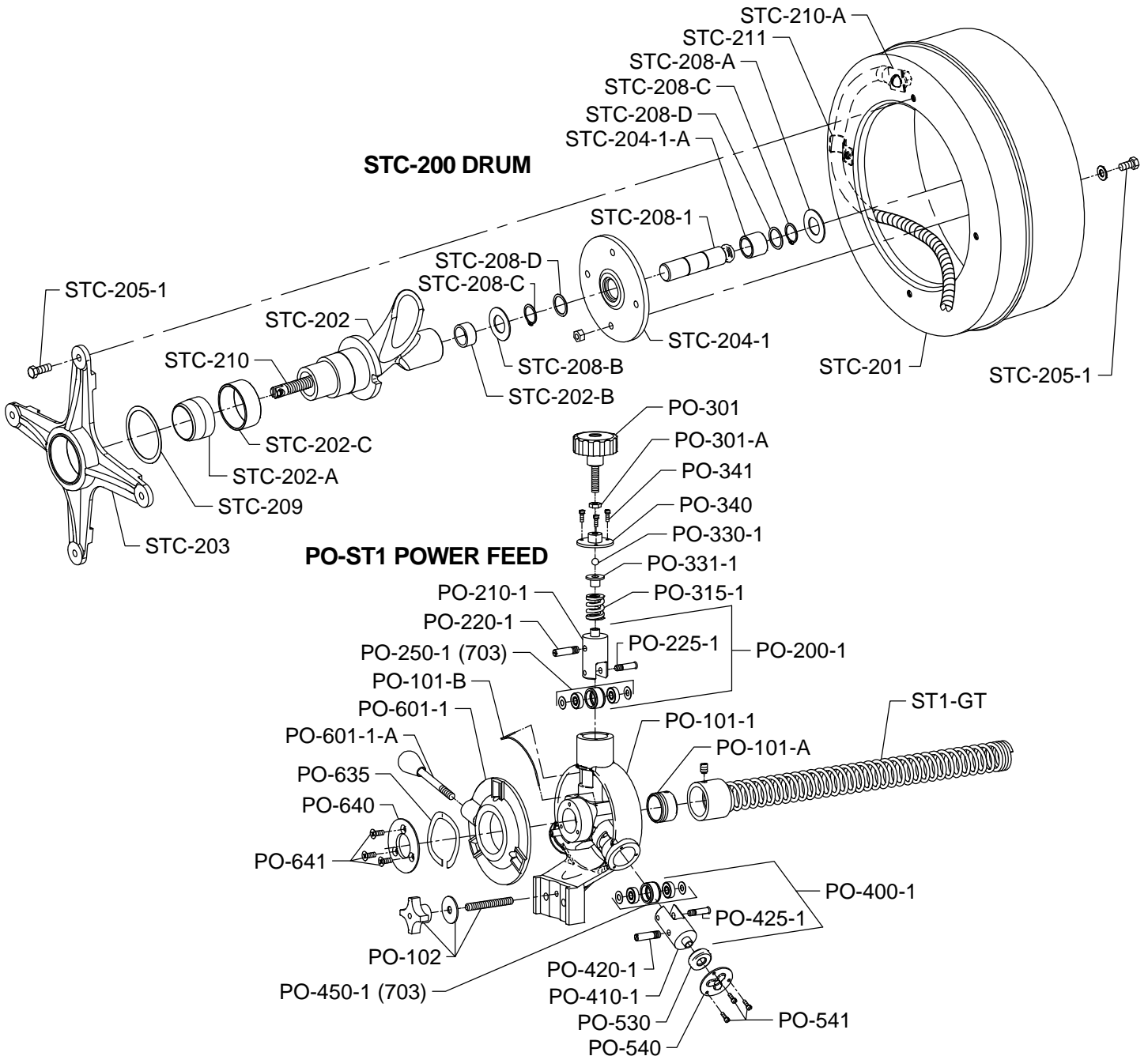
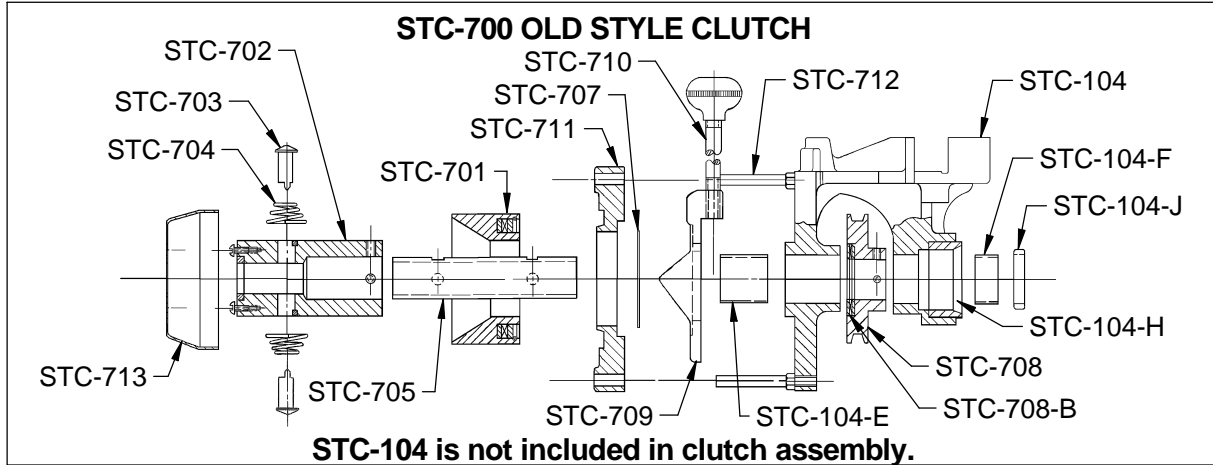
- ★ Part for Serial # Up to 08386
- ‡ Part for Serial # 08387 & Up
- ◆ Part for Serial # 08508 & Up
- Ω Part for Serial # BST-384 thru ST8R611

# SEWERMATIC 100 SCHEMATIC DIAGRAM



**IMPORTANT: When ordering, give Serial Number of Machine.**

# SEWERMATIC 100 SCHEMATIC DIAGRAM



**IMPORTANT: When ordering, give Serial Number of Machine.**