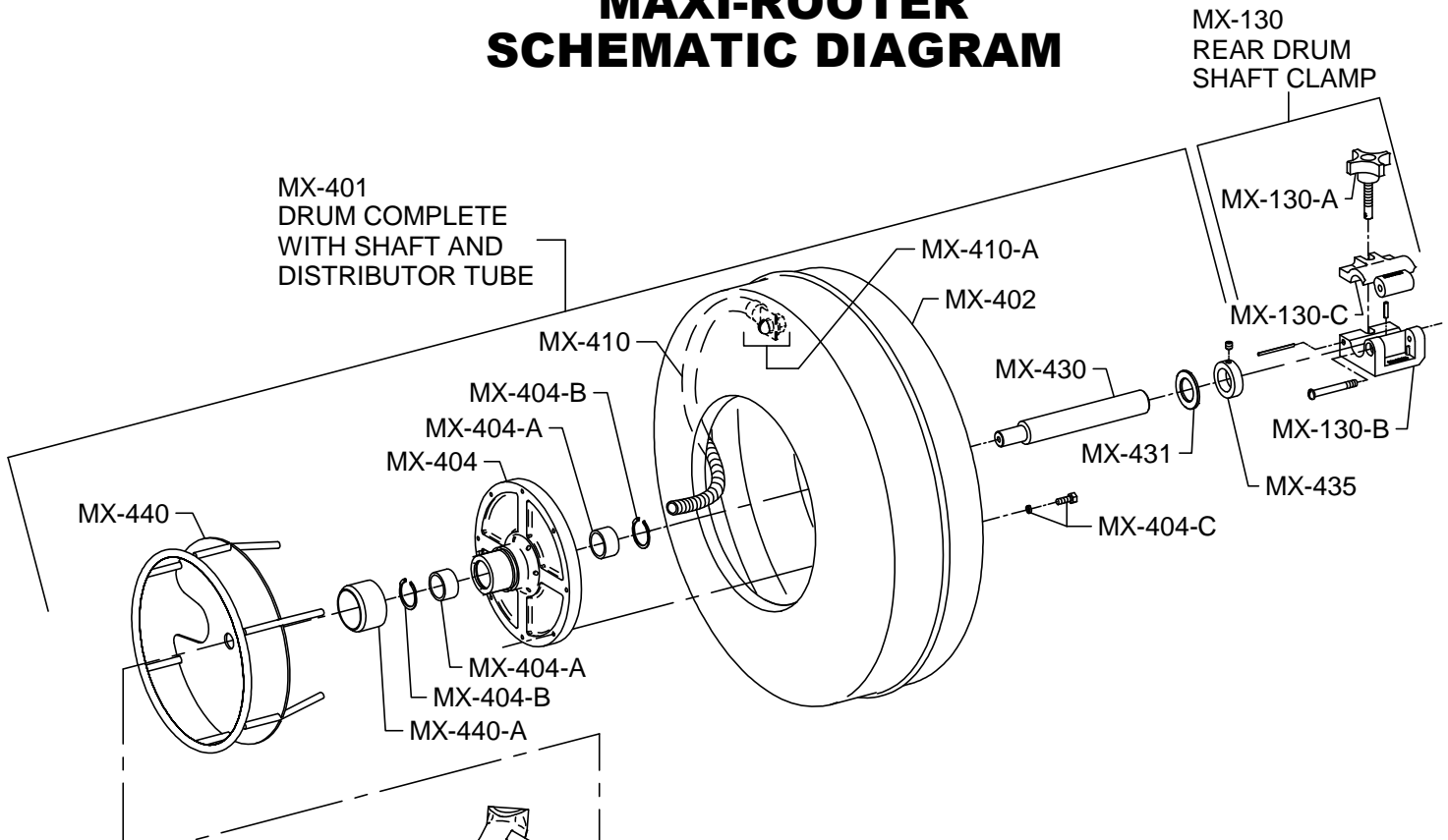


## MAXI-ROOTER PARTS LIST

ITEM NO.	CATALOG NO.	DESCRIPTION	ITEM NO.	CATALOG NO.	DESCRIPTION
175100	MX-100	Frame Complete	175478	MX-440-A	Bushing
175101	MX-101	Frame Only	175481	MX-440-B	Edging
175102	MX-101-A	Front Post Guide Bolts (2)	175500	MX-600	3/4 hp Motor w/Air Foot Switch, Reverse Switch Assembly & Ground Fault Circuit Interrupter
175104	MX-101-B	Wheel Brake Clip & Screws	175520	MX-601	V-Belt (70")
175107	MX-101-C	Round Head Screws for Handle (2)	175522	MX-602	V-Belt Pulley w/Set Screw
175109	MX-101-D	Set Screws for Motor Support Guide Tube	175525	MX-603	Knob for Mounting Stud
175110	MX-101-E	Clip & Screws for Tool Box	136000	GFI-20	20' Power Cord w/Plug & GFCI
175112	MX-101-F	Lifting Handle Assembly	155526	MX-605	Air Foot Switch & Reverse Switch Assembly
175113	MX-101-G	Front Lifting Handle Cap (2)	155527	MX-605-A	Box Only w/Cover & Screws
175114	MX-101-H	Cord Wrap w/Jam Nut (2)	136070	MX-605-B	Foot Pedal & Hose
175115	MX-101-J	Rubber Cord Wrap Tips (2)	155529	MX-605-C	Hose Clamp
175103	MX-103	Stair Climber w/Belt (1)	136060	MX-605-D	Foot Pedal Only
175111	MX-103-A	Nuts, Bolts, & Spacers for Stair Climber (4)	136080	MX-605-E	Power Switch Diaphragm
175105	MX-107	Handle Assembly	136050	MX-605-F	Air Hose
175106	MX-107-A	Handle - Left	136130	MX-605-G	Reverse Switch - 3-Way
175108	MX-107-B	Handle - Right	175536	MX-605-K	Switch Guard
175120	MX-107-C	6" Handle Wheel	175540	MX-606	Washer
175130	MX-107-D	Axle for Handle Wheel	175546	MX-609	Belt Guard w/Velcro
175123	MX-107-E	Bushings for Handle Wheel (2)	175550	MX-609-1	Belt Guard w/Slot for Mounting Stud
175126	MX-107-F	Felt Washers (2)	175600	MX-7000	Power Cable Feed Assembly
175129	MX-107-G	Set Screws (2)	175605	MX-7101	Feed Body
175140	MX-108	Brake Rod	175605	MX-7101-1	Feed Body for One Piece Feed Control Disk
175146	MX-108-B	Collar w/Set Screw	175608	MX-7101-A	Lifting Spring
175210	MX-109-A	Knob for Brake Rod Handle	175610	MX-7101-B	Socket Head Cap Screws (2)
175220	MX-110	10" Heavy Duty Wheel w/Retaining Cap (1)	175620	MX-7102	Mounting Stud
175230	MX-111	Wheel Retaining Cap	175625	MX-7103	Knob
175235	MX-112	Wheel Spacers (2)	175630	MX-7104	Spout & Retaining Cover
175240	MX-115	Axle	155021	MX-7104-1	Spout for One Piece Feed Control Disk
175245	MX-116	Motor Support Spring	156380	MX-7105	Fender Washer
175250	MX-117	Motor Support Guide Tube (2 Tubes)	175635	MX-7200	Top Roller Assembly
175251	MX-117-1	Motor Support Guide Tube (1 Tube)	155031	MX-7210	Top Carrier Only
175255	MX-118	Motor Support Bracket (2 Stem)	155036	MX-7220	Swing Pin
175256	MX-118-1	Motor Support Bracket (1 Stem)	155041	MX-7225	Feed Roller Shaft
175258	MX-118-A	Guide Screws	136120	MX-7250	Feed Roller w/Bearing
175257	MX-118-C	Nuts, Bolts, & Washers (4)	155060	MX-7301	Feed Pressure Knob
175260	MX-120	Front Post Cap	155062	MX-7301-A	Limiting Nut
175330	MX-130	Rear Drum Shaft Clamp	155066	MX-7315	Pressure Spring
175340	MX-130-A	Drum Clamp Knob	155070	MX-7330	Ball Bearing
175365	MX-130-D	Mounting Bolts & Washers (4)	155076	MX-7331	Ball Bearing Holder
175400	MX-401	Drum Complete w/Shaft & Distributor Tube	175685	MX-7340	Top Cover
175405	MX-402	Drum Shell	155085	MX-7341	Cover Screws (3)
175410	MX-404	Drum Hub w/Bearings	155091	MX-7400	Bottom Roller Assembly
175413	MX-404-A	Bearings (2)	155096	MX-7410	Bottom Carrier Only
175416	MX-404-B	Retaining Rings (2)	155100	MX-7420	Swing Pin
175419	MX-404-C	Bolts & Washers (12)	155106	MX-7425	Bottom Roller Shaft
175420	MX-410	Drum Connecting Cable w/ Nut, Screws, & Lock Washer	136120	MX-7450	Bottom Roller w/Bearing
175425	MX-410-A	Connecting Cable Nut, Screws, & Lock Washer	155130	MX-7530	Thrust Bearing
175428	MX-420	Distributor Tube Assembly	175720	MX-7540	Cable Adjustment Plate
175435	MX-422	Bushing	175725	MX-7541	Plate Screws (3)
175440	MX-423	Retaining Ring	175735	MX-7601	Feed Control Disc w/Lever & Knob
175445	MX-424	Thrust Bearing Race	175738	MX-7601-A	Lever & Knob
175450	MX-425	Distributor Tube Retaining Knob w/Bearing Assy.	155150	MX-7601-1	Feed Control Disk (One Piece)
175453	MX-425-A	Bearing Assembly for Retaining Knob	155190	MX-7635	Wave Washer
175454	MX-425-B	Fender Washer	155195	MX-7635-1	Wave Washer for One Piece Feed Control Disk
175455	MX-425-C	Fiber Washer	136110	PO-703	Set of Feed Rollers (3)
175460	MX-430	Drum Shaft	175920	MX-TB	Tool Box
175465	MX-431	Wear Washer	154630	MX-GT	Guide Tube
175470	MX-435	Spacer Collar w/Set Screw	146160	GTE	Guide Tube Extension
175475	MX-440	Inner Drum Cage	132210	MX-DECAL	Set of Safety Decals

# MAXI-ROOTER SCHEMATIC DIAGRAM



MX-130  
REAR DRUM  
SHAFT CLAMP

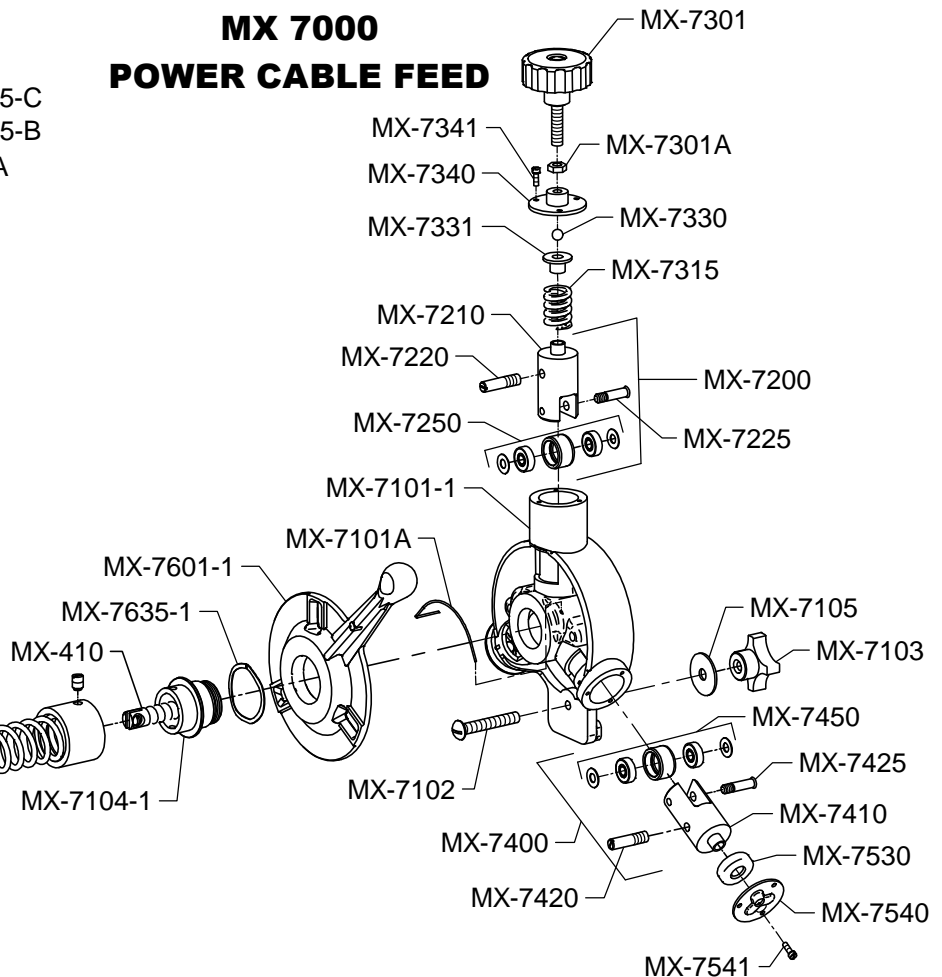
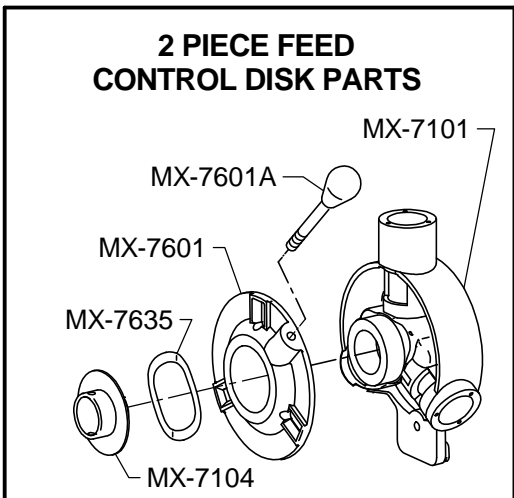
MX-130-A

MX-130-C

MX-130-B

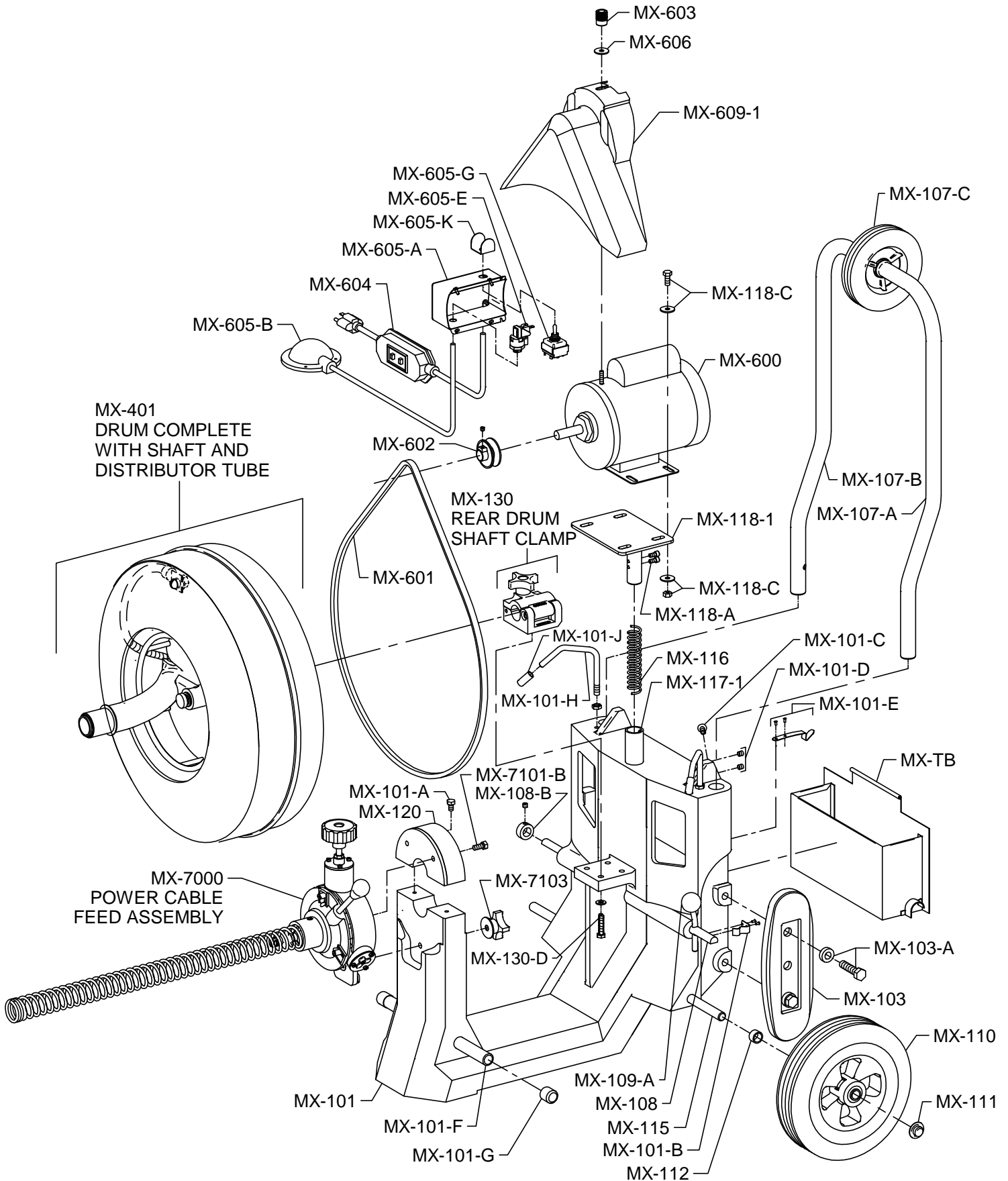
MX-435

## MX 7000 POWER CABLE FEED



**IMPORTANT: When ordering, give Serial Number of Machine.**

# MAXI-ROOTER SCHEMATIC DIAGRAM



**IMPORTANT: When ordering, give Serial Number of Machine.**