

Metro-Rooter™ **Operating Instructions**

For 3" through 10" lines
(75mm—250mm)



Your Metro-Rooter is designed to give you years of trouble-free, profitable service. However, no machine is better than its operator.

Read, understand and follow all safety warnings and instructions provided with the product. Failure to follow the warnings and instructions may result in electric shock and/or serious injury. Save all warnings and instructions for future reference.

SAVE THESE INSTRUCTIONS!

Pour français voir la page 11

Para ver el español vea la página 21

General
PIPE CLEANERS



WARNING

Read and understand operator's manual before using this machine. Failure to follow operating instructions could result in death or serious injury.

WARNING! Read and understand all instructions. Failure to follow all instructions listed below may result in electric shock, fire and/or serious personal injury. Replacement manuals are available upon request at no charge, or may be downloaded from our website, www.drainbrain.com. Instructional videos are available for download on our website, and may be ordered. If you have any questions or problems, please call General's customer service department at 412-771-6300.

SAVE THESE INSTRUCTIONS!

These instructions are intended to familiarize all personnel with the safe operation and maintenance procedures for the Metro-Router.

SAFETY SYMBOLS



This is the safety alert symbol. It is used to alert you to potential personal injury hazards. Obey all safety messages that follow this symbol to avoid possible injury or death.

DANGER

DANGER indicates a hazard with a high level of risk which, if not avoided, will result in death or serious injury.

WARNING

WARNING indicates a hazard with a medium level of risk which, if not avoided, could result in death or serious injury.

CAUTION

CAUTION indicates a hazard with a low level of risk which, if not avoided, will result in minor or moderate injury.

WARNING



Electric shock resulting in death can occur if you plug this machine into an improperly wired outlet. If the ground wire is electrified, you can be electrocuted by just touching the machine, even when the power switch is off. A ground fault circuit interrupter will not protect you in this situation. Use a UL approved tester to determine if the outlet is safe.



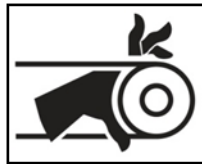
Do not operate power tools in explosive atmospheres, such as in the presence of flammable liquids, gases, or dust. Power tools create sparks which may ignite the dust or fumes.



Only wear leather gloves. Never use any other type of glove, such as cloth, rubber, or coated gloves. Never grasp a rotating cable with a rag. These items could become wrapped around the cable and cause serious injury.



Always wear safety glasses and rubber soled, non-slip shoes. Use of this safety equipment may prevent serious injury.



Never operate machine with belt guard removed. Fingers can get caught between belt and pulley.



Do not overstress cables. Overstressing cables may cause twisting, kinking, or breaking of the cable and may result in serious injury.

GENERAL SAFETY RULES

WARNING

Read and understand all instructions. Failure to follow all instructions listed below may result in electric shock, fire, and/or serious injury.

SAVE THESE INSTRUCTIONS!

Work Area

1. **Keep work area clean and well lit.** Cluttered benches and dark areas invite accidents.
2. **Do not operate power tools in explosive atmospheres, such as in the presence of flammable liquids, gases, or dust.** Power tools create sparks which may ignite the dust or fumes.
3. **Keep bystanders, children, and visitors away while operating a power tool.** Distractions can cause you to lose control.

Electrical Safety

1. **Grounded tools must be plugged into an outlet, properly installed and grounded in accordance with all codes and ordinances. Never remove the grounding prong or modify the plug in any way. Do not use any adapter plugs. Check with a qualified electrician if you are in doubt as to whether the outlet is properly grounded.** If the tool should electrically malfunction or break down, grounding provides a low resistance path to carry electricity away from the user.
2. **Avoid body contact with grounded surfaces such as pipes, radiators, ranges and refrigerators.** There is an increased risk of electric shock if your body is grounded.
3. **Do not expose power tools to rain or wet conditions.** Water entering a power tool will increase the risk of electric shock.
4. **Do not abuse the cord.** Never use the cord to carry the tools or pull the plug from an outlet. Keep cord away from heat, oil, sharp edges or moving parts. Replace damaged cords immediately. Damaged cords increase the risk of electric shock.
5. **When operating a power tool outside use an outdoor extension cord marked "W-A" or "W".** These cords are rated for outdoor use and reduce the risk of electric shock.
6. **Test the Ground Fault Circuit Interrupter (GFCI) provided with the power cord to insure it is operating correctly before operating machine.** Machine must have a properly functioning ground fault circuit interrupter on the power cord. GFCI reduces the risk of electric shock.
7. **Extension cords are not recommended unless they are plugged into a Ground Fault Circuit Interrupter (GFCI) found in circuit boxes or outlet receptacles.** The GFCI on the machine power cord will not prevent electric shock from the extension cords.
8. **Only use proper three-wire extension cords in good condition which have three-prong grounding plugs and three-pole receptacles which accept the tool's plug.** Use of damaged, inferior, or other extension cords will not ground the tool. Increases the risk of electric shock and bodily injury or death.
9. **Keep all electric connections dry and off the ground.** Reduces the risk of electric shock.
10. **DO NOT touch plugs or tools with wet hands.** Reduces the risk of electric shock.

Personal Safety

1. **Stay alert, watch what you are doing and use common sense when operating a power tool. Do not use tool while tired or under the influence of drugs, alcohol, or medication.** A moment of inattention while operating power tools may result in serious personal injury.
2. **Dress properly. Do not wear loose clothing or jewelry. Contain long hair. Keep your hair, clothing, and gloves away from moving parts.** Loose clothes, jewelry, or long hair can be caught in moving parts.
3. **Avoid accidental starting. Be sure switch is off before plugging in.** Carrying tools with your finger on the switch, or plugging in tools that have the switch on invites accidents.
4. **Remove adjusting keys or switches before turning the tool on.** A wrench or key that is left attached to a rotating part of the tool may result in personal injury.
5. **Do not overreach. Keep proper footing and balance at all times.** Proper footing and balance enables better control of the tool in unexpected situations.
6. **Use safety equipment. Always wear eye protection.** Dust mask, non-skid safety shoes, hard hat, or hearing protection must be used for appropriate conditions.

Tool Use and Care

1. **Use clamps or other practical way to secure and support the workpiece to a stable platform.** Holding the work by hand or against your body is unstable and may lead to loss of control.
2. **Do not force tool. Use the correct tool for your application.** The correct tool will do the job better and safer at the rate for which it is designed.
3. **Do not use tool if switch does not turn it on or off.** Any tool that cannot be controlled with the switch is dangerous and must be repaired.
4. **Disconnect the plug from the power source before making any adjustments, changing accessories, or storing the tool.** Such preventative safety measures reduce the risk of starting the tool accidentally.
5. **Store idle tools out of reach of children and other untrained persons.** Tools are dangerous in the hands of untrained users.
6. **Maintain tools with care. Keep cutting tools sharp and clean.** Properly maintained tools, with sharp cutting edges are less likely to bind and are easier to control.
7. **Check for misalignment or binding of moving parts, breakage of parts, and any other condition that may affect the tool's operation. If damaged, have the tool serviced before using.** Many accidents are caused by poorly maintained tools.
8. **Only use accessories that are recommended by the manufacturer for your model.** Accessories that may be suitable for one tool may become hazardous when used on another tool.

Service

1. **Tool service must be performed only by qualified repair personnel.** Service or maintenance performed by unqualified repair personnel could result in a risk of injury.
2. **When servicing a tool, use only identical replacement parts. Follow instructions in the Maintenance section of this manual.** Use of unauthorized parts or failure to follow Maintenance Instructions may create a risk of electric shock or injury.

SPECIFIC SAFETY RULES



This is the safety alert symbol. It is used to alert you to potential personal injury hazards. Obey all safety messages that follow this symbol to avoid possible injury or death.



Electric shock resulting in death can occur if you plug this machine into an improperly wired outlet. If the ground wire is electrified, you can be electrocuted by just touching the machine, even when the power switch is off. A ground fault circuit interrupter will not protect you in this situation. Use a UL approved tester to determine if the outlet is safe.



Do not overstress cables. Overstressing cables may cause twisting, kinking, or breaking of the cable and may result in serious injury.

1. **Only wear leather gloves.** Never use any other type of glove, such as cloth, rubber, or coated gloves. Never grasp a rotating cable with a rag. These items could become wrapped around the cable and cause serious injury.
2. **Never operate machine with belt guard removed.** Fingers can get caught between belt and pulley.
3. **Do not overstress cables.** Keep leather-gloved hand on the cable for control when machine is running. Overstressing cables because of an obstruction may cause twisting, kinking, or breaking of the cable and may result in serious injury.
4. **Place the machine at a distance not greater than two feet from the opening.** Greater distances can result in cable twisting or kinking.
5. **Machine is designed for ONE-PERSON operation.** Operator must control foot switch and cable.
6. **Do not operate machine in reverse (REV).** Operating machine in reverse can result in cable damage and is used only to back cutting tool out of an obstruction.
7. **Keep hands away from rotating drum.** Do not reach into drum unless machine is unplugged. Hand may be caught in the moving parts resulting in serious injury.
8. **Be careful when cleaning drains where cleaning chemicals have been used.** Avoid direct contact with skin and eyes. Drain cleaning chemicals can cause serious burns as well as damage the cable.
9. **Do not operate machine if operator or machine is standing in water.** Will increase risk of electrical shock.
10. **Wear safety glasses and rubber soled, non-slip shoes.** Use of this safety equipment may prevent serious injury.
11. **Before starting each job, check that the cable in the drum is not broken or kinked, by pulling the cable out and checking for wear or breakage.** Always replace worn out (kinked or broken) cables with genuine GENERAL replacement cables.
12. **Only use this tool in the application for which it was designed. Follow the instructions on the proper use of the machine.** Other uses or modifying the drain cleaner for other applications may increase risk of injury.

Ground Fault Circuit Interrupter (GFCI)

Your machine is equipped with a ground fault circuit interrupter, which protects you against shock if a short circuit should occur. Check that receptacle is properly grounded. Test the GFCI before each use.

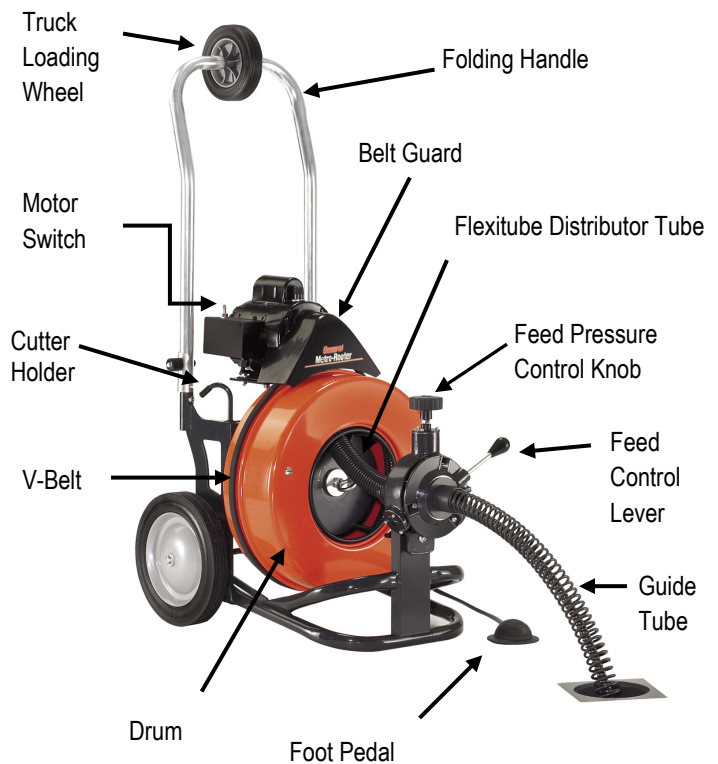
1. Plug into 120-volt receptacle.
2. Push test button. Indicator light will go out and power to machine should cut off.
3. If light does not go out when test button is pushed, **DO NOT USE THE MACHINE** until proper repairs can be made.
4. To restore power after test, push reset button. With the reset button depressed, if the machine doesn't start, stops while running, or if the operator experiences a mild shock, **DO NOT USE THE MACHINE!** Tag the machine out of service and take it to a motor repair center or return it to the factory for repairs.



THE SECTION OF CORD BETWEEN THE WALL PLUG AND THE GFCI IS NOT IN THE PROTECTED CIRCUIT.

FEATURES

Closed Drum Metro-Router



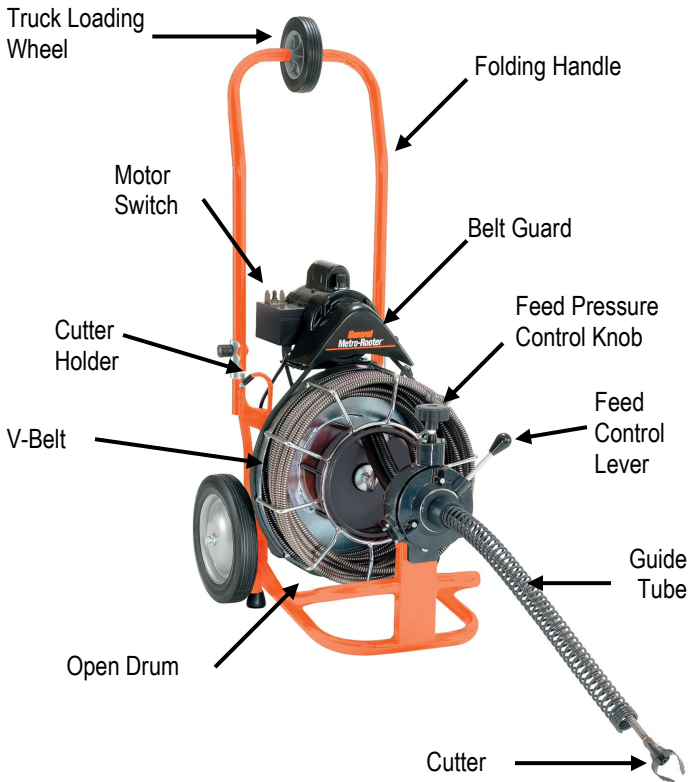
NOTE: Do not operate machine if warning labels on the switch box and power cord are missing or illegible.

The handle folds for compact storage.



FEATURES

Open Drum Metro-Rooter



NOTE: Do not operate machine if warning labels on the switch box and power cord are missing or illegible.

The handle folds for compact storage. (Closed Drum model shown right.)



Cable Application Chart (Table 1)

Cable Size	Pipe Size	Typical Applications	Max. Capacity
1/2"	3" to 4"	Laundry Tubs, Roof Vents, Stacks (No roots)	100 ft.
5/8"	3" to 6"	Floor Drains, Clean Outs, Roots	75 ft.
3/4"	4" to 10"	Large Drains, Long Runs, Roots	50 ft.

Cutter Application Chart (Table 2)

Cutter	Cat. #	Typical Applications
Cutters for 1/2" Cables		
Arrow Head	AH	Starting tool, ideal for cutting and scraping.
1-1/2" U-Cutter	1-1/2UC	Starting tool, to remove loose objects.
2" U-Cutter	2UC	Starting tool, to remove loose objects.
Small Retrieving Tool	RTR-1	To remove loose objects and broken cables.
Cutters for 5/8" and 3/4" Cables		
Spear Head	SHD	Starting tool, ideal for cutting and scraping.
2" U-Cutter	2UC	Starting tool, to remove loose objects.
3" Heavy Duty Side Cutter	3HDSC	Finishing tool, for scraping inside edges of pipe.
3" Heavy Duty Saw Blade	3HDB	Cutting roots and heavy stoppages.
Retrieving Tool	RTR-2	To remove loose objects and broken cables.

Optional Accessories for 5/8" and 3/4" Cables:

Flexible Leader	LE3	To get through traps.
-----------------	-----	-----------------------

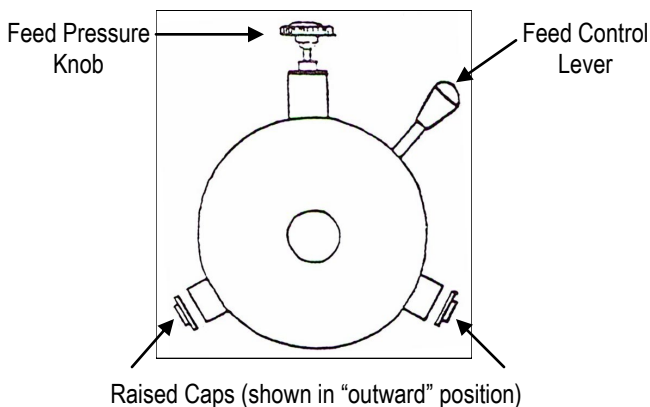
Note: There are no fixed rules for what cutter to use. If one tool doesn't take care of a stoppage, simply try another.

OPERATION

Set-Up

! MAKE SURE THE MOTOR SWITCH IS IN THE 'OFF' POSITION!

1. Place machine within approximately two feet of drain opening. Be sure the Metro-Rooter Guide Tube (ME-GT) is in place. If you can't place the machine this close to the drain opening, run the cable through the optional Guide Tube Extension (GTE) or a metal guide tube to prevent cable whipping. On manual feed machines, always keep a gloved hand on the cable.
2. Position the foot pedal for easy accessibility. The machine is designed for one-person operation. Be sure you can quickly remove your foot from the pedal in an emergency.
3. Be sure the motor switch is in the **OFF** position.
4. Make sure the Power Cable Feed is set to match the cable size you have selected. If you're using 3/4" or 5/8" cables, the feed should be assembled with the raised side of the lower two caps outward. If you are using 1/2" cable, the feed should be assembled with the raised side of the caps inward.

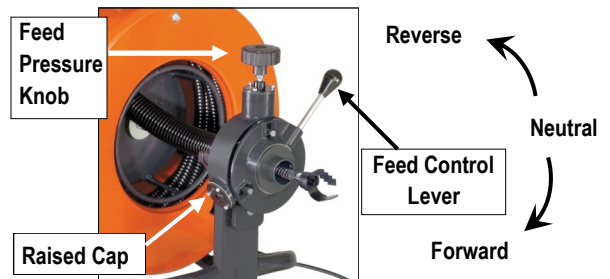


5. Select the proper cutting tool (See Cutter Application Chart—Table 2). If using 1/2" cable, a good tool to start with is the Arrow Head or 1-1/2" U-Cutter. If using 5/8" or 3/4" cable, the Spear Head or 2" U-Cutter are good starting tools. After the line is opened, follow with larger blades, which scrape the inside edges of the pipe, assuring a real cleaning job.
6. Insert the cutter into the female connector at the front of the cable and tighten the connecting screw and lock washer *firmly* in place.



Operation

1. Before stepping on the foot pedal, pull cable from the drum and slide it into the drain as far as it will go.
2. Tighten the knob at the top of the Power Cable Feed so that the feed roller presses against the cable. Be sure not to over-tighten, since this could cause excess cable wear.
3. The feed lever controls the feeding rate and direction of the cable. Move the lever down to feed cable out of drum. The further the lever is moved downward, the faster the cable will feed out. Move lever up to retract cable into drum. When the lever is in the middle (neutral) position, cable will spin in place.



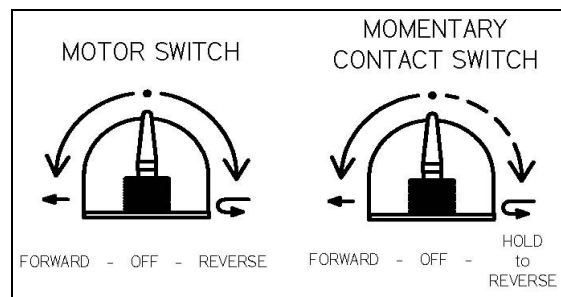
4. Move the motor switch to the **FORWARD** position.
5. With a leather-gloved hand on the Guide Tube or cable, depress the air foot pedal to start machine. Feed the cable into the line and against the obstruction with a firm, even pressure. Adjust the feeding rate to the resistance met. Do not force the cable—let the cutter do the work. The job won't go any faster and you could damage the cable.

DO NOT USE TOO MUCH FORCE – LET THE CUTTER DO THE WORK.

6. Don't leave too much slack in the cable since this will cause whipping. If the cable starts to bend or build up too much twist, release pressure on the foot pedal and rotate the drum in the opposite direction to relieve the twist on the cable. Push any excess cable back into the drum and then continue.

! DO NOT ALLOW TOO MUCH SLACK IN THE CABLE BETWEEN MACHINE AND DRAIN OPENING SINCE THIS CAN CAUSE CABLE WHIPPING.

7. If you're having trouble getting around tight bends, try putting the machine in reverse while applying steady pressure. (If using Power Cable Feed, putting motor in reverse will cause the feed control lever to operate opposite of normal.)
 Note: If your machine is equipped with a momentary contact reverse switch, you must hold the switch in position when operating the machine in reverse.



Don't do this for more than a few seconds at a time as this could cause tangling in the drum or kinking.

8. If you still can't get around the bend, you're probably using too large a cable. Switch to a smaller cable (See Cable Application Chart—Table 1), or use the optional flexible leader.
9. When cable reaches the stoppage, put feed into neutral. Then, allow the cable to progress forward slowly, chewing into the stoppage as it goes. This slow, forward movement will reduce stress on the cable while doing a more thorough cleaning job. A back and forth action often works best.

Hint: It's often helpful to have a small stream of water running in the line to wash the cuttings away while the machine is in operation and after.

10. Be careful not to let the cutter get caught in the stoppage as you work through it. This can cause kinking and breaking of the cable. When you feel the cable starting to twist in your hands, stop the machine and pull back. This will free the cutter from the obstruction. Then allow the cable to move forward slowly into the stoppage. Remember, no cutting takes place when the blades stop turning.
11. After the line has been cleared, return the cable to the drum with the motor turning **forward**. This is important to prevent the cable from tangling in the drum or in the line.
12. When the cutting tool is near the drain opening, take your foot off the pedal to stop drum rotation. Never retract the cutting tool from drain while cable is rotating. The cable could whip and cause serious injury.

DO NOT USE REVERSE TO PULL THE CABLE OUT OF THE DRAIN. RUNNING MACHINE IN REVERSE CAN CAUSE THE CABLE TO TANGLE IN THE DRUM.

SPECIAL OPERATIONS

IF CABLE GETS CAUGHT IN LINE

The motor can be reversed to free the cable if it gets caught in line. (Note: if using Power Cable Feed, putting motor in reverse will cause the feed control lever to operate opposite of normal.)

1. Move motor switch to the reverse position.
2. Depress the foot pedal while pulling on the cable.
3. After cable is loose, move switch back into forward position.

DO NOT RUN MOTOR IN REVERSE FOR MORE THAN A FEW SECONDS AT A TIME. THIS COULD CAUSE THE CABLE TO KINK OR TANGLE IN THE DRUM.

IF CABLE TANGLES IN DRUM

This is almost always caused by using too much pressure when feeding the cable, or by feeding the cable while running the machine in reverse. To untangle, rotate drum in opposite direction. This will usually get the cable to lie in the drum properly

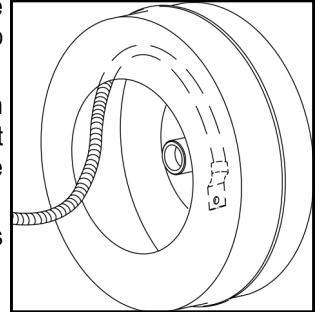
If cable has become badly tangled, which will not happen when machine is used properly, it may be necessary to pull the entire cable out of the drum and re-install it. (See "How to Install Cables In Drum" section.)

HOW TO INSTALL CABLES IN DRUM



DISCONNECT MACHINE FROM POWER SOURCE BEFORE INSTALLING CABLES OR DRUMS!

1. Connect the male end of cable to the drum connecting cable already attached to drum.
2. Remove V-Belt
3. Turn drum clockwise with one hand while pushing cable into drum with other hand.
4. Be sure cable goes into drum in clockwise direction as you look at the front of the machine or cable will tangle in drum.
5. Replace V-Belt after cable is installed.



Note: The cable should lay in the drum in a clockwise direction.



HOW TO EXCHANGE DRUMS



DISCONNECT MACHINE FROM POWER SOURCE BEFORE INSTALLING CABLES OR DRUMS!

1. Remove belt guard by loosening the knob above the motor.
2. Push the motor down far enough to slide V-Belt off drum.
3. Remove the cutter and connecting screw from the cable end.
4. Unscrew knob behind the front post and pull Power Cable Feed off the machine.
5. With one hand on the cable, loosen the knob on the front post cap and open the cap. The Flexitube will spring up out of the post cap.
6. Unscrew the ringbolt in the center of drum and slide the drum off the shaft and lift it out of the way.
7. Reverse procedure to install drum.
8. To reinstall the Flexitube, pull about 12 inches of cable out beyond the frame, then guide the Flexitube into the front post cap.
9. Position the Flexitube so that the hole in the bushing fits over the guide pin in the base of the front post clamp. Make sure the Flexitube bushing does not protrude beyond the front post clamp.
10. From the outside of the front post, push the cable down with one hand to secure the Flexitube in position within the clamp, then close the cap and tighten the knob with the other hand.



MAINTENANCE



DISCONNECT MACHINE FROM POWER SOURCE BEFORE PERFORMING MAINTENANCE!

To keep your machine operating smoothly, it is essential that all bearings and distributor tube bushings be lubricated. Oiling moving parts is particularly important where machine comes in contact with sand, grit and other abrasive material.

CABLE MAINTENANCE

To get maximum service from your cables, be sure that they are clean and well oiled. This not only provides running lubrication but greatly extends the life of the cables as well. Some users periodically pour oil directly into the drum. Then, as the drum turns, the cables get complete lubrication. Our SNAKE OIL is ideally suited for this purpose, since it not only lubricates the cables, it deodorizes them as well.



FEED MAINTENANCE

Keep feed free of excessive soil and grit. It is recommended that the feed be flushed with fresh water followed by a light oiling of the moving parts. No disassembly is normally required. Failure to feed can usually be traced to the following possibilities:

DIRT ACCUMULATION

Over time, dirt can harden enough to stop roller rotation. Flushing with water followed by liberal oiling can usually restore function. If disassembly is required, proceed as follows:

1. Remove the feed tension knob, springs and spring plunger. Note the positioning of these parts to ease re-assembly. The top roller can now be removed.
2. Remove the end caps and thrust washers from the bottom housing cylinders. The bottom rollers can now be removed.
3. Re-assembly is done in reverse order.

DAMAGED ROLLER

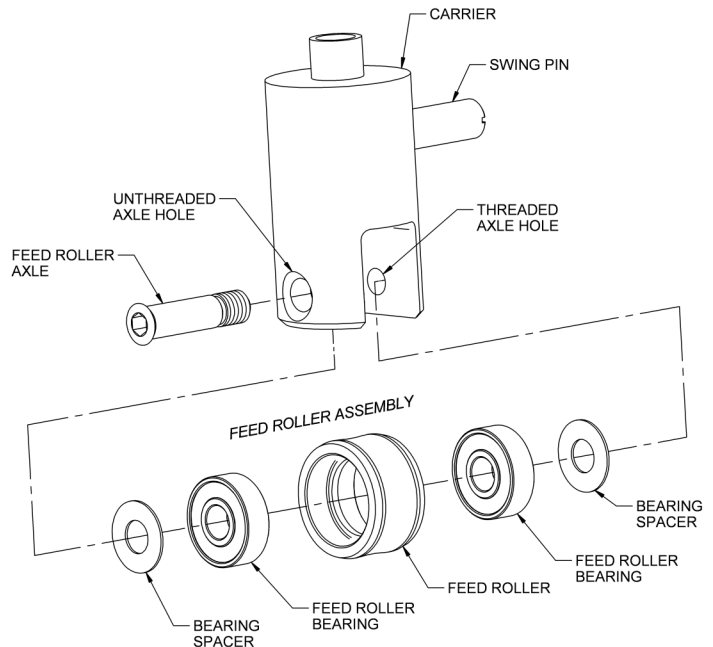
Excessive use may wear a roller to the point of failure. It is recommended that all three rollers be replaced at the same time (Cat # PO-703). The replacement roller is an assembly consisting of one Feed Roller, two Feed Roller Bearings, and two Bearing Spacers.

Note: The Bearing Spacers must be installed between the Carrier and each Feed Roller Bearing (as illustrated below) in order to ensure proper operation and to obtain maximum Feed Roller life.

To Replace the Feed Roller Assembly:

1. Remove the Feed Roller Assembly by unscrewing and removing the Feed Roller Axle.
2. For convenience, the components are assembled and wired together at the factory. Before attempting to install the assembly, hold the assembly together and remove the wire.
3. While still holding the Feed Roller Assembly together, insert it into the slot opening of the Carrier.
4. In order to help align the Spacers and Bearings, insert a pencil point or similar object through the **un-threaded** end of the Axle hole in the Carrier. After removing the pencil point, continue to

5. The Feed Roller Axle should then be inserted through the same un-threaded Axle hole and should continue to be guided through the Spacers and Bearings to the threaded Axle hole on the other side of the Carrier.
6. Securely tighten the Axle to the Carrier with a 3/16" allen wrench.



TANGLED CABLE

If a cable loops over itself in the drum, it will not feed properly. Remove and reload the cable to restore function. If the cable kinks, it is evidence of abuse and results from the use of too much pressure or use of the wrong size cable for the line. Do not force the cable — let the cutter do the work.

TROUBLE SHOOTING GUIDE

Problem	Probable Cause	Solution
Cable kinks, tangles or breaks.	Operator forcing the cable.	Do not force cable! Let the cutter do the work.
	Too much slack between machine and drain.	Allow a distance of no more than two feet between machine and drain.
	Cable used in wrong size drain line.	A cable that is too large or too small in diameter for a line is more likely to kink. (Consult Cable Application Chart – Table 1.)
	Cable exposed to acid.	Clean and oil cables routinely.
Drum stops while pedal is depressed.	Hole in pedal or hose.	Replace damaged component.
	Hole in diaphragm switch.	If no problem found with the pedal or hose, replace the diaphragm switch.
Drum turns in one direction but not the other.	Faulty reverse switch or faulty momentary contact switch.	Replace switch. Note: Momentary contact switch must be held in position to use reverse.
Ground Fault Interrupter trips and will not reset.	Damaged power cord or extension cord.	Replace cords.
	Excess moisture in area.	Remove excess moisture from area.
	Short circuit in motor.	Take motor to authorized service center. (Call General for details.)
	Faulty Ground Fault Interrupter.	Replace Ground Fault Interrupter.
Failure to feed.	Cable tangled in drum.	Do not run machine in reverse. Use proper cable size. (Consult Cable Application Chart – Table 1.)
	Feed rollers frozen.	Clean and lubricate feed rollers regularly. Replace worn rollers.
	Worn cable.	When cable coils wear flat, cable should be replaced.
Motor turns but drum does not.	Slip clutch is slipping because cable is being forced.	Do not force cable. Do not allow too much slack between the cable and the machine.
	Slip clutch is worn.	Replace slip clutch.

Metro-Rooter™

Manuel d'instructions

**Pour canalisations de 3 à 10 pouces
(75–250 mm)**



Votre débouchoir Metro-Rooter est conçu pour vous procurer de nombreuses années de service fiable et rentable. Toutefois aucun appareil ne peut donner son plein rendement si l'opérateur ne le connaît pas à fond.

Lisez, comprenez et respectez toutes les consignes de sécurité et instructions fournies avec ce produit. Le fait de ne pas suivre ces consignes et instructions risquerait de provoquer une électrocution et/ou des blessures graves. Conservez ces documents pour future référence.

CONSERVEZ CES INSTRUCTIONS !

General
PIPE CLEANERS



AVERTISSEMENT
 Lisez et comprenez le manuel d'instructions avant d'utiliser cette machine. Le fait de ne pas respecter son contenu risque d'entraîner des blessures graves ou mortelles.

AVERTISSEMENT! Lisez attentivement toutes les instructions. Le fait de ne pas suivre toutes les instructions risque de provoquer une électrocution, un incendie et/ou des blessures graves. Des manuels de rechange peuvent être obtenus gratuitement sur demande, ou téléchargés à partir de notre site Internet, www.drainbrain.com. Des films d'instruction peuvent également être téléchargés de notre site Internet ou nous être commandés. En cas de question ou de problème, veuillez contacter le service clientèle de General au 412-771-6300.

CONSERVEZ CES INSTRUCTIONS !

Ces instructions ont pour objet de familiariser tous les employés avec l'utilisation et l'entretien sans danger du Metro-Router.

SYMBOLES DE SÉCURITÉ



Ce symbole de sécurité vous avertit de l'existence d'un danger pour votre sécurité personnelle. Respectez toutes les consignes de sécurité suivant ce symbole afin d'éviter des blessures graves ou mortelles.

DANGER

DANGER signale un danger de haut risque qui, s'il n'est pas évité, entraînera des blessures graves ou mortelles.

AVERTISSEMENT

AVERTISSEMENT signale un danger de risque moyen qui, s'il n'est pas évité, peut entraîner des blessures graves ou mortelles.

MISE EN GARDE

MISE EN GARDE signale un danger de faible risque qui, s'il n'est pas évité, entraînera des blessures de faible ou moyenne gravité.

AVERTISSEMENT



L'appareil doit être branché dans une prise correctement mise à la terre. À défaut de suivre ces instructions, il peut s'ensuivre un choc électrique et la mort. Si le fil de mise à la terre est électrisé, vous pouvez être électrocuté par un simple contact avec l'appareil et ce, même si l'interrupteur est à Arrêt (Off). Dans ce cas, le disjoncteur de fuite à la terre ne peut pas vous protéger. Utilisez un testeur certifié UL pour vérifier si la prise de courant est sécuritaire.



N'utilisez jamais des outils motorisés dans une atmosphère explosive générée par des liquides inflammables, des gaz ou de la poussière. Les outils électriques provoquent des étincelles qui risquent d'enflammer la poussière ou les vapeurs.



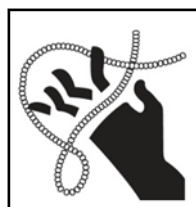
Ne portez que des gants en cuir. N'utilisez aucun autre type de gants, en tissu, caoutchouc ou enduit. Ne saisissez jamais un câble en mouvement avec un chiffon; ces matériaux peuvent s'enrouler autour du câble et causer des blessures graves.



Portez toujours des lunettes de sécurité et des chaussures à semelles de caoutchouc antidérapantes. L'emploi de ces équipements de sécurité peut empêcher des blessures graves.



Ne faites jamais fonctionner l'appareil si le garde-courroie est enlevé. Les doigts se prennent facilement entre la courroie et la poulie.



Ne forcez jamais les câbles exagérément. Une tension excessive peut causer la torsion, le vrillage ou la rupture du câble et pourrait provoquer des blessures graves.

CONSIGNES DE SÉCURITÉ GÉNÉRALES



AVERTISSEMENT

Lisez attentivement toutes les instructions. Le fait de ne pas suivre toutes les instructions risque de provoquer une électrocution, un incendie et/ou des blessures graves.

CONSERVEZ CES INSTRUCTIONS !

Sécurité du site

1. **Conservez l'espace de travail propre et bien éclairé.** Des établis encombrés et des zones mal éclairées sont causes d'accident.
2. **N'utilisez jamais des outils motorisés dans une atmosphère explosive générée par des liquides inflammables, des gaz ou de la poussière.** Ces outils produisent des étincelles qui peuvent allumer les vapeurs inflammables ou les poussières.
3. **Ne laissez pas les curieux, les enfants et les visiteurs s'approcher quand vous faites fonctionner un outil motorisé.** Des distractions pourraient vous faire perdre le contrôle.

Électricité et sécurité

1. **Les outils mis à la terre doivent être branchés dans une prise de secteur correctement installée et mise à la terre conformément à tous les codes et décrets. Ne retirez jamais le plot de mise à la terre et ne modifiez la prise en aucune façon. N'utilisez pas de prise-adaptateur. Consultez un électricien qualifié en cas de doute sur la bonne mise à la terre de la prise de secteur.** Si l'outil subit un mauvais fonctionnement ou une panne électrique, la mise à la terre offre un chemin de faible résistance éloignant le courant de l'utilisateur.
2. **Votre corps ne doit pas toucher à des objets mis à la terre, tels les tuyaux, radiateurs, cuisinière ou réfrigérateur.** Si votre corps se trouve mis à la terre, vous augmentez les risques de choc électrique.
3. **N'utilisez pas d'outils électriques mouillés ou sous la pluie.** L'eau qui s'infiltre dans un outil électrique augmente les risques de choc électrique.
4. **Attention au cordon électrique.** Ne transportez jamais un outil par le cordon et ne débranchez jamais un outil en tirant sur le cordon. Maintenez toujours le cordon éloigné de la chaleur, de l'huile, d'objets coupants ou de pièces en mouvement. Remplacez immédiatement un cordon endommagé, car cela augmente les risques de choc électrique.
5. **Servez-vous uniquement d'une rallonge électrique extérieure marquée « W-A » ou « W » lorsque vous utilisez un outil électrique dehors.** Ces rallonges sont homologuées pour un usage extérieur et réduisent le risque d'électrocution.
6. **Vérifiez que l'interrupteur de circuit de fuite à terre (GFCI) fourni avec le cordon fonctionne correctement avant d'utiliser la machine.** Celle-ci doit être reliée à un cordon avec GFCI en bon état de marche. Le GFCI réduit le risque d'électrocution.
7. **Les rallonges électriques sont déconseillées à moins d'être branchées dans une prise de courant protégée par un disjoncteur de fuite à la terre (GFCI) dans une boîte ou prise électrique.** Le disjoncteur de fuite à la terre du cordon de l'appareil n'empêche pas les chocs électriques qui pourraient être causés par une rallonge.
8. **Utilisez seulement des rallonges trifilaires avec fiche tripolaire et une prise de courant tripolaire correspondant à la fiche**

de l'outil. L'utilisation de toute autre rallonge ou d'une rallonge inférieure ou endommagée n'assure pas la mise à la terre de l'outil et augmente le risque de choc électrique.

9. **Maintenez tous les branchements électriques au sec et au-dessus du sol.** Réduit le risque d'électrocution.
10. **NE touchez PAS les prises ou les outils avec des mains mouillées.** Réduit le risque d'électrocution.

Sécurité personnelle

1. **Ne vous laissez pas distraire, prêtez attention à ce que vous faites et usez de bon sens lorsque vous utilisez un outil électrique. N'utilisez pas cet outil si vous êtes fatigué ou sous l'influence d'une drogue, de l'alcool ou de médicaments.** Des blessures graves peuvent résulter d'un moment d'inattention.
2. **Habillez-vous correctement. Ne portez pas de bijoux ou de vêtements risquant de se prendre dans l'appareil. Éloignez les cheveux, vêtements et gants des pièces en mouvement.** Les vêtements lâches, les bijoux ou les cheveux longs peuvent facilement se prendre dans des pièces en mouvement.
3. **Prenez garde à tout démarrage accidentel. Vérifiez que l'interrupteur soit en position ARRÊT avant de brancher l'appareil.** Porter un outil avec le doigt sur l'interrupteur ou brancher un appareil dont l'interrupteur est en position MARCHE sont des causes d'accidents.
4. **Retirez toute clé ou outil d'ajustement avant la mise en marche.** Une clé ou tout autre outil laissés sur une pièce rotative peuvent causer des blessures.
5. **N'étendez pas trop les bras. Conservez votre équilibre en tout temps ainsi qu'un appui solide.** Un bon appui ainsi qu'un bon équilibre permettent de conserver un meilleur contrôle de l'outil en cas d'imprévu.
6. **Utilisez des équipements de sécurité. Portez toujours des lunettes de sécurité.** Un masque à poussières, des chaussures de sécurité antidérapantes, un casque ou une protection auditive peuvent être nécessaires selon l'application.

Utilisation et soin de l'appareil

1. **Servez-vous de pinces ou d'une autre méthode pour fixer et soutenir la pièce travaillée sur un support stable. Ne forcez pas l'outil.** Tenir la pièce à la main ou contre votre corps ne fournit pas la stabilité nécessaire et risque de conduire à une perte de contrôle.
2. **Ne forcez pas cet outil. Utilisez le bon appareil pour telle application.** L'outil approprié effectue un meilleur travail, dans des conditions plus sécuritaires et à la vitesse pour laquelle il a été conçu.
3. **N'utilisez pas cet outil si l'interrupteur ne contrôle pas la mise en marche ou l'arrêt.** Un outil qui ne peut pas être contrôlé par l'interrupteur est dangereux et doit être réparé avant toute utilisation.
4. **Débranchez la prise de la source de courant avant de faire des réglages, de changer d'accessoire ou de ranger votre outil.** Cette mesure de prévention réduit les risques de démarrage accidentel de l'outil.
5. **Rangez les outils en attente hors de portée des enfants et des autres personnes inexpérimentées.** Les outils sont dangereux dans les mains d'utilisateurs inexpérimentés.
6. **Entretenez soigneusement vos outils. Affûtez et nettoyez la lame des outils de coupe.** Des outils correctement entretenus et

dont la lame est tranchante ont moins de risque de se coincer et sont plus faciles à contrôler.

7. **Surveillez le désalignement ou le grippage des pièces mobiles, les bris de pièce ou toute autre condition qui peut nuire au bon fonctionnement de l'appareil.** Si un outil est endommagé, faites-le réparer avant toute utilisation. Plusieurs accidents sont causés par des outils mal entretenus.
8. **N'utilisez que les accessoires recommandés par le fabricant pour votre modèle.** L'accessoire qui convient à un outil peut devenir dangereux sur un autre.

Entretien et réparations

1. **Toute réparation de l'appareil ne doit être effectuée que par du personnel qualifié.** Des blessures peuvent résulter d'un travail effectué par du personnel non qualifié.
2. **Si un appareil doit être réparé, seules des pièces identiques d'origine doivent être utilisées. Suivez les instructions dans la section Entretien de ce manuel.** L'utilisation de pièces non autorisées ou le défaut de suivre les instructions d'entretien peuvent causer un choc électrique ou des blessures.

CONSIGNES DE SÉCURITÉ PARTICULIÈRES



Ce symbole de sécurité vous avertit de l'existence d'un danger pour votre sécurité personnelle. Respectez toutes les consignes de sécurité suivant ce symbole afin d'éviter des blessures graves ou mortelles.



L'appareil doit être branché dans une prise correctement mise à la terre. À défaut de suivre ces instructions, il peut s'ensuivre un choc électrique et la mort. Si le fil de mise à la terre est électrisé, vous pouvez être électrocuté par un simple contact avec l'appareil et ce, même si l'interrupteur est à Arrêt (Off). Dans ce cas, le disjoncteur de fuite à la terre ne peut pas vous protéger. Utilisez un testeur certifié UL pour vérifier si la prise de courant est sécuritaire.



Ne forcez jamais les câbles exagérément. Une tension excessive peut causer la torsion, le vrillage ou la rupture du câble et pourrait provoquer des blessures graves.

1. **Portez uniquement des gants en cuir.** N'utilisez jamais d'autres types de gants, tels que gants en toile, en caoutchouc ou en tissu enduit. Ne saisissez jamais un câble en rotation avec un chiffon. Ces objets peuvent se prendre dans le câble et provoquer un accident grave.
2. **Ne faites jamais fonctionner l'appareil si le garde-courroie est enlevé.** Les doigts peuvent se prendre facilement entre la courroie et la poulie.
3. **Ne forcez jamais les câbles exagérément.** Quand l'appareil fonctionne, maintenez une main gantée en cuir sur le câble pour le contrôler. Une tension excessive du câble à cause d'un obstacle peut causer une torsion, un vrillage ou la rupture et pourrait provoquer des blessures graves.
4. **Placez l'appareil le plus près possible du drain, à une distance de 60 cm maximum.** Une distance plus grande risque de conduire à une torsion ou un vrillage du câble.
5. **Cet appareil est prévu pour être utilisé PAR UNE PERSONNE seulement à la fois.** L'utilisateur doit contrôler le commutateur de pédale et le câble.

6. **Ne faites pas fonctionner cet appareil en marche arrière (REV).** La marche arrière ne doit servir qu'à dégager un outil d'un obstacle, autrement il peut en résulter des dommages au câble.
7. **Gardez les mains éloignées du dévidoir en mouvement.** Ne mettez jamais la main à l'intérieur du dévidoir à moins que l'appareil ne soit débranché. La main pourrait être gravement blessée par les pièces en mouvement.
8. **Évitez tout contact direct avec les produits de débouchage de drain corrosifs.** Évitez tout contact direct avec la peau et les yeux. Ces produits chimiques peuvent causer des brûlures graves à l'opérateur et endommager le câble.
9. **Ne faites pas fonctionner la machine si elle ou l'utilisateur se trouve sur un sol inondé.** Ceci augmenterait le risque d'électrocution.
10. **Portez toujours des lunettes de sécurité et des chaussures à semelle en caoutchouc antidérapant.** L'emploi de ces équipements de sécurité peut empêcher des blessures graves.
11. **Avant chaque utilisation, vérifiez que le câble n'est ni cassé ni emmêlé à l'intérieur du dévidoir, en extrayant le câble et en vérifiant qu'il n'est pas usé ni cassé.** Remplacez toujours les câbles usés (entortillés ou cassés) par des câbles de remplacement GENERAL authentiques.
12. **N'utiliser cet outil que pour la tâche à laquelle il est destiné. Suivez le mode d'emploi.** Toute autre utilisation ou la modification du débouchoir pour d'autres applications risquent d'augmenter le risque de se blesser.

Disjoncteur de fuite à la terre (GFCI)

Votre appareil est pourvu d'un disjoncteur de fuite à la terre qui vous protège contre les chocs électriques en cas de court-circuit. Vérifiez si la prise de courant est correctement mise à la terre. Testez ce disjoncteur avant chaque utilisation.

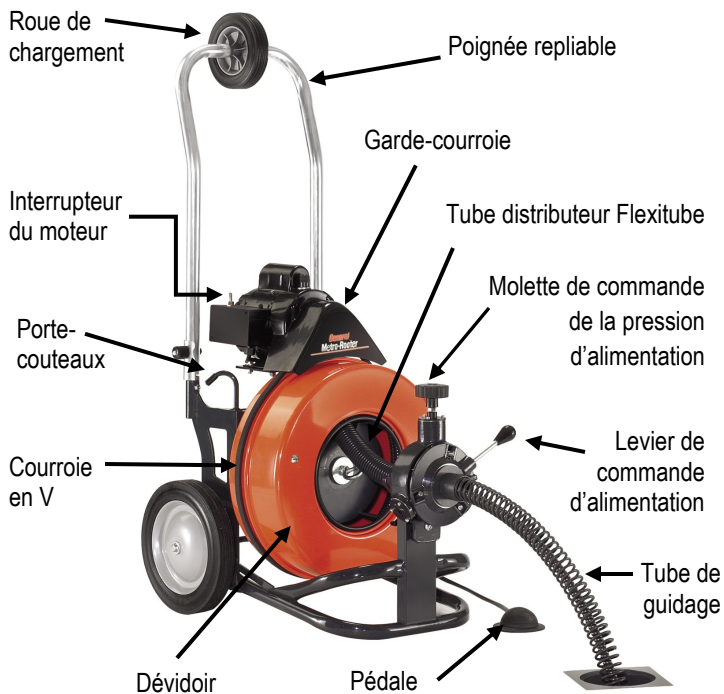
1. Branchez l'appareil dans une prise de 120 V.
2. Appuyez sur le bouton d'essai. Le témoin doit s'éteindre et le courant devrait être coupé.
3. Si le témoin ne s'éteint pas après avoir appuyé sur le bouton d'essai, **N'UTILISEZ PAS L'APPAREIL** avant qu'il ait été réparé.
4. Pour rétablir le courant après l'essai, appuyez sur le bouton de réenclenchement. Une fois ce bouton enfoncé, si l'appareil ne démarre pas, s'il s'arrête durant le fonctionnement ou si l'opérateur ressent un léger choc, **N'UTILISEZ PAS L'APPAREIL !** Étiquetez-le comme hors de service et faites-le réparer par le fabricant ou par un centre de réparation de moteurs électriques.



LA PORTION DE CORDON COMPRISE ENTRE LA PRISE DE COURANT ET LE DISJONCTEUR GFCI NE FAIT PAS PARTIE DU CIRCUIT PROTÉGÉ.

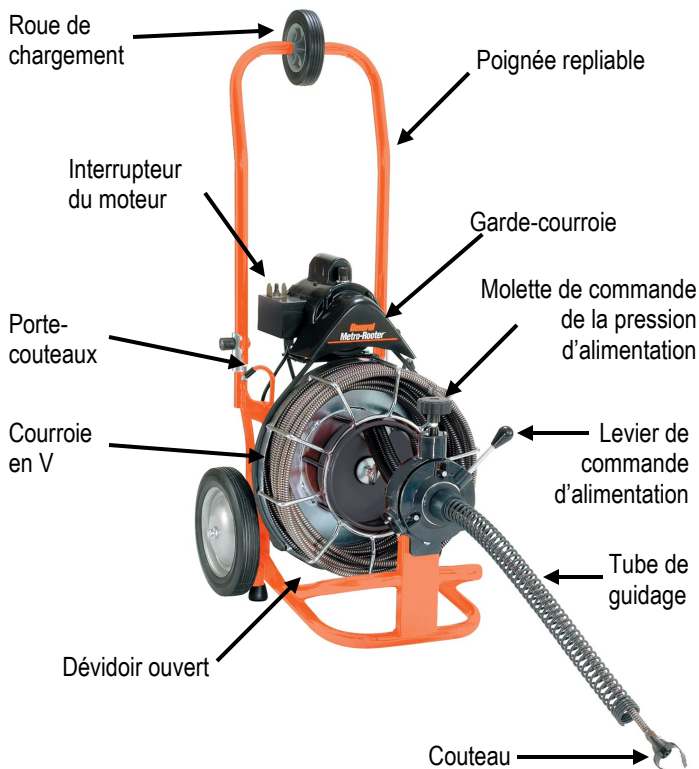
CARACTÉRISTIQUES

Metro-Rooter à dévidoir fermé



REMARQUE : ne faites pas fonctionner la machine si les étiquettes d'avertissement de la boîte de commutation et du cordon électrique sont absentes ou illisibles.

Metro-Rooter à dévidoir ouvert



REMARQUE : ne faites pas fonctionner la machine si les étiquettes d'avertissement de la boîte de commutation et du cordon électrique sont absentes ou illisibles.

La poignée repliable le fait compact pour l'entreposage. (Modèle à dévidoir fermé montrée à la droite.)



Applications des câbles (Tableau 1)

Taille du câble	Taille du tuyau	Applications typiques	Capacité max.
1/2 po	3 à 4 po	Éviers, événements de couverture, conduites verticales (sans racines)	100 pieds
5/8 po	3 à 6 po	Renvois de plancher, orifices de déboucheur, racines	75 pieds
3/4 po	4 à 10 po	Avaloirs grands, lignes longues, racines	50 pieds

Applications des couteaux (Tableau 2)

Couteau	N° de cat.	Applications typiques
Couteaux pour les câbles de 1/2 po		
Tête de flèche	AH	Outil de départ, idéal pour couper et gratter
Couteau en U 1-1/2 po	1-1/2UC	Outil de départ, pour retirer des objets perdus
Couteau en U 2 po	2UC	Outil de départ, pour retirer des objets perdus
Outil de récupération petit	RTR-1	Pour retirer des objets perdus ou un câble cassé
Couteaux pour les câbles de 5/8 et 3/4 po		
Tête de lance	SHD	Outil de départ, idéal pour couper et gratter
Couteau en U 2 po	2UC	Outil de départ, pour retirer des objets perdus
Couteau de côté robuste 3 po	3HDSC	Outil de finition, pour racler les parois intérieures
Lame de scie robuste de 3 po	3HDB	Pour couper les racines et les gros obstacles
Outil de récupération	RTR-2	Pour retirer des objets perdus ou un câble cassé

Accessoires facultatifs pour les câbles de 5/8 et 3/4 po

Tige de tête flexible	LE3	Facilite le passage du câble dans les siphons serrés
-----------------------	-----	--

Remarque : Il n'y a pas de règle de base pour savoir quel couteau utiliser. Si un couteau ne fonctionne pas, en essayer un autre.

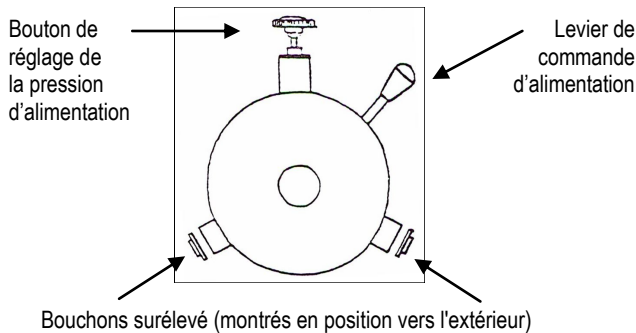
OPÉRATION

Configuration



ASSUREZ-VOUS QUE L'INTERRUPTEUR DU MOTEUR EST DANS LA POSITION « ARRÊT » !

1. Placer la machine à environ 2 pieds (60 cm) de l'ouverture du renvoi. Assurez-vous que le tube de guidage Metro-Router (ME-GT) se trouve en place. S'il n'est pas possible de s'approcher l'appareil aussi près, faites passer le câble par l'extension du tube de guidage (GTE) facultative ou un tube de guidage métallique afin de prévenir le fouettement du câble. Avec les appareils d'alimentation manuel, maintenez toujours une main gantée sur le câble.
2. Positionnez la pédale pour être facilement accessible. Cet appareil est prévu pour être utilisé par une personne seulement à la fois. Assurez-vous de pouvoir retirer le pied de la pédale rapidement en cas d'urgence.
3. Assurez-vous que l'interrupteur du moteur est en position d'ARRÊT.
4. Assurez-vous que l'alimenteur de câble automatique est réglé selon le diamètre de câble sélectionné. Dans le cas des câbles de 3/4 ou 5/8 po, l'alimenteur automatique doit être monté de manière à ce que le côté surélevé des 2 bouchons inférieurs soit tourné vers l'extérieur. Dans le cas des câbles de 1/2 po, l'alimenteur doit être monté avec le côté surélevé des bouchons tourné vers l'intérieur.

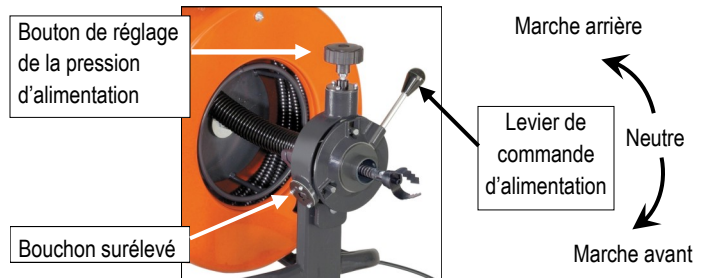


5. Sélectionnez l'outil à couteau approprié (voir Applications des couteaux—Tableau 2). Pour le câble de 1/2 po, un bon outil de départ est la tête de flèche ou le couteau en U de 1-1/2 po. Pour les câbles de 5/8 ou 3/4 po, la tête de lance ou le couteau en U de 2 po sont des bons outils de départ. Suite au déblocage, poursuivez avec un couteau plus gros qui racle les parois afin de s'assurer d'un bon nettoyage.
6. Insérez le couteau dans le raccord femelle à l'extrémité avant du câble ; serrez-le *solidement* en place au moyen de la rondelle de blocage et de la vis de jonction.

Fonctionnement

1. Avant d'actionner la pédale, tirez le câble du dévidoir et glissez-le dans l'avaloir aussi loin que vous pouvez.
2. Serrez le bouton sur le dessus de l'alimenteur automatique afin que le rouleau d'alimentation appuie sur le câble. N'exagérez pas la pression puisque cela pourrait causer l'usure prématurée du câble.

3. Le levier d'alimentation commande la vitesse d'alimentation et le sens de rotation du câble. Appuyez vers le bas pour faire sortir le câble du dévidoir. Plus le levier descend, plus le câble avance vite. Soulevez le levier vers le haut pour faire rentrer le câble dans le dévidoir. Lorsque le levier est au centre (position neutre), le câble tourne sans avancer ni reculer.
4. Placez l'interrupteur du moteur en position **AVANT**.



5. Avec une main gantée en cuir sur le tube de guidage ou sur le câble, pesez sur la pédale à air pour faire démarrer l'appareil. Faites avancer le câble dans la canalisation, avec une pression ferme et constante, jusqu'à l'engorgement. Réglez la vitesse d'alimentation selon la résistance rencontrée. Ne forcez pas le câble ; laissez travailler le couteau. Le travail ne se ferait pas plus vite et vous pourriez endommager le câble.

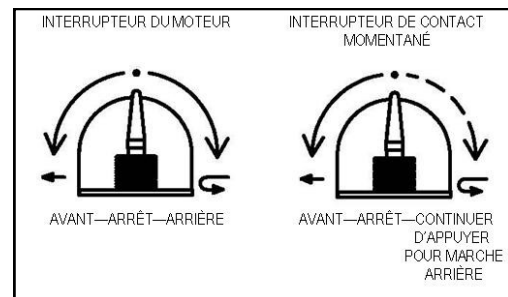
**NE FORCEZ PAS TROP ;
LAISSEZ TRAVAILLER LE COUTEAU**

6. Veillez à ce qu'il n'y ait pas trop de mou dans le câble, car cela peut entraîner le fouettement. Si le câble commence à courber ou à trop s'enrouler sur lui-même, relâchez la pression sur la pédale et faites tourner le dévidoir en sens inverse suffisamment pour relâcher la tension. Rentrez le surplus de câble dans le dévidoir avant de continuer.



**NE LAISSEZ PAS TROP DE CÂBLE ENTRE
L'APPAREIL ET L'OUVERTURE DU DRAIN CAR LE
CÂBLE RISQUERAIT DE FOUETTER.**

7. Si vous avez de la difficulté à franchir un coude serré, essayez en marche arrière tout en exerçant une pression constante. (Dans le cas de l'alimenteur automatique, le fait de mettre le moteur en marche arrière inverse le fonctionnement normal du levier de commande de l'alimentation.) Remarque : si votre machine est munie d'un interrupteur de contact momentané pour la marche arrière, vous devez continuer d'appuyer sur l'interrupteur pendant le recul de la machine.



Cette manœuvre ne doit pas durer plus de quelques secondes à la fois, car cela peut forcer le câble à vriller ou à s'emmêler dans le dévidoir.

8. S'il s'avère toujours impossible de franchir un coude, vous utilisez peut-être un câble trop large. Passez à un câble plus petit (voir Applications des câbles—Tableau 1) ou utilisez la tige de tête flexible facultative.
9. Lorsque le câble atteint l'engorgement, mettez l'alimenteur au neutre. Ensuite, faites avancer le câble lentement pour que le couteau broie l'obstacle. Ce mouvement lent vers l'avant réduit la tension sur le câble tout en permettant un nettoyage plus complet. Un mouvement d'avant et de recul est souvent la meilleure méthode.

Truc : il peut être avantageux de faire couler un filet d'eau dans la canalisation pour dégager les débris coupés par le couteau, pendant et après que l'appareil fonctionne.

10. Faites attention de ne pas coincer le couteau dans l'obstacle pendant le travail. Cela pourrait causer le vrillage ou la rupture du câble. Quand vous sentez que le câble commence à s'emmêler dans vos mains, arrêtez l'appareil et rentrez un peu de câble. Cela devrait libérer le couteau de l'obstacle ; vous pouvez alors recommencer à faire avancer le couteau lentement. Rappelez-vous qu'il n'y a pas de nettoyage quand le couteau arrête de tourner.
11. Une fois que la canalisation est bien dégagée, rentrez le câble dans le dévidoir en faisant tourner le moteur vers l'**avant**. Cela est important pour empêcher l'emmêlement du câble dans le dévidoir ou dans la canalisation.
12. Quand le couteau approche de l'avaloir, retirez votre pied de la pédale pour arrêter la rotation du dévidoir. Ne retirez jamais le couteau de l'avaloir pendant que le câble tourne ; le câble pourrait fouetter et causer de graves blessures.



N'UTILISEZ PAS LA MARCHE ARRIÈRE POUR RETIRER LE CÂBLE DE LA CANALISATION. FAIRE FONCTIONNER L'APPAREIL EN MARCHE ARRIÈRE PEUT CAUSER QUE LE CÂBLE SE MÊLE DANS LE DÉVIDOIR.

OPÉRATIONS SPÉCIFIQUES

SI LE CÂBLE SE COINCE DANS LE CONDUIT

On peut inverser le moteur afin de dégager un câble coincé dans un conduit. (Remarque : dans le cas de l'alimenteur automatique, le fait de mettre le moteur en marche arrière inverse le fonctionnement normal du levier de commande de l'alimentation.)

1. Placer l'interrupteur sur le moteur en position de marche arrière.
2. Pesez sur la pédale en tirant sur le câble.
3. Lorsque le câble est libéré, placer de nouveau l'interrupteur du moteur à la position de marche avant.



FAIRE TOURNER L'APPAREIL EN MARCHE ARRIÈRE PLUS DE QUELQUES SECONDES À LA FOIS PEUT FORCER LE CÂBLE À S'EMMÊLER DANS LE DÉVIDOIR.

SI LE CÂBLE SE MÊLE DANS LE DÉVIDOIR

Ceci se produit généralement lorsqu'on appliqué trop de pression sur le câble pour l'introduire dans le conduit ou que la machine est opérée en marche arrière pour introduire le câble. Pour démêler le câble, faites tourner le dévidoir en sens inverse. Cela permet habituellement au câble de se replacer convenablement dans le dévidoir.

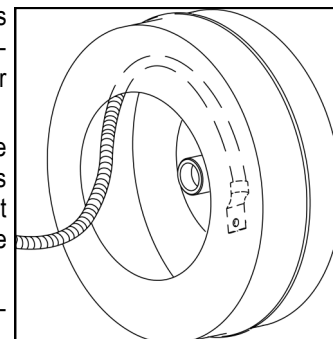
Si le câble devient trop mêlé, ce qui ne se produira pas si la machine est utilisée correctement, il pourrait être nécessaire de retirer la totalité du câble du dévidoir et de le réinstaller (voir la section « FAÇON D'INSTALLER LES CÂBLES DANS LE DÉVIDOIR »).

FAÇON D'INSTALLER LES CÂBLES DANS LE DÉVIDOIR



DISCONNECT MACHINE FROM POWER SOURCE BEFORE INSTALLING CABLES OR DRUMS!

1. Branchez la connexion male du câble au câble de connexion qui est fixé de façon permanente au dévidoir.
2. Retirez la courroie en V.
3. Tournez le dévidoir dans le sens horaire avec une main, en poussant le câble dans le dévidoir avec l'autre main.
4. Assurez-vous que le câble entre dans le dévidoir dans le sens horaire, en regardant de l'avant de l'appareil ; autrement le câble se mêlera dans le dévidoir.
5. Une fois le câble installé, remettez la courroie en V.



Remarque : Le câble doit reposer dans le dévidoir dans le sens horaire.



COMMENT CHANGER DE DÉVIDOIR



DÉBRANCHEZ L'APPAREIL AVANT D'INSTALLER UN CÂBLE OU UN DÉVIDOIR !

1. Enlevez le garde-courroie en desserrant le bouton au-dessus du moteur.
2. Appuyez ver le bas sur le moteur et retirez la courroie en V du dévidoir.
3. Retirez le couteau et la vis de jonction de l'extrémité du câble.
4. Dévissez le bouton derrière le pilier avant et retirez l'alimenteur automatique de l'appareil.
5. Avec une main sur le câble, desserrez le bouton sur la capsule du pilier avant et ouvrez la capsule. Le Flexitube sautera de la capsule du pilier.
6. Dévissez le boulon à anneau au centre du dévidoir ; glissez le dévidoir de son axe et le mettez de côté.
7. Effectuez cette procédure dans l'ordre inverse pour installer le nouveau dévidoir.
8. Pour installer le Flexitube, tirez environ 30 cm de câble au-delà du cadre. Puis guidez le Flexitube dans la capsule du pilier avant.
9. Placez le Flexitube de manière à ce que le trou dans le coussinet va sur la goupille de guidage dans la base de la pince du pilier avant. Assurez-vous que le coussinet du Flexitube ne s'étend pas au-delà de la pince du pilier avant.

10. De l'extérieur du piler avant, poussez le câble vers le bas avec une main pour fixer le Flexitube en position dans la pince, puis fermez la capsule et serrez le bouton avec l'autre main.



ENTRETIEN



DISCONNECT MACHINE FROM POWER SOURCE BEFORE PERFORMING MAINTENANCE!

Pour maintenir votre appareil en état de marche optimal, il est essentiel que tous les roulements et les coussinets du tube distributeur soit lubrifiés. La lubrification de toutes les pièces mobiles est particulièrement importante si l'appareil est exposé au sable, au gravier ou à d'autres matières abrasives.

ENTRETIEN DES CÂBLES

Pour obtenir un rendement maximal des câbles, assurez-vous qu'ils soient propres et bien lubrifiés. Cela est nécessaire à leur utilisation et prolonge grandement leur durée. Certains utilisateurs versant périodiquement de l'huile directement dans le tambour. Alors, quand le tambour tourne, le câble est complètement lubrifié. Notre huile *SNAKE OIL* est idéale à cette fin puisqu'elle désodorise tout en lubrifiant.



ENTRETIEN DE L'ALIMENTEUR

Maintenez l'alimenteur libre de saletés excessives. Il est recommandé de le nettoyer à l'eau propre puis de lubrifier légèrement toutes les pièces mobiles après chaque utilisation. Normalement, il ne devrait pas être nécessaire de le démonter. Le mauvais fonctionnement de l'alimenteur est habituellement dû aux causes suivantes :

ACCUMULATION DE SALETÉS

Avec le temps, la saleté peut durcir suffisamment pour empêcher la rotation des rouleaux. Le lavage à l'eau et une lubrification abondante peut habituellement y remédier. Si le démontage est nécessaire, faites comme suit :

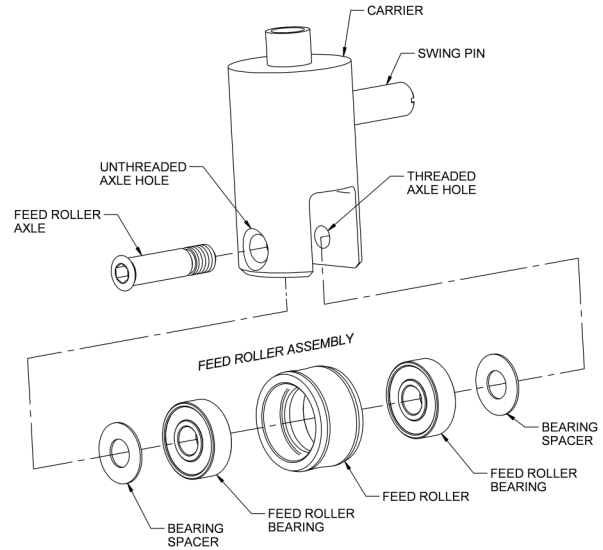
1. Enlevez le bouton de réglage de la tension de l'alimenteur, les ressorts et le piston à ressort. Notez bien la position des pièces pour faciliter le remontage. Le rouleau du dessus peut maintenant être enlevé.
2. Enlevez les anneaux élastiques et les rondelles de butée des cylindres de logement inférieurs. Les rouleaux inférieurs peuvent être retirés.
3. Le remontage s'effectue dans l'ordre inverse.

ROULEAU ENDOMMAGÉ

L'utilisation de l'appareil entraîne l'usure normale des rouleaux après un certain temps. Il est recommandé de changer les 3 rouleaux en même temps (N° de pièce PO-MR-703). Le rouleau de rechange consiste en un rouleau d'alimentation, deux roulements à billes et deux intercalaires.

Remarque : les intercalaires doivent être installés entre le support et chaque roulement à billes (voir illustration ci-dessous),

afin d'assurer un fonctionnement correct et de prolonger la durée de vie du rouleau d'alimentation.



dans le sens des aiguilles d'une montre du sommet

- Support
- Goupille
- Trou d'axe fileté
- Ensemble rouleau d'alimentation
- Intercalaire
- Roulement à billes
- Rouleau d'alimentation
- Roulement à billes
- Intercalaire
- Axe de roulement d'alimentation
- Trou d'axe non fileté

Pour remplacer l'ensemble rouleau d'alimentation :

1. Enlevez l'ensemble rouleau d'alimentation en dévissant et en retirant son axe.
2. Les pièces de rechange sont préassemblées et fixées par un fil métallique à l'usine. Commencez par retirer le fil métallique en maintenant les pièces ensemble.
3. En continuant de ce faire, insérez l'ensemble dans la fente de la pièce porteuse.
4. Afin d'aligner les intercalaires et les roulements, introduisez la pointe d'un crayon ou un objet similaire dans l'extrémité **non filetée** du trou de l'axe sur la pièce porteuse. Après avoir retiré le crayon, continuez de maintenir l'alignement des pièces.
5. L'axe du rouleau d'alimentation doit alors être introduit à travers le même trou d'axe non fileté, et doit être guidé à travers les intercalaires et les roulements jusqu'au trou d'axe fileté, de l'autre côté de la pièce porteuse.
6. Vissez l'axe sur la pièce porteuse avec une clé de 3/16 po.

CÂBLE EMMÊLÉ

Si un câble s'entortille dans le dévidoir, il ne peut pas avancer correctement. Retirez puis remplacez correctement le câble pour corriger la situation. Si le câble a vrillé, c'est une preuve d'abus ou le résultat d'une pression excessive ou de l'usage du mauvais diamètre de câble dans une canalisation. Ne forcez pas un câble ; laissez le couteau faire le travail.

GUIDE DE DÉPANNAGE

Problème	Cause probable	Solution
Le câble s'emmêle, vrille ou casse.	Le câble est forcé.	Ne forcez pas le câble. Laisser le couteau faire le travail.
	Trop de mou entre l'appareil et le drain.	Ne permettez pas une distance de plus de 60 cm entre l'appareil et le drain.
	Mauvais diamètre de câble pour cette canalisation.	Un câble dont le diamètre est trop petit ou trop grand pour une canalisation est plus sujet au vrillage. (Voir Tableau 1—Applications des câbles)
	Câble exposé à l'acide.	Nettoyez et lubrifiez les câbles régulièrement.
Le dévidoir arrête quand la pédale est enfoncée.	Trou dans la pédale ou le boyau.	Remplacez la pièce défectueuse.
	Trou dans l'interrupteur à diaphragme.	S'il n'y a aucun trou dans la pédale ou le boyau, remplacez l'interrupteur à diaphragme.
Le dévidoir tourne dans un sens, mais pas dans l'autre.	Interrupteur de marche arrière ou interrupteur de contact momentané défectueux.	Remplacez l'interrupteur. Remarque : L'interrupteur de contact momentané doit se maintenir en position pour faire fonctionner l'appareil en marche arrière.
Le disjoncteur de fuite à la terre déclenche et ne peut pas être réenclenché.	Cordon électrique ou rallonge endommagé.	Remplacez le cordon électrique.
	Excès d'humidité.	Retirez l'excès d'humidité de cet endroit.
	Court-circuit dans le moteur.	Prenez le moteur au centre de service autorisé. (Appelez Général pour les détails.)
	Disjoncteur de fuite à la terre défectueux.	Remplacez le disjoncteur de fuite à la terre.
Le câble ne sort pas du dévidoir.	Câble emmêlé dans le dévidoir.	Ne faites pas tourner l'appareil en marche arrière. Utiliser le bon diamètre de câble. (Voir Applications des câbles—Tableau 1)
	Rouleau de l'alimenteur bloqué.	Nettoyer et lubrifier les rouleaux régulièrement. Remplacez les rouleaux usés.
	Câble usé.	Si l'enroulement extérieur du câble s'use à plat, le câble devrait être remplacé.
Le moteur tourne, mais pas le dévidoir.	L'embrayage de sécurité glisse parce que le câble est forcé.	Ne forcez pas le câble. Ne permettez pas trop de mou entre l'appareil et le drain.
	Embrayage de sécurité usé.	Remplacez l'embrayage de sécurité.

Metro-Rooter™

Instrucciones de operación

Para líneas de 3 a 10 pulgadas
(75 a 250 mm)



Su Metro-Rooter está diseñado para darle años de servicio rentable y sin problemas. Sin embargo, no hay máquina que sea mejor que el operario.

Lea, entienda y cumpla con todas las advertencias de seguridad e instrucciones que vienen con el producto. Si no se siguen todas estas advertencias e instrucciones se pueden producir descargas eléctricas y/o graves lesiones. Guarde todas las advertencias e instrucciones como referencias futuras.

¡GUARDE ESTAS INSTRUCCIONES!

General
PIPE CLEANERS




ADVERTENCIA
 Lea y entienda el manual del operario antes de usar esta máquina. Si no se siguen las instrucciones de operación podrían producirse graves lesiones o la muerte.

ADVERTENCIA: Lea y entienda todas las instrucciones. Si no se siguen todas las instrucciones que se indican a continuación pueden producirse descargas eléctricas, incendios y/o graves lesiones corporales. El usuario puede solicitar manuales de repuesto de forma gratis o puede descargarlos en nuestro sitio web en www.drainbrain.com. También hay videos de instrucciones que pueden descargarse de nuestro sitio web, o que pueden pedirse. Si tiene preguntas o problemas, comuníquese con el Departamento de Servicio al Cliente de General, llamando al 412-771-6300.

¡GUARDE ESTAS INSTRUCCIONES!

Estas instrucciones están concebidas para que todo el personal quede familiarizado con los procedimientos de operación y mantenimiento seguros del Metro-Router.

SÍMBOLOS DE SEGURIDAD

 Este es un símbolo de alerta de seguridad. Se utiliza para alertar al usuario ante aquellos posibles peligros que pueden causar una lesión personal. Obedezca todos los mensajes de seguridad asociados a este símbolo para evitar posibles lesiones o la muerte.

PELIGRO

PELIGRO indica un peligro con un alto nivel de riesgo que si no se evita resultará en la muerte o en una lesión grave.

ADVERTENCIA

ADVERTENCIA indica un peligro con un nivel medio de riesgo que si no se evita podría resultar en la muerte o en una lesión grave.

PRECAUCIÓN

PRECAUCIÓN indica un peligro con un bajo nivel de riesgo que si no se evita resultará en una lesión de grado menor o moderado.

ADVERTENCIA



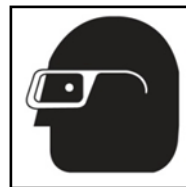
Si enchufa la máquina en un tomacorriente alambrado incorrectamente se puede producir una descarga eléctrica, que puede resultar en la muerte. Si el alambre de conexión a tierra está vivo, usted puede ser electrocutado con sólo tocar la máquina, incluso cuando el interruptor de potencia esté apagado. En esta situación, un interruptor de circuito de falla de la conexión a tierra no lo protegerá. Use un probador aprobado por UL para determinar si el tomacorriente está bien protegido.



No opere herramientas mecánicas en atmósferas explosivas, como por ejemplo en presencia de líquidos, gases o polvos inflamables. Las herramientas eléctricas generan chispas que pueden encender el polvo o los vapores.



Use sólo guantes de cuero. Nunca use ningún otro tipo de guante, como por ejemplo los de tela, caucho o recubiertos. Nunca agarre con un trapo un cable que esté girando. Estos artículos podrían enredarse en el cable y causar graves lesiones.



Use siempre gafas de seguridad y calzado antideslizante con suela de goma. El uso de este equipo de seguridad puede evitar graves lesiones.



Nunca opere la máquina sin el protector de la correa. Los dedos pueden quedar atrapados entre la correa y la polea.



No tense en exceso los cables. La tensión excesiva de los cables puede causar la torcedura, formación de dobleces o rotura del cable y puede producir graves lesiones.

REGLAS GENERALES DE SEGURIDAD



ADVERTENCIA

Lea y entienda todas las instrucciones. Si no se siguen todas las instrucciones que se indican a continuación pueden producirse descargas eléctricas, incendios y/o graves lesiones corporales.

¡GUARDE ESTAS INSTRUCCIONES!

EL ÁREA DE TRABAJO

1. **Mantenga su área de trabajo limpia y bien iluminada.** Los bancos desordenados y las áreas oscuras se prestan a accidentes.
2. **No opere herramientas mecánicas en atmósferas explosivas, como por ejemplo en presencia de líquidos, gases o polvos inflamables.** Las herramientas eléctricas generan chispas que pueden encender el polvo o los vapores.
3. **Mantenga alejados a los espectadores, niños y visitantes mientras opera una herramienta eléctrica.** Las distracciones pueden hacerle perder el control.

SEGURIDAD ELÉCTRICA

1. **Las herramientas conectadas a tierra deben enchufarse en una toma de corriente correctamente instalada y conectada a tierra de acuerdo con todos los códigos y ordenanzas. Nunca saque la espiga de conexión a tierra ni modifique el enchufe de forma alguna. No utilice enchufes adaptadores. Si tiene dudas acerca de si la toma de corriente está correctamente conectada a tierra, pídale a un electricista calificado que la revise.** Si la herramienta tiene fallas eléctricas o se descompone, la conexión a tierra proporciona una trayectoria de baja resistencia para desviar la electricidad en dirección opuesta al usuario..
2. **Evite el contacto del cuerpo con superficies conectadas a tierra como tuberías, radiadores, cocinas y refrigeradores.** El riesgo de que se produzca una descarga eléctrica es mayor si su cuerpo está conectado a tierra.
3. **No exponga las herramientas eléctricas a la lluvia o al agua.** Si entra agua en una herramienta eléctrica, aumentará el riesgo de descarga eléctrica.
4. **No maltrate el cordón. Nunca utilice el cordón para trasladar las herramientas ni para sacar el enchufe de una toma de corriente. Mantenga el cordón alejado del calor, aceite, bordes afilados o piezas móviles. Reemplace inmediatamente los cordones dañados.** Los cordones dañados aumentan el riesgo de descarga eléctrica.
5. **Al operar una herramienta eléctrica en exteriores, utilice un cordón de extensión para uso en exteriores designado como "W-A" o "W".** Estos cordones están calificados para uso en exteriores y reducen el riesgo de descargas eléctricas.
6. **Antes de usar la máquina, pruebe el interruptor de circuito de falla de la conexión a tierra (GFCI) provisto con el cordón eléctrico para asegurarse de que funciona correctamente.** La máquina debe tener un interruptor de circuito de conexión a tierra funcionando correctamente en el cordón eléctrico. El GFCI reduce el riesgo de que se produzca una descarga eléctrica.
7. **No se recomienda usar cordones de extensiones salvo que estén enchufados a un interruptor de circuito de falla de la conexión a tierra (GFCI) que se encuentra en las cajas de circuito o en los receptáculos de los tomacorrientes.** El GFCI en el cordón eléctrico de la máquina no evitará la descarga eléctrica de los cordones de extensión.

8. **Use únicamente cordones de extensión de tres alambres que tengan enchufes de conexión a tierra de tres espigas y tomas de tres polos que acepten el enchufe de la herramienta.** El uso de otro tipo de extensiones o de extensiones dañadas o inferiores no conectará a tierra la herramienta y aumentará el riesgo de descargas eléctricas resultando en lesiones personales o la muerte.
9. **Mantenga todas las conexiones eléctricas secas y alejadas del suelo.** Así reducirá el riesgo de descarga eléctrica.
10. **NO toque los enchufes ni las herramientas con las manos mojadas.** Así reducirá el riesgo de descarga eléctrica.

SEGURIDAD PERSONAL

1. **Manténgase alerta, ponga atención a lo que está haciendo y use sentido común al operar una herramienta mecánica. No use la herramienta si está cansado o está bajo el efecto de drogas, alcohol o medicamentos.** Un momento de descuido al operar herramientas eléctricas puede producir graves lesiones corporales.
2. **Vístase adecuadamente. No use ropa suelta ni joyas. Mantenga sujeto el pelo largo. Mantenga su pelo, ropa y guantes alejados de las piezas móviles.** La ropa suelta, las joyas o el pelo largo pueden quedar atrapados en las piezas móviles.
3. **Evite los arranques accidentales. Antes de enchufar la máquina, asegúrese de que el interruptor esté en la posición apagado.** El portar herramientas con el dedo en el interruptor, o enchufar herramientas con el interruptor activado, pueden resultar en accidentes.
4. **Antes de encender la herramienta, retire las llaves o interruptores de ajuste.** Una llave que se haya dejado instalada en una pieza giratoria de la herramienta puede causar lesiones corporales.
5. **No se estire en exceso. Mantenga en todo momento su apoyo y equilibrio correctos.** Un apoyo y equilibrio correctos permiten controlar mejor la herramienta en situaciones inesperadas.
6. **Use equipo de seguridad. Use siempre gafas de seguridad.** Según las condiciones se deben utilizar máscaras contra el polvo, calzado de seguridad antideslizante, casco duro o protección auditiva.

USO Y CUIDADO DE LA HERRAMIENTA

1. **Use abrazaderas u otra manera práctica de sujetar y apoyar la pieza en una plataforma estable. No fuerce la herramienta.** Sostener la pieza con la mano o contra su cuerpo es inestable y puede llevar a una pérdida del control.
2. **No fuerce la herramienta. Utilice la herramienta correcta para su aplicación.** La herramienta correcta hará mejor el trabajo y de una manera más segura a la velocidad para la que está diseñada.
3. **No use la herramienta si el interruptor no la enciende o apaga.** Cualquier herramienta que no se pueda controlar con el interruptor es peligrosa y debe repararse.
4. **Desconecte el enchufe de la fuente de alimentación antes de hacer cualquier ajuste, cambiar accesorios o guardar la herramienta.** Estas medidas de seguridad preventiva reducen el riesgo de un arranque accidental de la herramienta.
5. **Cuando no se usan, guarde las herramientas fuera del alcance de los niños y otras personas no capacitadas.** Las herramientas son peligrosas en manos de usuarios no capacitados.

- Mantenga las herramientas con cuidado. Mantenga las herramientas cortantes afiladas y limpias. Las herramientas mantenidas correctamente, con bordes cortantes afilados, tienen menos probabilidades de atascarse y son más fáciles de controlar.
- Revise si hay piezas móviles desalineadas o atascadas, piezas rotas y cualquier otra condición que pueda afectar la operación de la herramienta. Si hay daños, haga reparar la herramienta antes de utilizarla. Muchos accidentes se deben a un mantenimiento deficiente de las herramientas.
- Use únicamente accesorios recomendados por el fabricante para su modelo. Los accesorios que pueden ser adecuados para una herramienta pueden ser riesgosos si se utilizan en otra herramienta.

SERVICIO

- El servicio de la herramienta sólo debe realizarlo personal de reparaciones calificado. Un servicio o mantenimiento realizado por personal de reparaciones no calificado puede causar lesiones.
- Al dar servicio a una herramienta, utilice sólo piezas de reemplazo idénticas. Siga las instrucciones descritas en la sección Mantenimiento de este manual. El uso de piezas no autorizadas o la inobservancia de las instrucciones de mantenimiento pueden crear un riesgo de descarga eléctrica o lesiones.

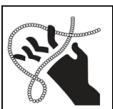
REGLAS ESPECÍFICAS DE SEGURIDAD



Este es un símbolo de alerta de seguridad. Se utiliza para alertar al usuario ante aquellos posibles peligros que pueden causar una lesión personal. Obedezca todos los mensajes de seguridad asociados a este símbolo para evitar posibles lesiones o la muerte.



Si enchufa la máquina en un tomacorriente alambreado incorrectamente se puede producir una descarga eléctrica, que puede resultar en la muerte. Si el alambre de conexión a tierra está vivo, usted puede ser electrocutado con sólo tocar la máquina, incluso cuando el interruptor de potencia esté apagado. En esta situación, un interruptor de circuito de falla de la conexión a tierra no lo protegerá. Use un probador aprobado por UL para determinar si el tomacorriente está bien protegido.



No tense en exceso los cables. La tensión excesiva de los cables puede causar la torcedura, formación de dobleces o rotura del cable y puede producir graves lesiones.

- Use sólo guantes de cuero. Nunca use ningún otro tipo de guante, como por ejemplo los de tela, caucho o recubiertos. Nunca agarre con un trapo un cable que esté girando. Estos artículos podrían enredarse en el cable y causar graves lesiones.
- Nunca opere la máquina sin el protector de la correa. Los dedos pueden quedar atrapados entre la correa y la polea.
- No tense en exceso los cables. Mantenga la mano enguantada en el cable para tener el control mientras la máquina está en funcionamiento. La tensión excesiva de los cables debido a una obstrucción puede causar la torcedura, formación de dobleces o rotura del cable y puede producir graves lesiones.

- Coloque la máquina a una distancia de no más de dos pies del orificio del desagüe. Distancias mayores pueden hacer que el cable se tuerza o doble.
- La máquina está diseñada para ser operada por UNA SOLA PERSONA. El operario está obligado a controlar el pedal y el cable.
- No opere la máquina en reversa (REV). Si opera la máquina en reversa puede resultar que el cable se dañe. La reversa se usa solamente para retirar una herramienta de corte de una obstrucción.
- Mantenga las manos alejadas del tambor giratorio. No extienda la mano en el tambor salvo que la máquina esté desconectada. Las piezas móviles pueden atrapar las manos y pueden resultar en una lesión grave.
- Tenga cuidado al limpiar desagües donde se han utilizado productos químicos de limpieza. Evite el contacto directo con la piel y los ojos. La exposición a esos productos químicos puede causar quemaduras graves al operario y dañar el cable.
- No opere la máquina si el operario o la máquina están parados sobre el agua. Ello aumentará el riesgo de descarga eléctrica.
- Use gafas de seguridad y calzado antideslizante con suela de goma. El uso de este equipo de seguridad puede evitar graves lesiones.
- Antes de comenzar cada trabajo, compruebe que el cable en el tambor no esté roto ni doblado, sacándolo y revisando si presenta desgaste o roturas. Reemplace siempre los cables gastados (que tienen dobleces o están rotos) por cables de reemplazo GENERAL auténticos.
- Utilice esta herramienta sólo en la aplicación para la que fue diseñada. Siga las instrucciones sobre uso adecuado de la herramienta. Otros usos o la modificación del limpiador de desagües para otras aplicaciones pueden aumentar el riesgo de lesiones.

Interruptor de circuito de falla de la conexión a tierra (GFCI)

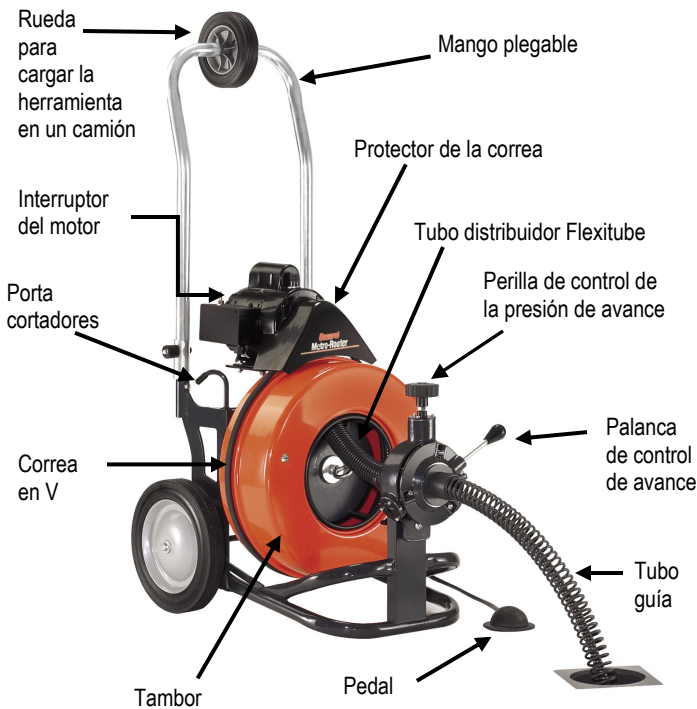
Su máquina está equipada con un interruptor de circuito de falla de la conexión a tierra cuya función es proteger contra una descarga si ocurre un cortocircuito. Revise que el receptáculo esté bien conectado a tierra. Compruebe el funcionamiento del GFCI antes de cada uso.

- Enchúfelo en un receptáculo de 120 V.
- Presione el botón de prueba (Test). La luz indicadora se apagará y se cortará la alimentación a la máquina.
- Si la luz no se apaga cuando se presiona el botón de prueba, **NO USE LA MÁQUINA** hasta hacer las reparaciones apropiadas.
- Para restablecer la alimentación después de la prueba, presione el botón de reposicionar (Reset). Con el botón de reposicionar presionado, si la máquina no arranca, si se detiene cuando está funcionando o si el operario sufre una descarga leve, **¡NO USE LA MÁQUINA!** Etiquétela como fuera de servicio y llévela a un centro de reparación de motores o envíela a la fábrica para su reparación.



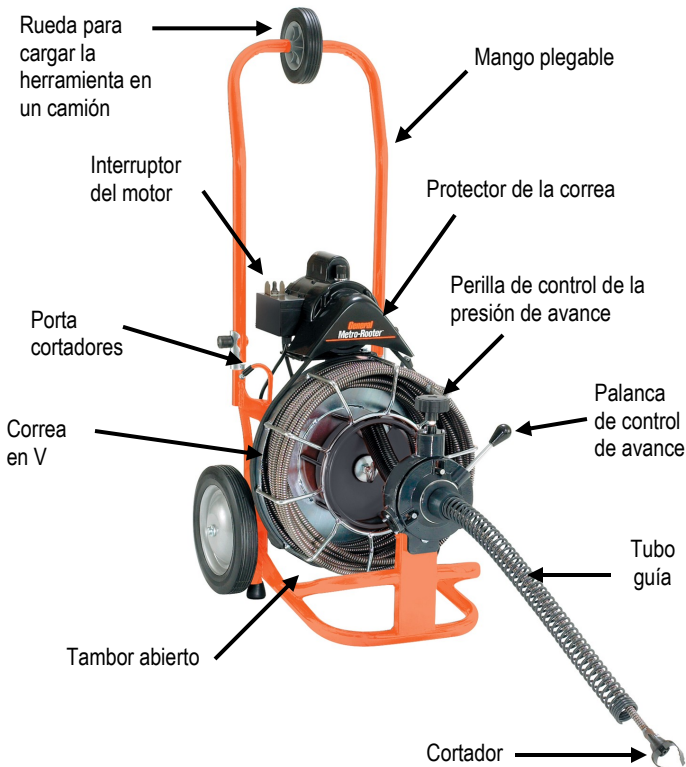
CARACTERÍSTICAS

Metro-Rooter con Tambor Cerrado



AVISO: No opere la máquina si faltan las etiquetas de advertencia en la caja de interruptores y el cordón de fuerza, o si están ilegibles.

Metro Rooter con Tambor Abierto



AVISO: No opere la máquina si faltan las etiquetas de advertencia en la caja de interruptores y el cordón de fuerza, o si están ilegibles.

El mango se pliega haciéndolo compacto para el almacenamiento. (Modelo con tambor abierto mostrado a la derecha.)



Cuadro de aplicaciones de cables (Tabla 1)

Calibre del cable	Tamaño de la tubería	Aplicaciones típicas	Capacidad máx.
1/2 pulg	3 a 4 pulg	Sumideros de lavandería, respiraderos de techos, bajantes (sin raíces).	100 pies
5/8 pulg	3 a 6 pulg	Desagües en el piso, tapones de registro, raíces	75 pies
3/4 pulg	4 a 10 pulg	Desagües grandes, recorridos largos, raíces	50 pies

Cuadro de aplicaciones de cortadores (Tabla 2)

Cortador	Núm. de cat.	Aplicaciones típicas
Cortadores para cables de 1/2 pulgada		
Punta de flecha	AH	Herramienta para empezar, ideal para cortar y raspar.
Cortador en forma de U de 1-1/2 pulg.	1-1/2UC	Herramienta para empezar, para quitar objetos sueltos.
Cortador en forma de U de 2 pulg.	2UC	Herramienta para empezar, para quitar objetos sueltos.
Herramienta pequeña de recuperación	RTR-1	Para quitar objetos sueltos o cables rotos.
Cortadores para cables de 5/8 y 3/4 de pulgada		
Cabeza de lanza	SHD	Herramienta para empezar, ideal para cortar y raspar.
Cortador en forma de U de 2 pulg.	2UC	Herramienta para empezar, para quitar objetos sueltos.
Cortador lateral de uso industrial de 3 pulg.	3HDSC	Herramienta para terminar, para raspar los bordes interiores de las tuberías.
Hoja de sierra de uso industrial de 3 pulg.	3HDB	Corte de raíces y obstrucciones serias.
Herramienta de recuperación	RTR-2	Para quitar objetos sueltos o cables rotos.

Accesorios opcionales para cables de 5/8 y 3/4 de pulgada:

Guía flexible	LE3	Para atravesar trampas.
---------------	-----	-------------------------

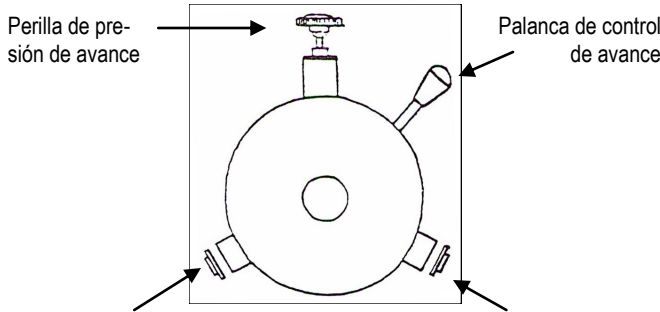
Nota: No hay reglas fijas en relación con qué cortador usar. Si una herramienta no resuelve la obstrucción, simplemente intente con otra.

INSTRUCCIONES DE OPERACIÓN CONFIGURACIÓN



ASEGÚRESE DE QUE EL INTERRUPTOR DEL MOTOR ESTÉ EN LA POSICIÓN APAGADO.

1. Ubique la máquina a no más de dos pies aproximadamente de distancia del orificio de desagüe. Asegúrese de que el tubo guía de Metro-Router (ME-GT) esté en su lugar. Si no puede acercar tanto la máquina al orificio de desagüe, pase el cable a través de la Extensión del Tubo Guía (GTE) opcional o un tubo guía metálico para evitar que se agite. En las máquinas de alimentación manual, siempre mantenga una mano enguantada sobre el cable.
2. Coloque el pedal de manera que sea fácilmente accesible. La máquina está diseñada para que la opere una sola persona. Cerciérese de que puede levantar el pie del pedal rápidamente en caso de emergencia.
3. Cerciérese de que el interruptor del motor se encuentra en la posición de APAGADO (OFF).
4. Cerciérese de que el Alimentador Automático de Cable esté ajustado para el mismo tamaño de cable que usted ha seleccionado. Si usted utiliza cables de 3/4 ó 5/8 de pulgada, el alimentador deberá ensamblarse con la parte levantada de las dos tapas inferiores hacia afuera. Si usted utiliza cables de 1/2 pulgada, el alimentador deberá ensamblarse con la parte levantada de las tapas hacia adentro.



Tapas con parte levantada (mostradas en su posición "hacia afuera")

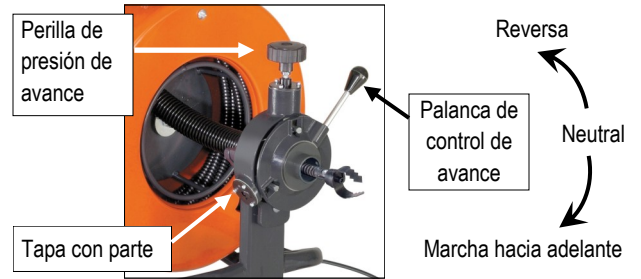
5. Escoja la herramienta de corte apropiada (vea el Cuadro de aplicaciones de los cortadores – Tabla 2). Si usted utiliza el cable de 1/2 pulgada, una buena herramienta para comenzar es la punta de flecha o el cortador en forma de U de 1-1/2 pulg. Para cables de 5/8 y 3/4 pulgada, la cabeza de lanza o el cortador en forma de U de 2 pulg. son buenas herramientas para comenzar. Después de abrir la línea, continúe con cuchillas más grandes que raspen los bordes interiores de la tubería y aseguren un buen trabajo de limpieza.
6. Inserte la herramienta de corte en el conector hembra en el frente del cable y apriételo *firmemente* con el tornillo de conexión y la arandela de seguridad.



OPERACIÓN

1. Antes de pisar el pedal, saque cable del tambor y hágalo avanzar en el desagüe lo más que pueda.

2. Apriete la perilla que se encuentra encima del Alimentador Automático de Cable de manera que el rodillo de alimentación apriete contra el cable. Cerciérese de no apretar demasiado ya que esto podría crear desgaste excesivo del cable.
3. La palanca de alimentación controla la velocidad de alimentación y la dirección del cable. Baje la palanca para alimentar el cable a partir del tambor. El cable saldrá más rápidamente en la medida en que más se baje la palanca. Mueva la palanca hacia arriba para recoger el cable en el tambor. Cuando la palanca se encuentra en la posición del medio (neutral) el cable girará en el lugar.
4. Lleve el interruptor del motor a la posición **FORWARD** (avance).
5. Coloque una mano enguantada en cuero en el tubo guía o en el cable y apriete el pedal de aire para que la máquina comience.



Alimente el cable a la línea y en contra de la obstrucción con presión firme y uniforme. Ajuste la velocidad de alimentación de acuerdo a la resistencia que se encuentre. No fuerce el cable, deje que el cortador haga el trabajo. El trabajo no avanzará más rápidamente y podría dañar el cable.

**NO USE DEMASIADA FUERZA:
DEJE QUE EL CORTADOR HAGA EL TRABAJO.**

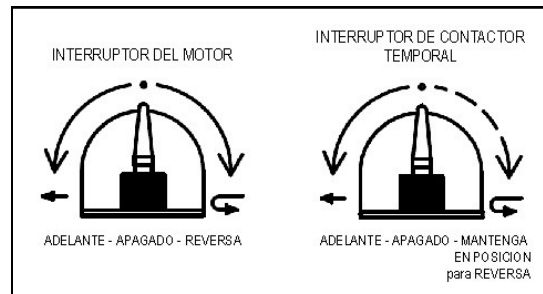
6. No deje demasiado cable suelto ya que ello causará que se agite. Si el cable empieza a doblarse o si se tuerce demasiado, afloje la presión sobre el pedal y gire el tambor en dirección opuesta para disminuir la torcedura del cable. Empuje el cable sobrante de vuelta al tambor y luego continúe.



NO PERMITA DEMASIADO HOLGURA ENTRE LA MÁQUINA Y EL ORIFICIO DEL DESAGÜE YA QUE ESTO PUEDE CAUSAR AZOTES DEL CABLE.

7. Si tiene problemas para avanzar en las curvas, pruebe poniendo la máquina en reversa mientras aplica presión constante. (Si emplea el Alimentador Automático de Cable, al poner el motor en reversa hará que la palanca de control de la alimentación opere en sentido opuesto al normal).

Nota: Si la máquina está equipada con un interruptor de reversa de contacto temporal, debe mantener el interruptor en su posición cuando use la máquina en reversa.



No haga esto por más de unos segundos cada vez ya que puede hacer que el cable se enrede o causar dobleces en el tambor.

8. Si aún no puede avanzar en las curvas, probablemente esté empleando un cable demasiado grande. Utilice un cable de diámetro más pequeño (vea el Cuadro de aplicaciones de cables – Tabla 1) o utilice la guía flexible opcional.
9. Cuando el cable alcance la obstrucción, ponga el alimentador en la posición neutral. Entonces, permita que el cable avance lentamente, y que muerda la obstrucción. Este movimiento lento hacia delante reducirá la tensión sobre el cable y hará que la limpieza sea más completa. Un movimiento hacia atrás y adelante a menudo proporciona los mejores resultados.

Consejo: Suele ser útil tener un pequeño flujo de agua en la línea para eliminar los residuos de cortaduras mientras la máquina está en operación y después de ello.

10. Tenga cuidado de que el cortador no se trabe en la obstrucción mientras que trabaja para eliminarla. Esto puede causar la formación de cocas que hagan que el cable se parta. Cuando sienta que el cable comienza a torcerse en sus manos, detenga la máquina y tire hacia atrás. Esto liberará el cortador de la obstrucción. Entonces permita que el cable se desplace lentamente hacia adelante en la obstrucción. Recuerde que cuando las cuchillas no giran, no cortan.
11. Después que se abra la línea, ponga el cable de nuevo en el tambor con el motor girando en la posición **Forward** (avance). Esto es importante para evitar que el cable se enrede en el tambor o en la línea.
12. Cuando la herramienta de corte está cerca de la apertura del desagüe, quite el pie del pedal para detener la rotación del tambor. Nunca retraiga la herramienta de corte del desagüe mientras el cable esté rotando. El cable podría actuar como un látigo y causarle una lesión severa.

NO UTILICE REVERSA PARA SACAR EL CABLE DEL DESAGÜE. PODRÍA HACER QUE EL CABLE SE DOBLE O ENREDE EN EL TAMBOR.

OPERACIONES ESPECIALES

SI EL CABLE QUEDA ATRAPADO EN LA LÍNEA

El motor se puede poner en reversa para liberar el cable si éste queda atrapado en la línea. (Nota: si emplea el Alimentador Automático de Cable, al poner el motor en reversa hará que la palanca de control de la alimentación opere en sentido opuesto al normal).

1. Mueva el conmutador de palanca a la posición de reversa.
2. Apriete el pedal mientras tira del cable.
3. Después que libere el cable, mueva el conmutador de palanca a la posición **forward** (avance).

NO DEJE ENCENDIDO EL MOTOR EN REVERSA POR MÁS DE VARIOS SEGUNDOS PORQUE PODRÍA HACER QUE EL CABLE SE DOBLE O ENREDE EN EL TAMBOR.

SI EL CABLE SE ENREDA EN EL TAMBOR

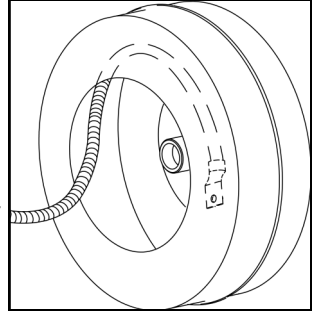
Esto se debe a un exceso de presión al hacer avanzar el cable o a que se hizo avanzar el cable mientras la máquina funcionaba en reversa. Para desenredar, haga girar el tambor en la dirección opuesta. Esto por lo regular logra que el cable se coloque correctamente en el tambor.

Si el cable se ha enredado mucho, lo cual no sucederá si se usa la máquina de manera apropiada, quizás sea necesario sacar todo el cable del tambor e instalarlo de nuevo (vea la sección "Para instalar el cable en el tambor").

PARA INSTALAR EL CABLE EN EL TAMBOR

¡DESCONECTE LA MÁQUINA DE LA FUENTE DE ALIMENTACIÓN ANTES DE INSTALAR CABLES O TAMBORES!

1. Conecte el extremo macho del cable al cable de conexión del tambor que ya está fijado al tambor.
2. Quite la correa en forma de "V".
3. Gire el tambor en el sentido de las manecillas del reloj con una mano mientras empuja el cable hacia dentro del tambor con la otra mano.
4. Cerciórese de que el cable entra en el tambor en el sentido de las manecillas al mirar el frente de la máquina; en caso contrario, el cable se enredará.
5. Vuelva a colocar la correa en forma de "V" después de que el cable haya sido instalado.



Nota: El cable debe recostarse en el tambor en la dirección de las manecillas del reloj.



CÓMO INTERCAMBIAR LOS TAMBORES

DESCONECTE LA MÁQUINA DE LA FUENTE DE ALIMENTACIÓN ANTES DE QUITAR UN TAMBOR.

1. Quite el protector de la correa aflojando la perilla que se encuentra encima del motor.
2. Empuje el motor hacia abajo lo suficiente para quitar la correa en forma de "V" del tambor.
3. Quite el cortador y el tornillo de conexión de la punta del cable.
4. Quite la perilla detrás del poste frontal y saque el Alimentador Automático de Cable de la máquina.
5. Con una mano puesta sobre el cable, afloje la perilla en la tapa del poste frontal y abra la tapa. El tubo flexible saldrá de la tapa del poste.
6. Quite el perno de argolla en el centro del tambor y quite el tambor del eje y póngalo hacia un lado.
7. Siga el procedimiento en orden inverso para instalar el tambor.
8. Para instalar de nuevo el tubo flexible, saque alrededor de 12 pulgadas de cable más allá del marco, y entonces guíe el tubo flexible para que entre en la tapa del poste frontal.
9. Posicione el tubo flexible de manera que el agujero en el buje va sobre el pasador de guía en la base de la abrazadera del poste frontal. Asegúrese de que el buje del tubo flexible no sobresalga de la abrazadera del poste frontal.
10. Desde la parte exterior del poste frontal, empuje el cable hacia abajo con una mano para asegurar que el tubo flexible quede en posición dentro de la abrazadera, entonces cierre la tapa y apriete la perilla con la otra mano.



MANTENIMIENTO



¡DESCONECTE LA MÁQUINA DE LA FUENTE DE ALIMENTACIÓN ANTES DE DARLE MANTENIMIENTO!

Para mantener su máquina operando sin problemas, es esencial que todos los rodamientos y los bujes del tubo distribuidor estén lubricados. La lubricación de las piezas móviles es particularmente importante si la máquina debe entrar en contacto con arena, arenisca y otros materiales abrasivos.

MANTENIMIENTO DEL CABLE

Para obtener el máximo de servicio de los cables, asegúrese de que estén limpios y bien lubricados. Esto no sólo proporciona lubricación mientras que la máquina funciona, sino que también prolonga en gran medida la vida útil de los cables. Algunos usuarios periódicamente echan aceite directamente en el tambor. Así, al girar el tambor, los cables se lubrican completamente. Nuestro ACEITE SNAKE es ideal para esto, dado que no sólo lubrica los cables sino también los desodoriza.



MANTENIMIENTO DEL ALIMENTADOR

Mantenga el alimentador sin acumulación excesiva de tierra y arenisca. Se recomienda que el alimentador se enjague con agua limpia seguido de una ligera aplicación de aceite a las partes móviles. Normalmente no se requiere desmontar el equipo. Las razones habituales por las que el cable no avanza son las siguientes:

ACUMULACIÓN DE SUCIEDAD

En el tiempo, la suciedad puede endurecerse lo suficiente para detener la rotación de los rodillos. Una limpieza con agua seguida de abundante aplicación de aceite habitualmente puede restaurar el funcionamiento. Si necesita desarmar el equipo, hágalo de la manera siguiente:

1. Quite la perilla de tensión del alimentador, los resortes y el émbolo de resorte. Anote la posición de las partes para simplificar el ensamblaje de nuevo. El rodillo superior puede ahora quitarse.
2. Quite los anillos elásticos y las arandelas de empuje de los cilindros protectores inferiores. Los rodillos inferiores pueden ahora quitarse.
3. Para ensamblar de nuevo, siga el orden inverso.

RODILLO DAÑADO

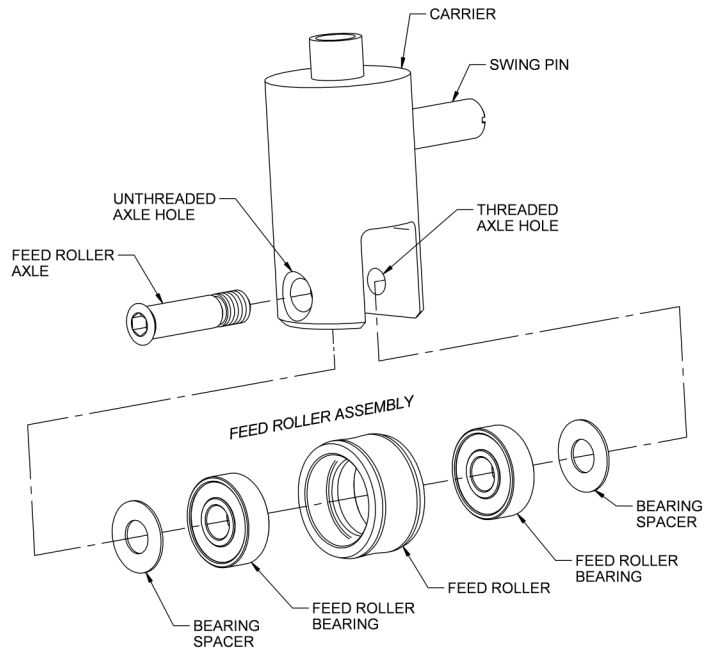
El uso excesivo puede desgastar un rodillo al punto de que deje de funcionar. Se recomienda que los tres rodillos se cambien al mismo tiempo (Núm. de pieza PO-MR-703). El rodillo de repuesto es un ensamblado que consiste de un Rodillo de Alimentación, dos Cojinetes de Rodillo de Alimentación, y dos Espaciadores de Cojinetes.

AVISO: Los Espaciadores de Cojinetes deben instalarse entre el Portador y cada Cojinete de Rodillo de Alimentación (según se ilustra abajo) para poder garantizar el funcionamiento correcto y obtener la vida máxima del Rodillo de Alimentación.

Para reemplazar el Ensamblado del Rodillo de Alimentación:

1. Quite el Ensamblado del Rodillo de Alimentación destornillando y quitando el Eje de Rodillo de Alimentación
2. Para más conveniencia, los componentes vienen ensamblados y cableados de fábrica. Antes de tratar de instalar el ensamblado, mantenga unido el ensamblado y quite el alambre.

3. Mientras que mantiene unido el Ensamblado de Rodillo de Alimentación, insértelo en la ranura del Portador.
4. Con objeto de alinear los Espaciadores y los Cojinetes, inserte la punta de un lápiz o un objeto parecido a través del extremo **sin roscar** del agujero del Eje en el Portador. Después de quitar la punta del lápiz, siga manteniendo el alineamiento de los componentes.
5. El Eje del Rodillo Alimentador debe insertarse entonces a través del mismo agujero sin roscar del eje y debe seguir siendo guiado a través de los Espaciadores y Cojinetes hasta el agujero roscado del Eje en el lado opuesto del Portador.
6. Afiance el Eje al Portador fijamente con una llave Allen de 3/16".



las agujas del reloj desde la parte superior

PORTADOR

PASADOR DE OSCILACIÓN

AGUJERO ROSCADO DEL EJE

ENSAMBLADO DEL RODILLO DE ALIMENTACIÓN

ESPACIADOR DEL COJINETE

COJINETE DEL RODILLO DE ALIMENTACIÓN

RODILLO DE ALIMENTACIÓN

COJINETE DEL RODILLO DE ALIMENTACIÓN

ESPACIADOR DEL COJINETE

EJE DE RODILLO DE ALIMENTACIÓN

AGUJERO SIN ROSCAR DEL EJE

CABLE ENREDADO

Si el cable se enreda consigo mismo en el tambor, no podrá avanzar correctamente. Quite y vuelva a cargarlo con la mano para restaurar su función. Si el cable está doblado, es prueba de un maltrato y resultado del uso de mucha presión o del uso de un cable con la capacidad incorrecta para la línea. No fuerce el cable. Deje que el cortador haga el trabajo.

GUÍA DE SOLUCIÓN DE PROBLEMAS

Problema	Causa Probable	Solución
Formación de dobleces, enredos o roturas en el cable.	El operario forzó el cable.	No fuerce el cable. Deje que el cortador haga el trabajo.
	Demasiado cable suelto entre la máquina y el desagüe.	No deje más de dos pies entre la máquina y el desagüe.
	Se usó el cable en una línea de desagüe del tamaño incorrecto.	Un cable de diámetro demasiado grande o demasiado pequeño para una línea tiene más probabilidades de formar cocas. (Consulte el Cuadro de aplicaciones de cables – Tabla 1).
	Cable expuesto a ácidos	Limpie y lubrique regularmente los cables.
El tambor se detiene cuando se oprime el pedal.	Hueco en el pedal o manguera.	Sustituya el componente dañado.
	Hueco en el interruptor de diafragma.	Si no encontró problema con el pedal o la manguera, sustituya el interruptor de diafragma.
El tambor gira en una dirección pero no en la otra.	Interruptor de reversa o interruptor de contacto temporal defectuoso.	Sustituya el interruptor. Nota: El interruptor de contacto temporal debe mantenerse en su posición cuando use la máquina en reversa.
El interruptor de falla de la conexión a tierra se dispara y no puede reposicionarse.	El cordón de alimentación el cordón de extensión está dañado.	Sustituya los cordones.
	Humedad excesiva en el área.	Elimine la humedad excesiva del área.
	Cortocircuito en el motor.	Lleve el motor a un centro autorizado de reparaciones. (Llame General para solicitar más detalles.)
	El interruptor de circuito de falla de la conexión está defectuoso.	Sustituya el interruptor de circuito de falla de la conexión a tierra.
No alimenta.	El cable está enredado en el tambor.	No opere la máquina en reversa. Utilice el tamaño adecuado de cable. (Consulte el Cuadro de aplicaciones de cables – Tabla 1).
	Los rodillos de alimentación no giran.	Limpie y lubrique los rodillos de alimentación de manera regular. Sustituya los rodillos desgastados.
	El cable está desgastado.	Cuando el cable se aplana por desgaste, el cable deberá sustituirse.
El motor gira pero el tambor no se mueve.	El embrague de seguridad desliza porque el operario forzó el cable.	No fuerce el cable. No deje demasiado cable suelto entre la máquina y el desagüe.
	El embrague de seguridad está desgastado.	Sustituya el embrague de seguridad.

General Wire Spring Co.
1101 Thompson Avenue
McKees Rocks, PA 15136
412-771-6300 www.drainbrain.com