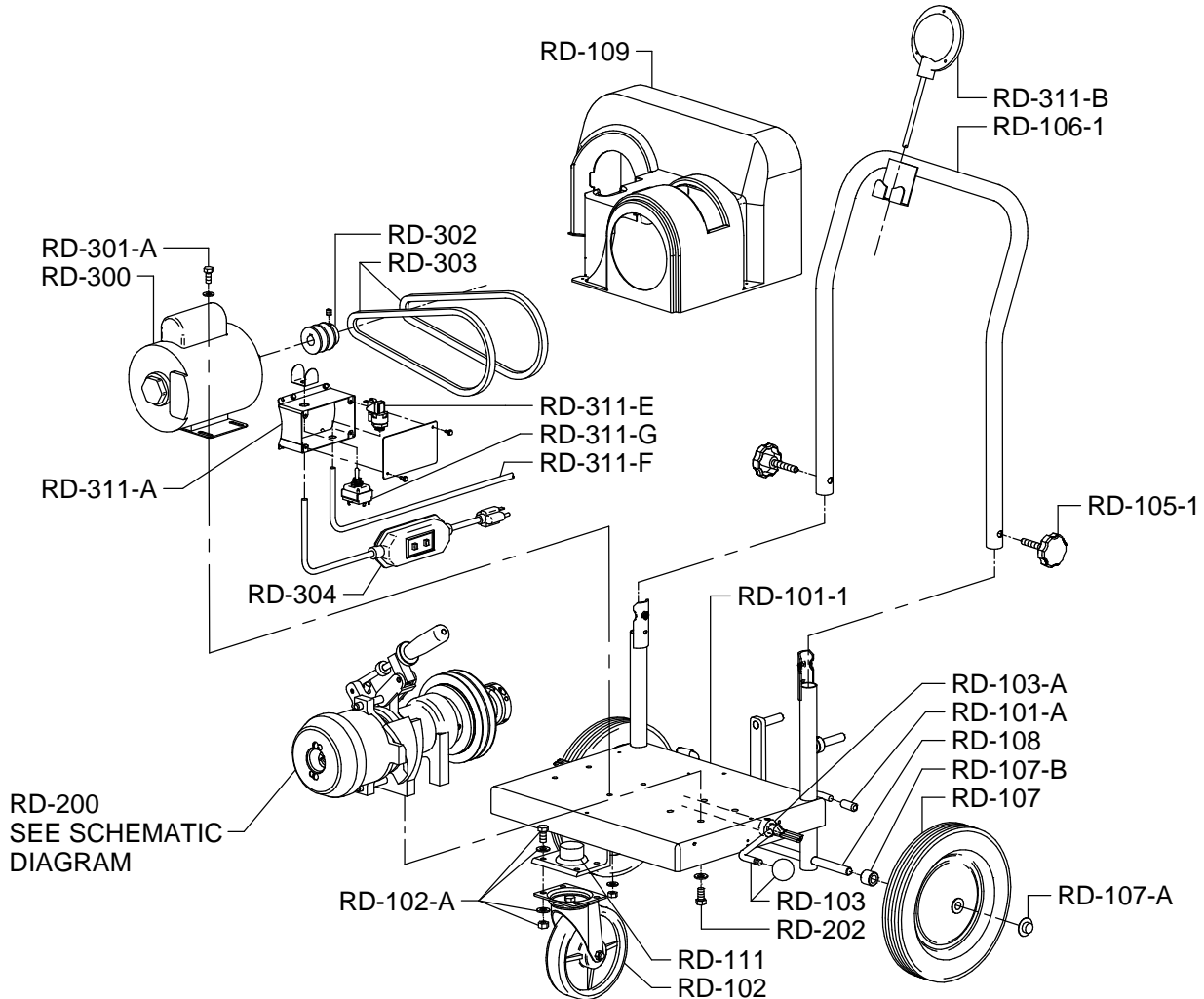
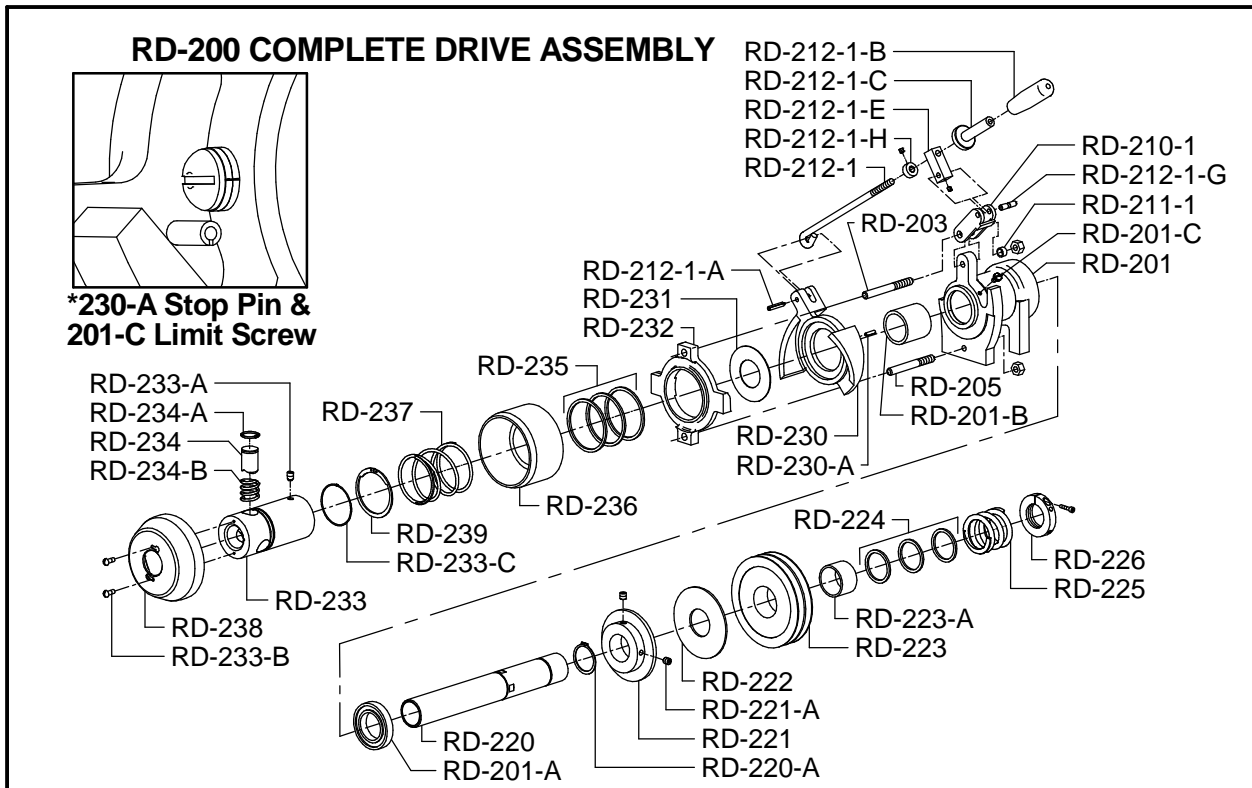


RODRUNNER PARTS LIST

ITEM NO.	CATALOG NO.	DESCRIPTION	ITEM NO.	CATALOG NO.	DESCRIPTION
161550	RD-100	Frame Complete	162390	RD-223	Double Grooved Clutch Pulley
161550	RD-100-1	Frame Complete	162391	RD-223-A	Double Grooved Pulley Bushing
161560	RD-101	Base w/Axle	162430	RD-224	Thrust Bearing Set
161560	RD-101-1	Base w/Axle	162460	RD-225	Tension Spring
161561	RD-101-A	Rubber Cord Wrap Tips (2)	162490	RD-226	Tension Adjusting Collar w/Cap Screw
161570	RD-102	5" Caster	162560	RD-230	Chuck Cam
161571	RD-102-A	Caster Retaining Bolts, Nuts, & Washers (4)	162570	RD-230-A	Stop Pin (Serial #1412 & Up)
161580	RD-103	Brake Rod w/Handle & Knob	162600	RD-231	Steel Plate Spacer
161582	RD-103-A	Brake Rod Retaining Collar w/Set Screw (2)	162630	RD-232	Chuck Cam Follower
161590	RD-104	Handle Sockets (2)	162660	RD-233	Chuck Body w/Spring Retaining Ring for Return Spring (RD-239)
161595	RD-104-A	Hex Head Bolts w/Hex Nuts 1-3/4" (2)	162670	RD-233-A	Chuck Body Set Screws (2)
161670	RD-105	Handle Locking Knobs (2)	162680	RD-233-B	Chuck Cone Cover Screws (2)
161670	RD-105-1	Handle Locking Knobs (2)	162690	RD-233-C	Positioning Ring for Chuck Jaws
161675	RD-106	Handle	162720	RD-234	Chuck Jaws w/Rings (3) (for 1-1/4" dia. Cables)
161675	RD-106-1	Handle	160835	R-R10AD	Chuck Jaws w/Rings (3) (for 7/8" dia. Cables)
161720	RD-107	10" Rubber Wheel w/Hat-Type Push Nut (1)	162730	RD-234-A	Chuck Jaw Rings (3)
161721	RD-107-A	Hat-Type Push Nut (2)	162740	RD-234-B	Chuck Jaw Springs (3)
161722	RD-107-B	Wheel Spacer (2)	162770	RD-235	Chuck Bearing & Races
161725	RD-108	Axle	162800	RD-236	Chuck Cone
161840	RD-109	Plastic Cover	162830	RD-237	Chuck Cone Return Spring
161850	RD-110	Plastic Cover Screws (4)	162860	RD-238	Chuck Cone Cover
161852	RD-111	Section Counter Assembly	162870	RD-239	Spring Retaining Ring for Return Spring
161930	RD-200	Complete Drive Assembly	163011	RD-300	3/4 hp Motor w/GFCI, Foot Switch & Rev. Switch
161960	RD-201	Bearing Housing Complete	163014	RD-300-1HP	1 hp Motor w/GFCI, Foot Switch & Rev. Switch
161970	RD-201-A	Rear Ball Bearing	163020	RD-302	Double Grooved Motor Pulley
161980	RD-201-B	Front Bronze Bushing	163380	RD-311	Air Foot Switch & Reverse Switch Assembly
161990	RD-201-C	Limit Screw (Serial #1412 & Up)	163383	RD-311-A	Box Only w/Cover & Screws
161995	RD-202	Hex Head Bolts 3/8" x 3/4" w/Washers (4)	163385	RD-311-B	Foot Pedal & Hose
162050	RD-203	Upper Cam Follower Guide Pin w/Nut	163386	RD-311-C	Hose Clamp
162090	RD-205	Lower Cam Follower Guide Pin w/Nut	163387	RD-311-D	Foot Pedal Only
162190	RD-212-210-1	Chuck Handle Assembly	136080	RD-311-E	Power Switch Diaphragm
162195	RD-210-1	Chuck Handle Link	163389	RD-311-F	Air Hose (11 ft.)
162200	RD-211-1	Chuck Handle Link Spacer	136130	RD-311-G	Reverse Switch (3-Way)
162225	RD-212-1	Chuck Handle Rod	163392	RD-311-H	Rubber Boot (Rental Units Only)
162231	RD-212-1-A	Chuck Handle Rod Roll Pin	156393	RD-311-J	Barbed Adapter
162233	RD-212-1-B	Aluminum Chuck Handle	156395	RD-311-N	Strain Relief Nut
162235	RD-212-1-C	Chuck Handle Adjusting Nut	163016	RD-301-A	5/16" Hex Head Bolt w/Hex Nut (4)
162237	RD-212-1-E	Chuck Handle Block w/Set Screw	163018	RD-301-B	5/16" SAE Washer (8)
162239	RD-212-1-F	Chuck Handle Block Screw	163110	RD-303	30" V-Belts (2)
162241	RD-212-1-G	Chuck Handle Block Pin	136000	GFI-20	20 ft. Power Cord w/Moulded Plug & GFCI
162242	RD-212-1-H	Chuck Handle Collar w/Set Screw	160350	RGH	Rear Guide Hose
162310	RD-220	Chuck Shaft	160340	CF	Cable Feeding Tool
162312	RD-220-A	Chuck Shaft Snap Ring	132210	RD-DECAL	Set of Safety Decals
162320	RD-221	Clutch Pressure Plate Casting	132360	RD-DVD	Instructional DVD
162322	RD-221-A	3/8" Allen Head Set Screws (2)			
162360	RD-222	Friction Disc			

RODRUNNER SCHEMATIC DIAGRAM



IMPORTANT: When ordering, give Serial Number of Machine.