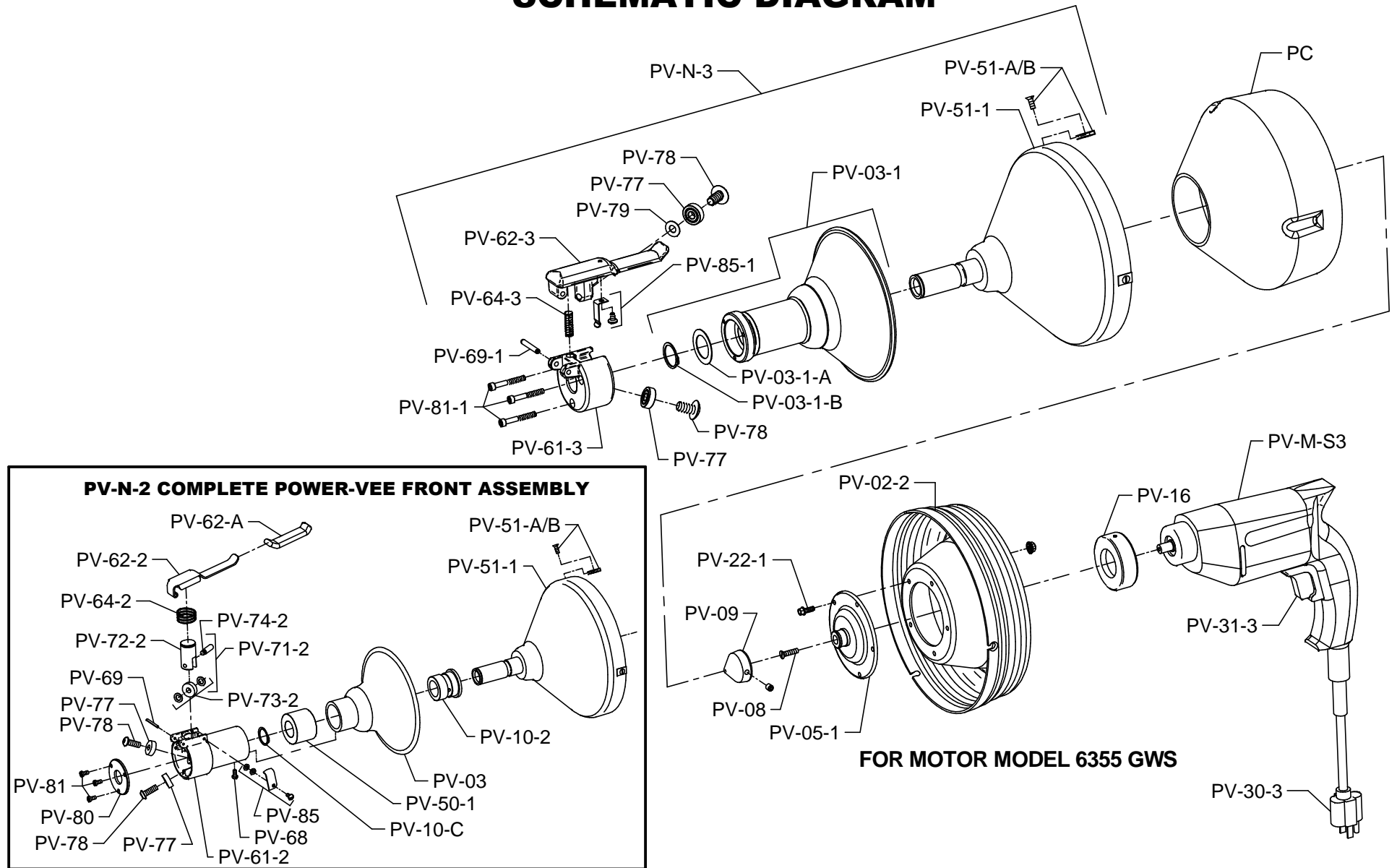


POWER-VEE PARTS LIST

ITEM NO.	CATALOG NO.	DESCRIPTION	ITEM NO.	CATALOG NO.	DESCRIPTION
141525	PV-M-S	Skil Variable Speed Motor (Model #81596)	141775	PV-35	Spacer Washer
141550	PV-M-S3	Skil Variable Speed Motor (Model #6355-GWS)	141810	PV-36-5	Brush Set (#6355-GWS)
141518	PV-M-B/220	Bosch Variable Speed 220/50 Motor	141785	PV-37	Handle Covers (#81596)
141555	PV-N-2	Complete Power-Vee Front Assembly	141820	PV-37-1	Handle Covers (#6355-GWS)
141560	PV-N-3	Complete Power-Vee Front Assembly (Series 3)	141795	PV-39-3	Holder for Brush & Spring (2) (#81596)
141530	PV-51	Container Front (w/PV-51-A/B)	143570	PV-40-B/220	Spacer for Bosch 220/50 Motor
141535	PV-51-1	Container Front - Gripperless	141830	PV-50	Bushing
141540	PV-51-A/B	"U" Nuts & Flat Head Screws (3)	141835	PV-50-1	Bushing
141545	PV-02	Container Back	141857	PV-61-2	Feed Housing
141570	PV-03	Grip Shield	141853	PV-61-3	Feed Housing (Series 3)
141573	PV-03-1	Grip Shield (Series 3)	141845	PV-62-2	Feed Lever w/Sleeve
141667	PV-03-1-A	Thrust Washer (Series 3)	141865	PV-62-A	Sleeve for PV-62-2
141645	PV-03-1-B	Snap Ring	141847	PV-62-3	Feed Lever (Series 3)
141575	PV-04	Gear Case Body	141880	PV-64	Tension Spring
141580	PV-05	Gear Case Cap	141875	PV-64-2	Tension Spring
141615	PV-05-1	Container Hub for Direct Drive	141877	PV-64-3	Tension Spring (Series 3)
143610	PV-05-2	Container Hub for Direct Drive Unit w/1/2 Drill Spindle	141910	PV-67	Set Screws & Washers (2)
141585	PV-06	Internal Ring Gear	141920	PV-68	Phillips Head Screw
141590	PV-07	Pinion & Spindle Gear Assembly	141885	PV-69	Feed Lever Pin
141620	PV-08	Reverse-Thread Screw for Direct Drive Unit	141887	PV-69-1	Feed Lever Pin (Series 3)
141595	PV-09	Beveled Collar w/Set Screw	141930	PV-70	Inner Feed Body
141600	PV-10	Spindle Sleeve (Inc. PV-10-A)	141940	PV-71	Feed Roller Assembly (Includes PV-72-2, 73, 74, 75)
141605	PV-10-1	Spindle Sleeve - Gripperless w/Retaining Ring	141895	PV-71-2	Feed Roller Assembly (Includes PV-64-2, 72-2, 73-2, 74-2)
141610	PV-10-2	Spindle Sleeve - Gripperless	141950	PV-72	Carrier
141640	PV-10-A	Spindle Sleeve Retaining Ring	141905	PV-72-2	Carrier
141645	PV-10-C	Snap Ring	141960	PV-73	Feed Roller
141660	PV-10-D	Spacer	141970	PV-74	Feed Roller
141665	PV-12	Thrust Washer	141925	PV-74-2	Shaft Pin
141630	PV-16	Thrust Bearing for Motor (#6355-GWS)	141980	PV-75	Shaft Pin
141685	PV-22	Machine Screws w/Lock Washers (5)	141935	PV-77	Feed Roller (1)
141687	PV-22-1	Flange Head Screws & Lock Nuts (5)	141945	PV-78	Feed Roller Retaining Screw (1)
141690	PV-23	Fillister Head Screws (4)	141947	PV-79	Carrier Feed Roller Spacer
141300	PV-25	Cable Grippers (2)	141955	PV-80	Feed Cover Plate
136020	PV-26	Screws w/Locktite (2)	141965	PV-81	Plate Retaining Screw
141740	PV-28	Collar w/Set Screw	141967	PV-81-1	Feed Housing Retaining Screw (Series 3)
141745	PV-29	Lock Screw	141975	PV-85	Feed Lever Retaining Latch, Screw & Washers
136040	PV-30-S	Cord Set (Model #81596)	141977	PV-85-1	Feed Lever Retaining Latch & Screw (Series 3)
136030	PV-30-3	Cord Set (Model #6355-GWS)	141985	PV-700	Complete Feed Assembly
143590	PV-30-B/220	Cord Set for Bosch 220/50 Motor	171987	PV-700-1	Complete Feed Assembly (Series 3) (Includes PV-61-3, PV-62-3, PV-64-3, PV-69-1, 3 x PV-77, 3 x PV-78, PV-79, PV-81-1, PV-85-1)
136100	PV-31-V-S	Variable Speed Trigger & Rev. Switch Assy. (Model #81596)	141990	PV-703	Set of Roller Assemblies (3 x PV-71)
136090	PV-31-3	Variable Speed Trigger & Rev. Switch Assy. (Model #6355-GWS)	141992	PV-703-2	Set of Roller Assemblies (PV-71-2, 2 x PV-77)
143580	PV-31-V-B/220	Trigger Switch Assembly for Bosch 220/50 Motor	141993	PV-703-3	Set of Roller Assemblies (Series 3) (PV-79, 3 x PV-77)
141760	PV-32	Felt Washer	120500	PC	Plastic Cartridge
141765	PV-33	Armature for Skil (#81596)	133010	MCC	Carrying Case
141800	PV-33-1	Armature for Skil (#6355-GWS)	141991	PV-DECAL	Set of Safety Decals
141770	PV-34	Field for Skil (#81596)			
141805	PV-34-1	Field for Skil (#6355-GWS)			

POWER-VEE SCHEMATIC DIAGRAM



IMPORTANT: When ordering, give Serial Number of Machine.