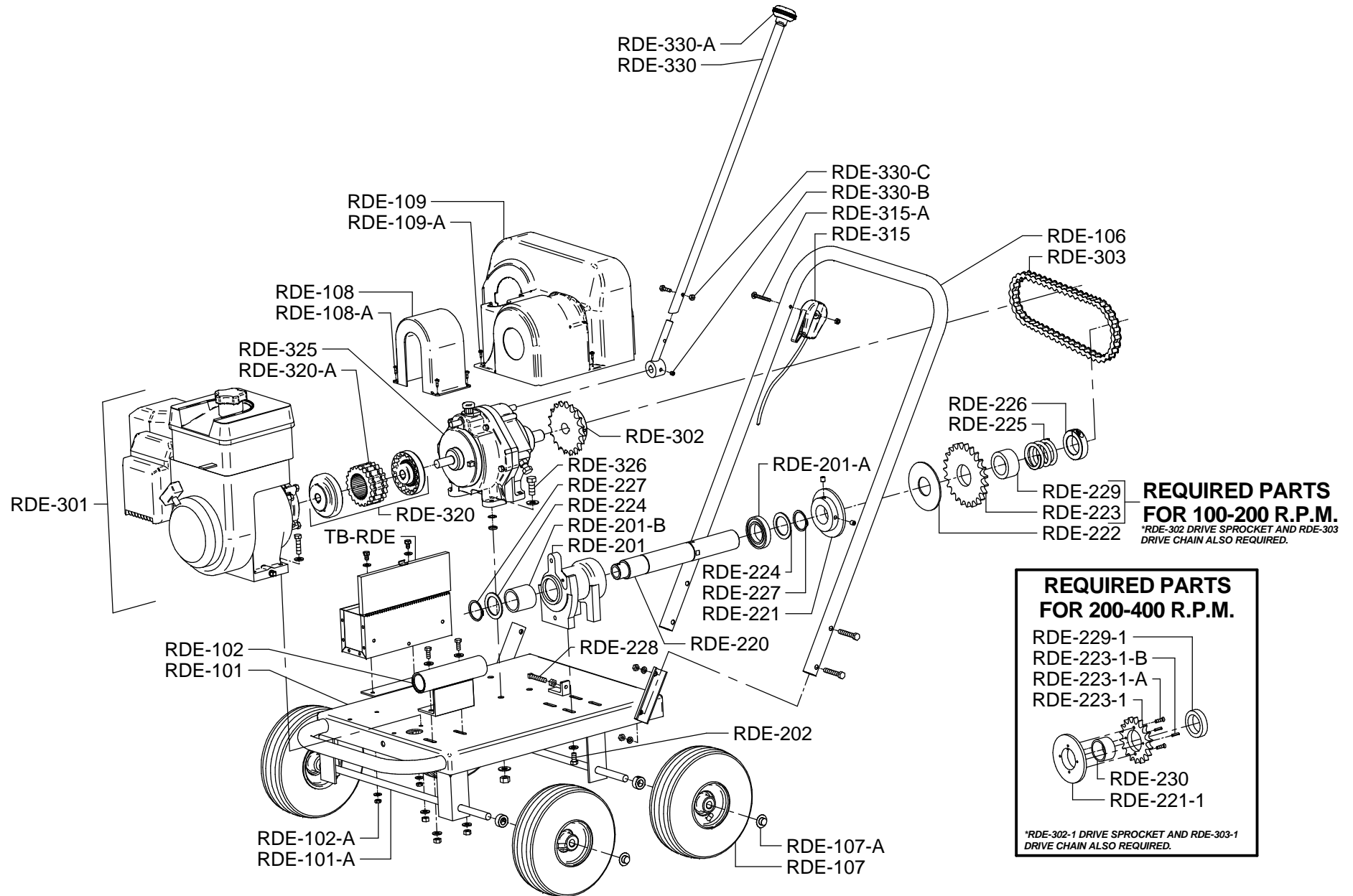


MODEL "E" GAS RODRUNNER PARTS LIST

ITEM NO.	CATALOG NO.	DESCRIPTION	ITEM NO.	CATALOG NO.	DESCRIPTION
163485	RDE-100	Frame Complete	163605	RDE-225	Tension Spring
163490	RDE-101	Base Only w/Axles	163610	RDE-226	Tension Adjusting Colar w/Screw
163495	RDE-101-A	Axle (1)	163611	RDE-227	Snap Rings (2)
163505	RDE-102	Guide	163619	RDE-228	Square Head Set Screw & Lock Nut
163510	RDE-102-A	Bolts, Nuts & Washers	163612	RDE-229	Spacer (100-200 RPM)
163515	RDE-106	Handle	163613	RDE-229-1	Spacer (200-400 RPM)
163520	RDE-107-1	Pneumatic Tire (1)	163614	RDE-230	Bushing (200-400 RPM)
163525	RDE-107-A	Hat-Type Push Nut (4)	163006	RDE-301	205cc 4 Stroke Engine
163530	RDE-108	Engine Coupling Guard	163618	RDE-302	Drive Sprocket (100-200 RPM)
163535	RDE-108-A	Screws for Coupling Guard (4)	163620	RDE-302-1	Drive Sprocket (200-400 RPM)
163540	RDE-109	Chain Guard (100-200 RPM)	163625	RDE-303	Drive Chain (100-200 RPM)
163543	RDE-109-1	Chain Guard (200-400 RPM)	163630	RDE-303-1	Drive Chain (200-400 RPM)
163545	RDE-109-A	Screws for Gear Guard (5)	163650	RDE-310	Throttle Cable - Discontinued
163550	RDE-200	Drive Assembly (100-200 RPM)	163660	RDE-315	Throttle Control Assembly
163555	RDE-200-1	Drive Assembly (200-400 RPM)	163665	RDE-315-A	Mounting Screws (2)
163560	RDE-201	Bearing Housing	163668	RDE-320	Engine Coupling
163565	RDE-201-A	Rear Ball Bearing	163671	RDE-320-A	Coupling Sleeve
163570	RDE-201-B	Front Bronze Bushing	163675	RDE-325	Hot Shift Transmission
163575	RDE-202	Bolts & Washers	163680	RDE-326	Bolts, Nuts, Washers, Small Spacers & Large Spacers (4)
163580	RDE-220	Drive Shaft	163685	RDE-330	Transmission Control Handle
163585	RDE-221	Pressure Plate (1) w/Set Screws (2) (100-200 RPM)	163690	RDE-330-A	Control Handle Knob
163617	RDE-221-1	Pressure Plate (200-400 RPM)	163695	RDE-330-B	Set Screw
163590	RDE-222	Friction Disc	163696	RDE-330-C	Bolt & Nut
163592	RDE-223	Drive Sprocket (100-200 RPM)	161475	E-MRDC	Municipal Rod Drive Coupling
163595	RDE-223-1	Drive Sprocket (200-400 RPM)	160069	E-GCDC	Drive Coupling for "G" Cables
163615	RDE-223-1-A	Screw (2) (200-400 RPM)	161470	E-LCDC	Drive Coupling for "L" Cables
163616	RDE-223-1-B	Roll Pin (2) (200-400 RPM)	163410	TB-RDE	Tool Box
163600	RDE-224	Thrust Bearing Set			

RODRUNNER-MODEL E GASOLINE POWERED SCHEMATIC DIAGRAM



IMPORTANT: When ordering, give Serial Number of Machine.