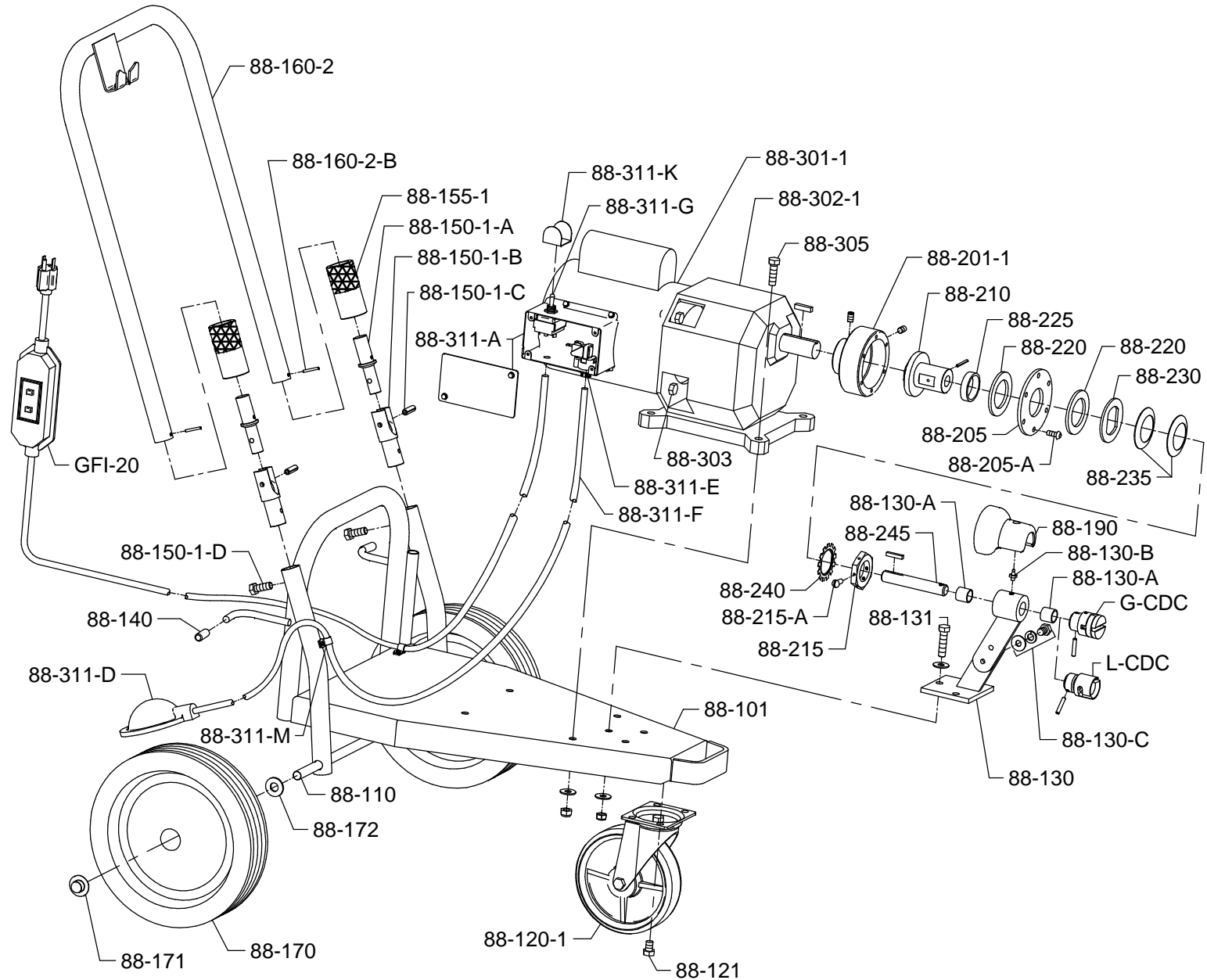


MODEL 88 PARTS LIST

ITEM NO.	CATALOG NO.	DESCRIPTION	ITEM NO.	CATALOG NO.	DESCRIPTION
170002	88-100	Frame Complete	170390	88-225	Spacer Bushing
170005	88-101	Frame Only	170393	88-230	Fixed Plate
170020	88-110	Axle	170395	88-235	Spring Washer (2)
170025	88-120	6" Caster	170405	88-240	Locking Washer
170032	88-121	Caster Bolts (4)	170455	88-245	Clutch Shaft 5/8" w/Key
170040	88-130	Front Bearing Post	170527	88-301-1	3/4 hp Motor (1725 RPM)
170045	88-130-A	Bushings (2)	170515	88-301-2	1 hp Motor (1725 RPM)
170047	88-130-B	Grease Fitting	170540	88-302-1	Gear Head Only (3.5 to 1)
170044	88-130-C	Post Adjusting Bolts, Flat Washers & Lock Washers (2)	170545	88-302-A	Gear Head Vent Cap
170048	88-131	Post Bolts, Nuts, & Washers (3)	170555	88-303	Motor Mounting Bolts (4)
170043	88-140	Rubber Cord Wrap Tips (2)	170560	88-305	Gear Head Mounting Bolts, Nuts & Washers (4)
170049	88-150-1	Handle Hinge Assembly	170581	88-311	Air Foot Switch & Reverse Switch Complete
170050	88-150-1-A	Hinge Top	170582	88-311-A	Box Only w/Cover & Screws
170060	88-150-1-B	Hinge Bottom	170583	88-311-B	Foot Pedal & Hose
170070	88-150-1-C	Hinge Roll Pins (2)	170584	88-311-C	Hose Clamp
170085	88-150-1-D	Handle Locking Sleeve Stop Screw	170585	88-311-D	Foot Pedal Only
170080	88-155-1	Handle Locking Sleeve	136080	88-311-E	Power Switch Diaphragm
170090	88-160-2	Handle w/Pedal Holder	170587	88-311-F	Air Hose Only (11 ft.)
170091	88-160-2-B	Handle Roll Pin	136130	88-311-G	Reverse Switch
170200	88-170	10" Wheel	170589	88-311-H	Rubber Boot (Rental Units Only)
170205	88-171	Hat Type Push Nuts (2)	170591	88-311-K	Switch Guard
170210	88-172	Spacer Washers (2)	170592	88-311-M	Cable Tie (2)
170230	88-190	Plastic Clutch Face Cover	156395	88-311-N	Strain Relief Nut
170350	88-200	Clutch Assembly	136000	GFI-20	20 ft. Power Cord w/GFCI
170357	88-201-1	Clutch Housing w/Set Screws	160060	G-CDC	Cable Drive Coupling w/"G" Connector for 5/8" Shaft
170360	88-205	Drive Plate	161321	L-CDC	Cable Drive Coupling w/"L" Connector for 5/8" Shaft
170362	88-205-A	Round Socket Head Bolts 1" x 1/4" (6)	160970	7/8 L-CDC	Cable Drive Coupling for 6L78 7/8" Cables
170370	88-210	Clutch Hub w/Roll Pin	132210	88-DECAL	Set of Safety Decals
170375	88-215	Adjustment Nut	132350	88-DVD	Instructional DVD
170380	88-215-A	Brass Slotted Head Screw 1/2" (2)			
170385	88-220	Friction Disc (2)			

MODEL 88 SCHEMATIC DIAGRAM



IMPORTANT: When ordering, give Serial Number of Machine.