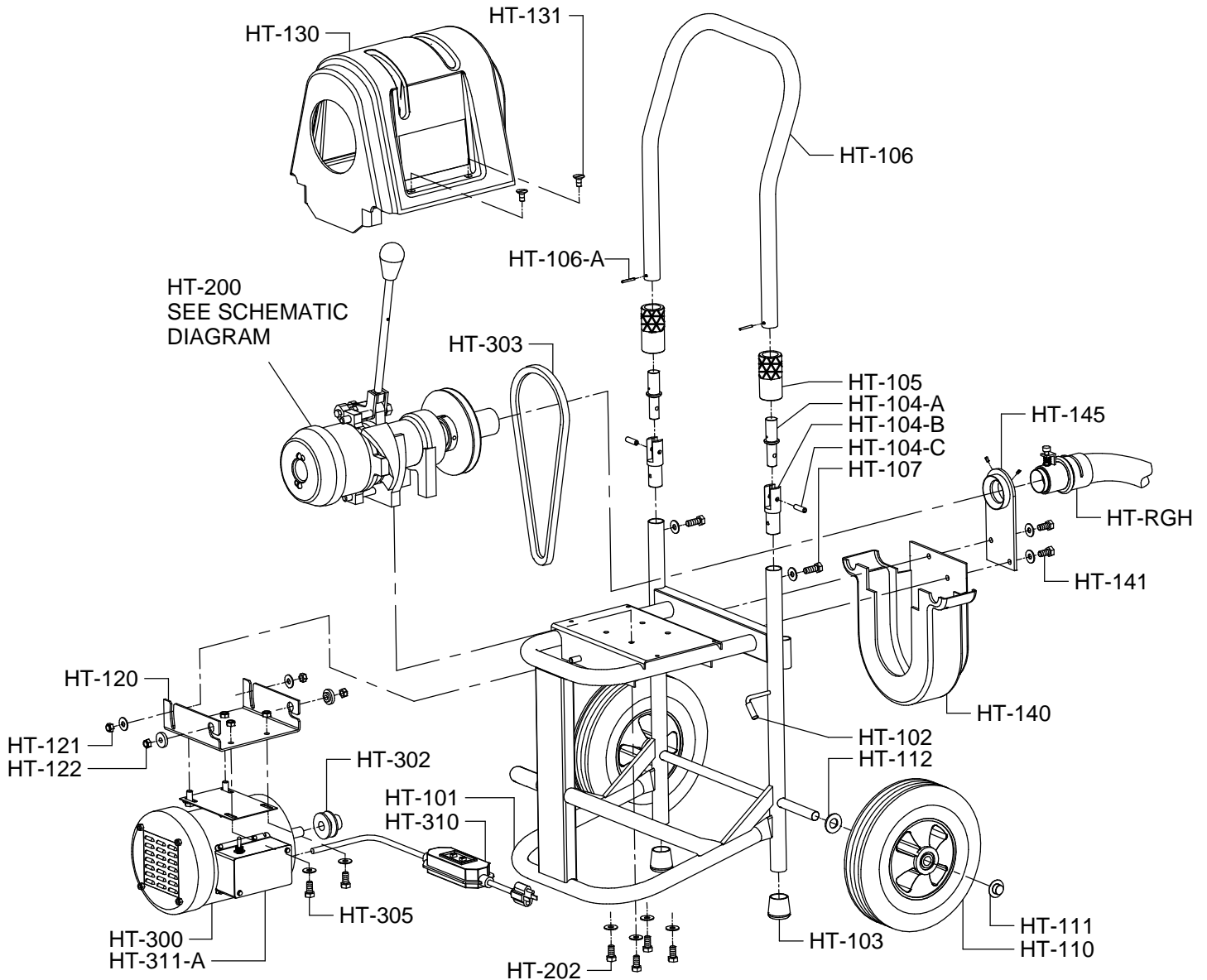
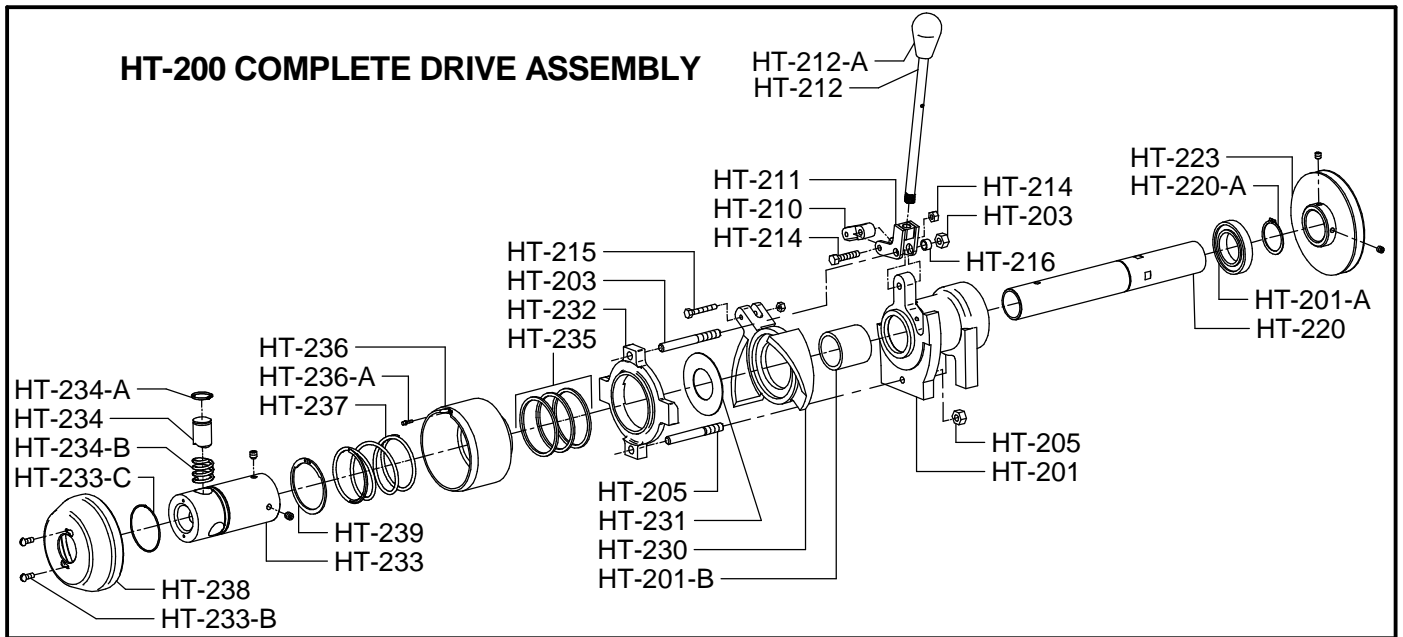


HOT-RODDER PARTS LIST

ITEM NO.	CATALOG NO.	DESCRIPTION
169600	HT-100	Complete Frame
169605	HT-101	Base w/Axle
169610	HT-102	Rubber Cord Wrap Tips (2)
169615	HT-103	Rubber Leg Tip (2)
169620	HT-104	Handle Hinge Assembly
169625	HT-104-A	Hinge Top
169630	HT-104-B	Hinge Bottom
169635	HT-104-C	Hinge Roll Pin (2)
169640	HT-105	Handle Locking Sleeve
169645	HT-106	Handle
169646	HT-106-A	Handle Roll Pin
169650	HT-107	Handle Bolts
169655	HT-110	10" Wheels
169660	HT-111	Hat-Type Push Nut (2)
169665	HT-112	Spacer Washers (2)
169670	HT-120	Motor Mounting Bracket
169675	HT-121	Motor Mount Nuts & Washers (2)
169680	HT-122	Motor Mount Nuts & Bushings (2)
169685	HT-130	Chuck Cover
169690	HT-131	Chuck Cover Screws (4)
169695	HT-140	V-Belt Cover
169700	HT-141	V-Belt Cover Mounting Screws/Washers (2)
169705	HT-145	Rear Spout Assembly
169710	HT-200	Chuck Assembly
169715	HT-201	Chuck Housing
169720	HT-201-A	Rear Ball Bearing
169725	HT-201-B	Front Bronze Bushing
169750	HT-202	Hex Head Bolts w/Washers (4)
169755	HT-203	Upper Guide Pin w/Nut
169760	HT-205	Lower Guide Pin w/Nut
169765	HT-210	Chuck Handle Link
169770	HT-211	Chuck Handle Yoke
169775	HT-212	Chuck Handle Rod w/Knob
169780	HT-212-A	Chuck Handle Knob

ITEM NO.	CATALOG NO.	DESCRIPTION
169785	HT-214	Bolt & Nut for Yoke
169790	HT-215	Bolt & Nut for Cam
169795	HT-216	Link Bushing
169800	HT-220	Chuck Shaft
169805	HT-220-A	Chuck Shaft Snap Ring
169810	HT-223	Chuck Pulley w/Set Screws
169815	HT-230	Chuck Cam
169820	HT-231	Steel Plate Spacer
169825	HT-232	Chuck Cam Follower
169830	HT-233	Chuck Body w/Screws
169835	HT-233-A	Chuck Body Set Screws (2)
169840	HT-233-B	Chuck Cone Round Head Screws (2)
169845	HT-233-C	Positioning Ring for Chuck Jaws
169850	HT-234	Chuck Jaws w/Rings (3) - for 1-1/4" Cables
169835	R-R10AD	Chuck Jaws w/Rings (3) - for 7/8" Cables
169855	HT-234-A	Chuck Jaw Rings (3)
169860	HT-234-B	Chuck Jaw Springs (3)
169865	HT-235	Chuck Bearings & Races
169870	HT-236	Chuck Cone
169875	HT-236-A	Jaw Retaining Cap Screw & (2) Washers
169880	HT-237	Chuck Cone Return Spring
169885	HT-238	Chuck Cone Cover
169890	HT-239	Spring Retention Ring
169895	HT-300	3/4 hp Motor Assembly
169905	HT-302	Motor Pulley
169910	HT-303	V-Belt (32")
169915	HT-305	Motor Mounting Bolts, Nuts, & Washers (4)
136000	GFI-20	20' Power Cord w/Ground Fault Circuit Interrupter
169925	HT-311	Reverse Switch Assembly
169930	HT-311-A	Box Only w/Cover & Screws
169935	HT-311-C	Strain Relief Strap
169940	HT-311-G	Reverse Switch
166400	HT-RGH	Rear Guide Hose
169945	HT-DECAL	Set of Safety Decals

HOT-RODDER SCHEMATIC DIAGRAM



IMPORTANT: When ordering, give Serial Number of Machine.