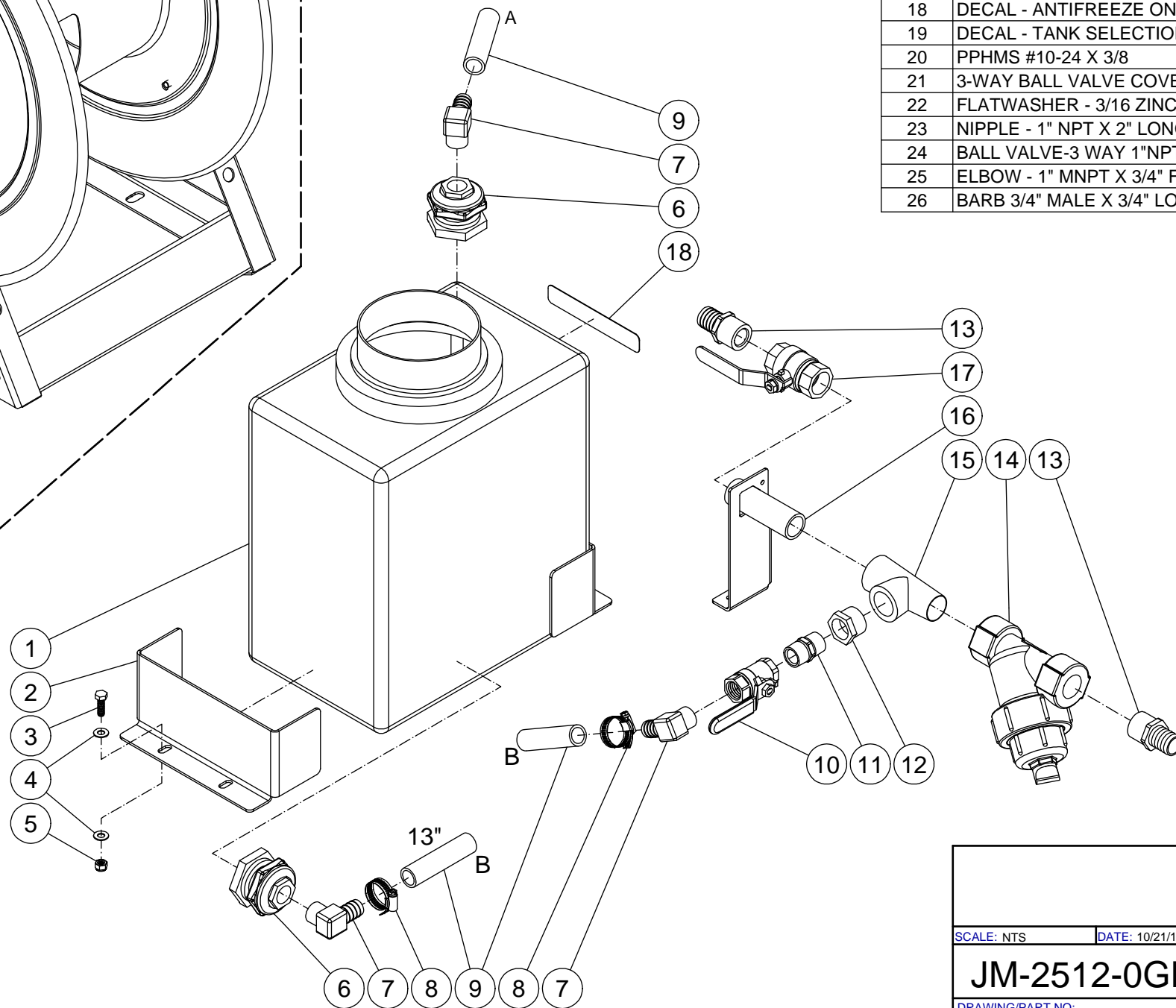
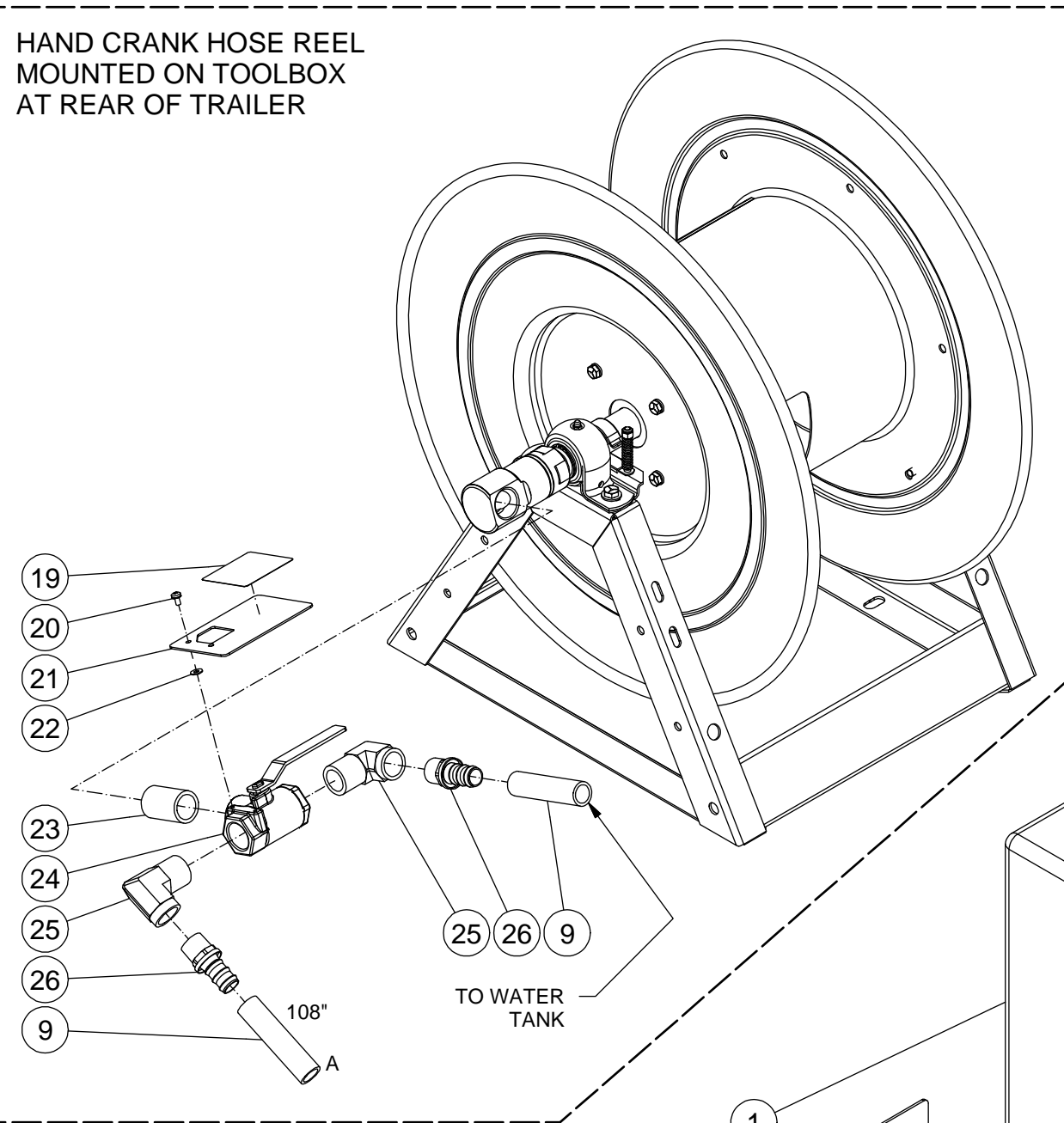


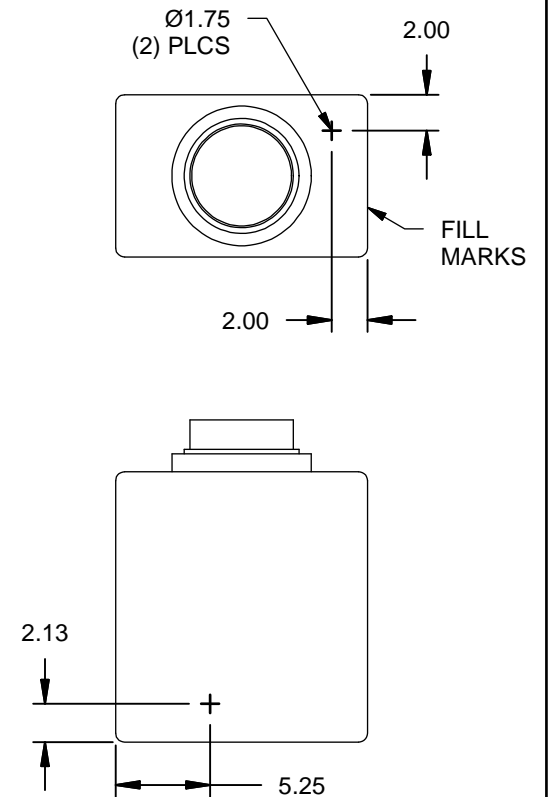
M:\Drawings\PRIVATE LABEL\GENERAL PIPE CLEANERS\JM-2512-0GH\JM-2512 - ANTIFREEZE PLUMBING.iam

NOTE: BOLTS (3), WASHERS (4), AND LOCKNUTS (5) ARE USED TO SECURE TANK BRACKETS TO TRAILER DECK

HAND CRANK HOSE REEL MOUNTED ON TOOLBOX AT REAR OF TRAILER



ITEM	DESCRIPTION	PART #	P/L	R/Q	QTY
1	TANK - 7 GALLON PLASTIC	12-0235			1
2	BRACKET - ANTIFREEZE TANK	20-1259A18			2
3	BOLT - HHCS - ZI GR5 5/16-18 x 1"	27-0067			4
4	WASHER-ZI SAE TYPE A 5/16"	28-0003			8
5	HEX NYLON LOCKNUT-ZINC 5/16-18	30-0157			4
6	BULKHEAD FITTING 3/4	55-0010			2
7	BARB - 3/4"MNPT X 3/4" BARB	23-0482			3
8	CLAMP WORM #20SS 3/4 - 1-1/2	42-0018			2
9	HOSE - 3/4" ID CLEAR REINFORCED	15-0304		???	1
10	BALL VALVE 3/4 - BRASS	22-0279			1
11	NIPPLE 3/4M X 3/4M HEX - BRASS	23-0026			1
12	REDUCER - 1"MNPT X 3/4"FNPT	23-0473			1
13	BARB 1MP X 1 HOSE - BRASS	23-0091		X	2
14	FILTER 1" WYE IN LINE 80 MESH	19-0247		X	1
15	TEE - 1" STREET GALVANIZED	24-0117			1
16	1" PIPE WELDMENT	20-0951A01		X	1
17	BALL VALVE 1"NPT BRASS STD	22-0344		X	1
18	DECAL - ANTIFREEZE ONLY	34-2648	N/A	X	1
19	DECAL - TANK SELECTION	34-2698	N/A	X	1
20	PPHMS #10-24 X 3/8	27-9533			2
21	3-WAY BALL VALVE COVER	20-1285A01			1
22	FLATWASHER - 3/16 ZINC	28-0001			2
23	NIPPLE - 1" NPT X 2" LONG	24-0324			1
24	BALL VALVE-3 WAY 1"NPT BRONZE	22-0321			1
25	ELBOW - 1" MNPT X 3/4" FNPT	24-0322			2
26	BARB 3/4" MALE X 3/4" LOCK - BRASS	23-0008			2



SCALE: NTS    DATE: 10/21/11    DRAWING SIZE: B    APPD:    DRAWN BY: CH

**JM-2512-0GH - ANTIFREEZE PLUMBING**

DRAWING/PART NO:  
JM-2512 - ANTIFREEZE PLUMBING

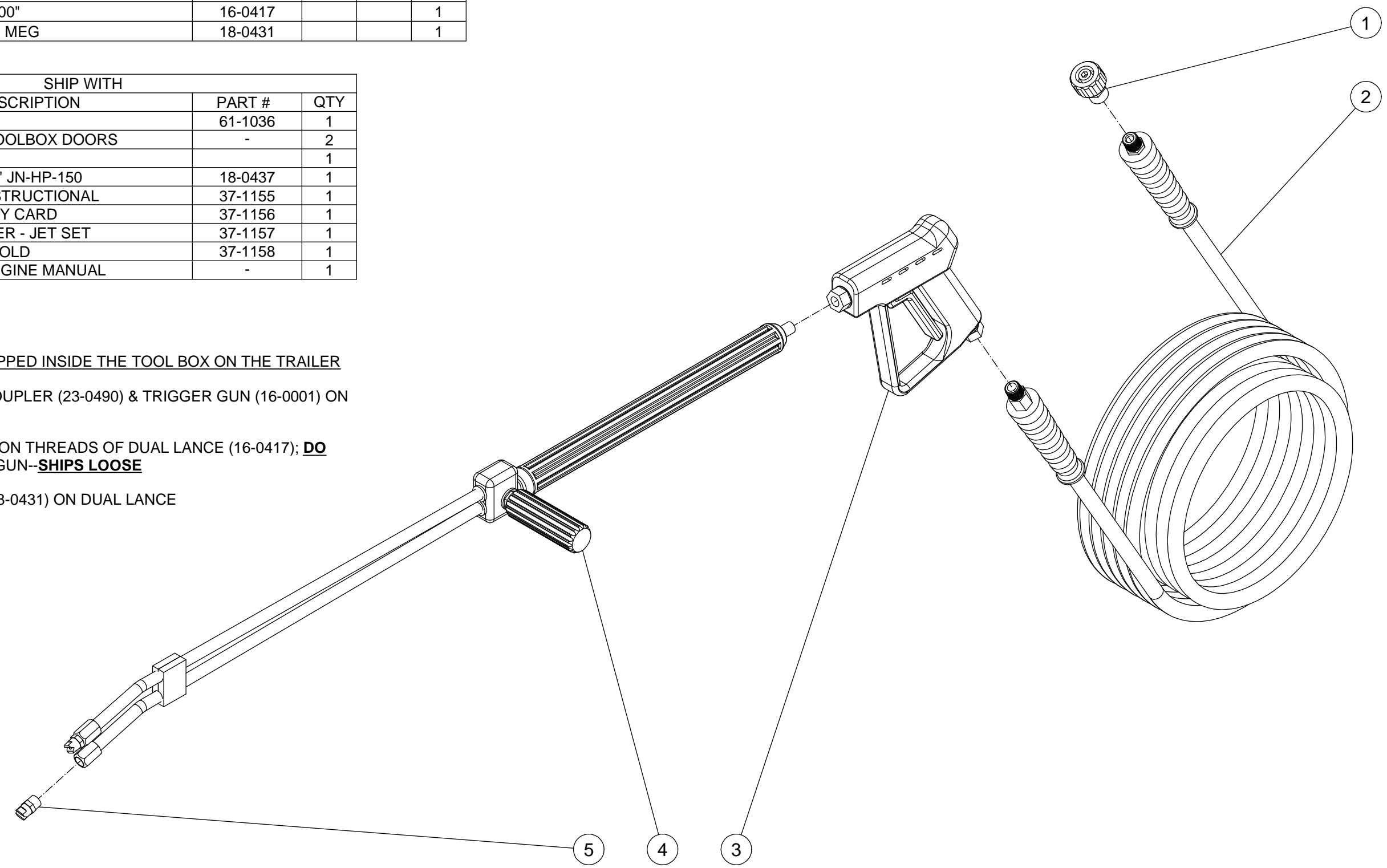
M:\Drawings\PRIVATE LABEL\GENERAL PIPE CLEANERS\JM-2512-0GHJM-2512 - GUN\_WAND\_HOSE ASSY.iam

ITEM	DESCRIPTION	PART #	P/L	R/Q	QTY
1	3/8" FNPT X M22 SCREW COUPLER	23-0490			1
2	HOSE - 3/8 X 50' 4500 PSI	15-0166			1
3	TRIGGER GUN 4000 PSI	16-0001			1
4	DUAL LANCE - 48.00"	16-0417			1
5	NOZZLE 2514 1/4" MEG	18-0431			1

SHIP WITH				
ITEM	DESCRIPTION	PART #	QTY	
-	JACK ROD	61-1036	1	
-	KEYS SET FOR TOOLBOX DOORS	-	2	
-	JM-2512 MANUAL		1	
-	NOZZLE SET - 1/2" JN-HP-150	18-0437	1	
-	DVD - JETTER INSTRUCTIONAL	37-1155	1	
-	WARRANTY REPLY CARD	37-1156	1	
-	CATALOG STUFFER - JET SET	37-1157	1	
-	WARRANTY TRI-FOLD	37-1158	1	
-	HONDA GX690 ENGINE MANUAL	-	1	

NOTES:

- ALL ITEMS ARE SHIPPED INSIDE THE TOOL BOX ON THE TRAILER
- INSTALL SCREW COUPLER (23-0490) & TRIGGER GUN (16-0001) ON HOSE ENDS
- PUT THREAD TAPE ON THREADS OF DUAL LANCE (16-0417); **DO NOT** INSTALL ONTO GUN--**SHIPS LOOSE**
- INSTALL NOZZLE (18-0431) ON DUAL LANCE

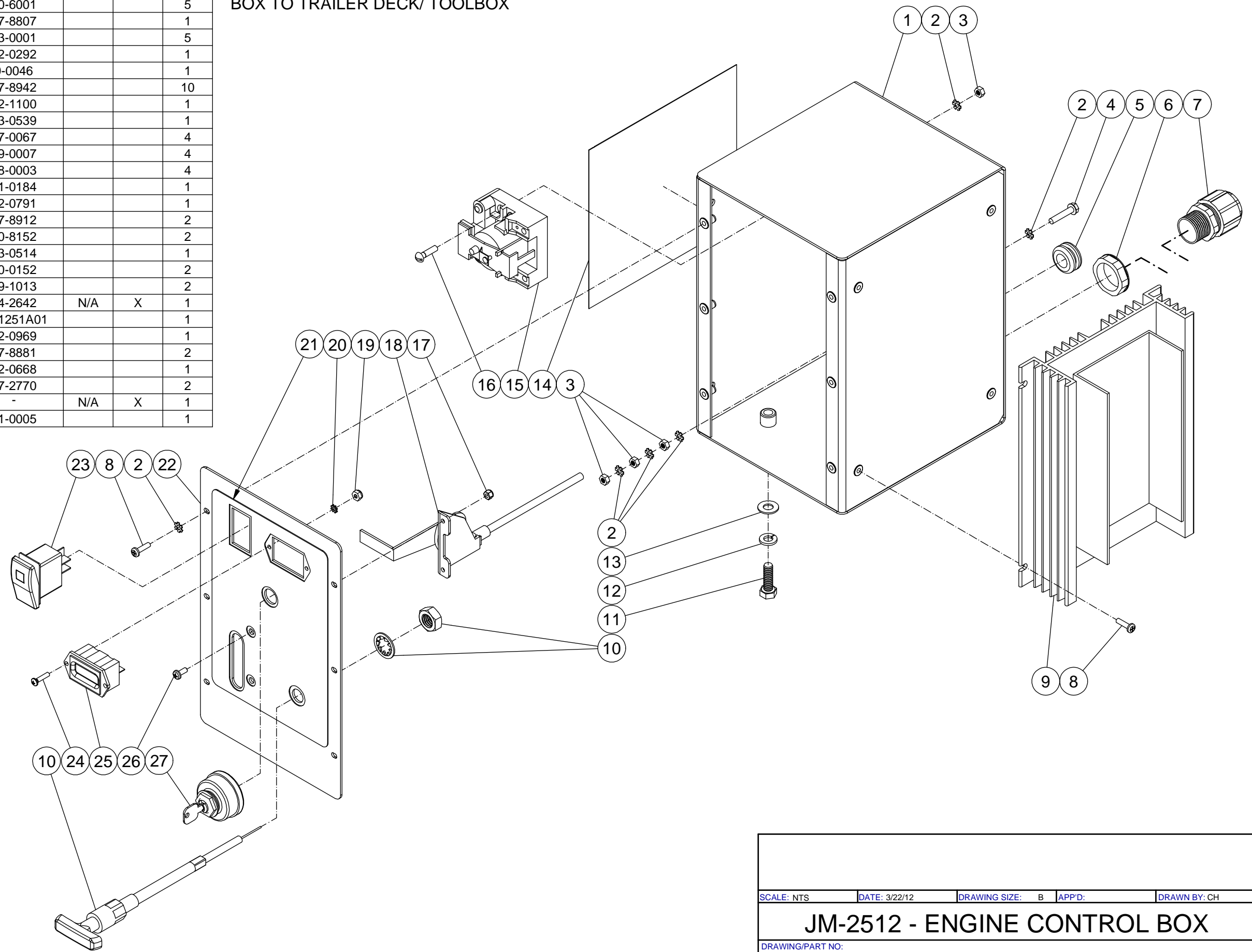


SCALE: NTS	DATE: 7/20/11	DRAWING SIZE: B	APPD:	DRAWN BY: CH
<b>JM-2512 - GUN/WAND/HOSE ASSY</b>				
DRAWING/PART NO: JM-2512 - GUN_WAND_HOSE ASSY				

M:\Drawings\PRIVATE LABEL\GENERAL PIPE CLEANERS\JM-2512-0GHJM-2512 - ENGINE CONTROL BOX.iam

ITEM	DESCRIPTION	PART #	P/L	R/Q	QTY
1	ENGINE CONTROL BOX	20-1250A01			1
2	EXTERNAL TOOTH LOCKWASHER	28-1009			12
3	HEX NUT - M5 X 0.8	30-6001			5
4	HHCS ZINC GR8.8 M5 - 0.80P x 25MM	27-8807			1
5	GROMMET 1/2 X 3/4 X 1/8	33-0001			5
6	LOCKNUT ELECT 3/4"	32-0292			1
7	CORD RELIEF - 3/4" NPT .750 CORD	9-0046			1
8	PPHMS - ZINC #8-32 X 5/8	27-8942			10
9	VARIABLE SPEED CONTROL - 12V DC	32-1100			1
10	THROTTLE CABLE - PUSH/PULL	33-0539			1
11	BOLT - HHCS - ZI GR5 5/16-18 x 1"	27-0067			4
12	LOCKWASHER-ZINC MED 5/16	29-0007			4
13	WASHER-ZI SAE TYPE A 5/16"	28-0003			4
14	ENVELOPE-ZIPLOCK/PLASTIC 6X6	41-0184			1
15	RELAY CONTROL 12 VDC	32-0791			1
16	PRHMS - #10-32 X 3/4 ZINC	27-8912			2
17	HEX NYLON LOCKNUT - SS M4 - .7P	30-8152			2
18	THROTTLE CONTROL	33-0514			1
19	HEX NYLON LOCKNUT-ZI #6-32	30-0152			2
20	EXTERNAL LOCKWASHER #6-32	29-1013			2
21	DECAL - ENGINE CONTROLS	34-2642	N/A	X	1
22	ENGINE CONTROL PANEL	20-1251A01			1
23	SWITCH - ROCKER W/ LAMP 12V	32-0969			1
24	PPHMS-BL OXIDE #6-32X3/4	27-8881			2
25	HOUR METER / DIGITAL	32-0668			1
26	PPHMS M4-0.7X16MM - SS	27-2770			2
27	KEY SWITCH (SEE ENGINE BREAKDOWN)	-	N/A	X	1
-	DECAL SET - JM-2512	71-0005			1

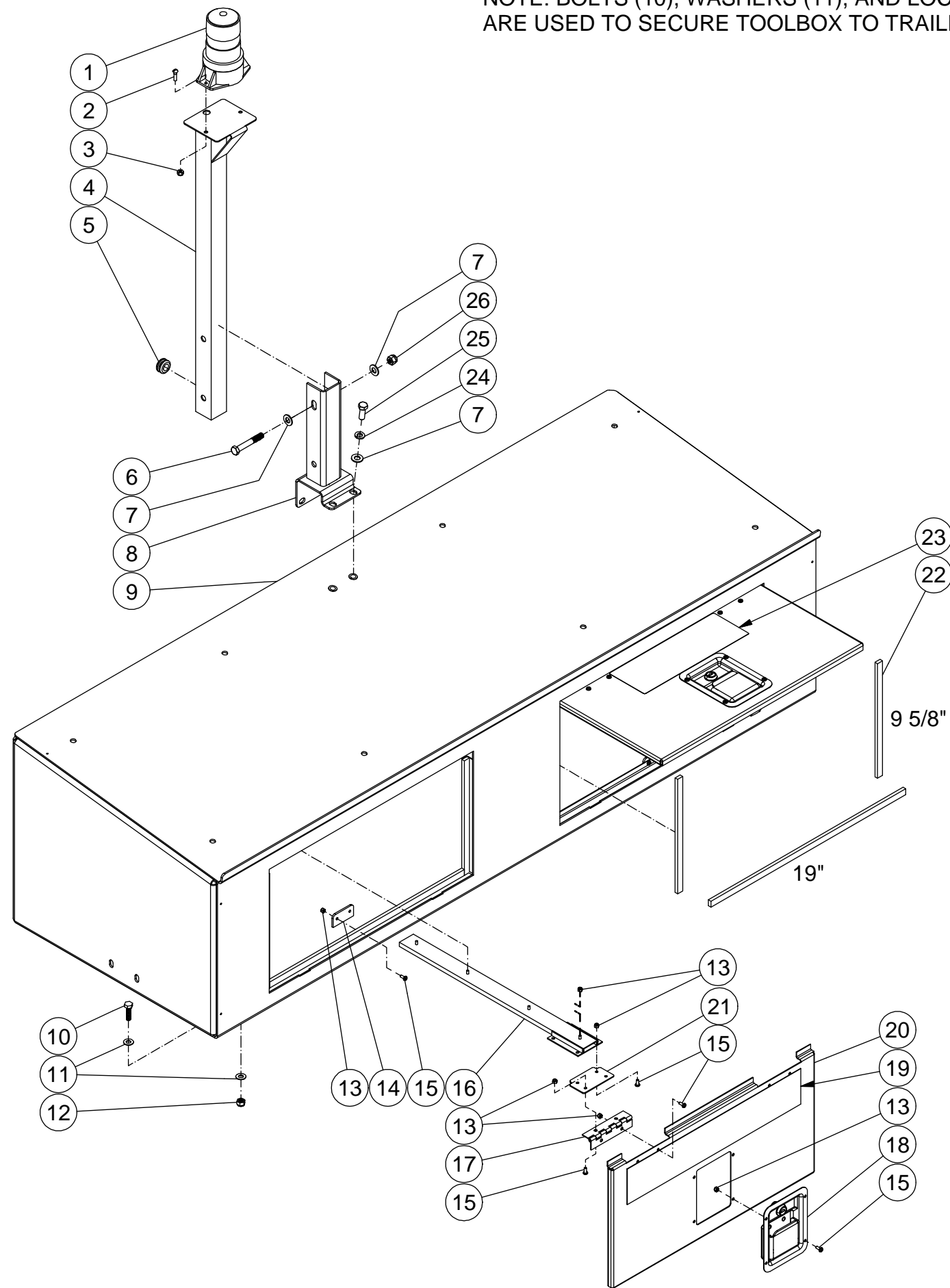
NOTE: BOLTS (11), LOCKWASHERS (12), AND WASHERS (13) ARE USED TO SECURE CONTROL BOX TO TRAILER DECK/ TOOLBOX



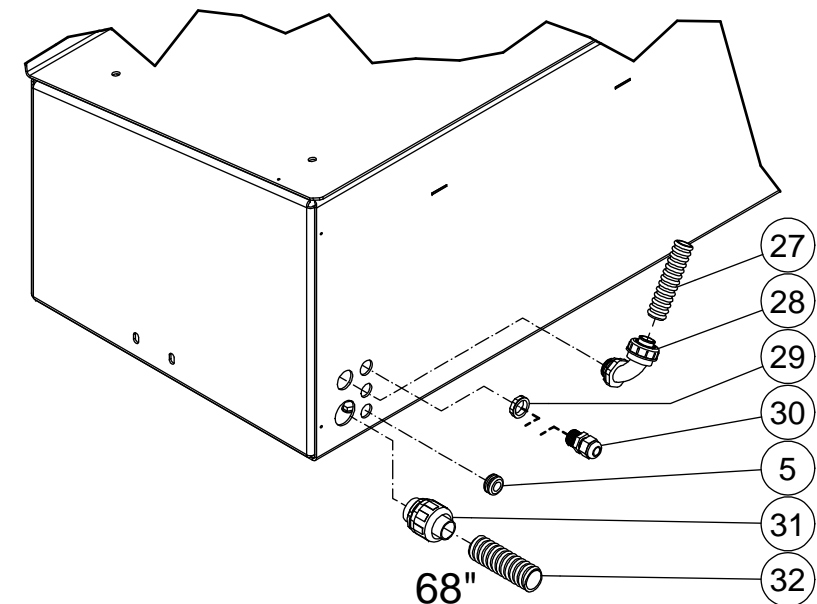
SCALE: NTS	DATE: 3/22/12	DRAWING SIZE: B	APPD:	DRAWN BY: CH
<b>JM-2512 - ENGINE CONTROL BOX</b>				
DRAWING/PART NO: JM-2512 - ENGINE CONTROL BOX				

M:\Drawings\PRIVATE LABEL\GENERAL PIPE CLEANERS\JM-2512-0GH\JM-2512 - TOOLBOX ASSY.iam

NOTE: BOLTS (10), WASHERS (11), AND LOCKNUTS (12) ARE USED TO SECURE TOOLBOX TO TRAILER DECK



ITEM	DESCRIPTION	PART #	P/L	R/Q	QTY
1	STROBE LIGHT	32-1085			1
2	PRHMS - #10-32 X 3/4 ZINC	27-8912			2
3	HEX NYLON LOCKNUT-ZINC #10-32	30-0136			2
4	LIGHT POST	20-1243A64			1
5	GROMMET 1/2 X 3/4 X 1/8	33-0001			3
6	BOLT - HHCS - ZI GR5 3/8-16 x 2-1/2"	27-0123			2
7	WASHER - ZI SAE 3/8"	28-0004			8
8	LIGHT POST MOUNT	20-1242A64			1
9	TOOLBOX - JETTER TRAILER	20-1262A64			1
10	BOLT - HHCS - ZI GR5 5/16-18 X 1-1/4"	27-0068			6
11	WASHER-ZI SAE TYPE A 5/16"	28-0003			12
12	HEX NYLON LOCKNUT-ZINC 5/16-18	30-0157			6
13	HEX NYLON LOCKNUT - SS M4 - .7P	30-8152			52
14	STRIKER PLATE	20-1245A01			2
15	PPHMS M4-0.7X16MM - SS	27-2770			36
16	SLIDE - LINEAR MOTION	33-0515			4
17	HINGE - 1 1/2" X 4" SS	43-0105			4
18	PADDLE LATCH - SS/ LOCKING	33-0516			2
19	DECAL - JM-2512 TOOLBOX DOOR	34-2639	N/A	X	1
20	DOOR	20-1244A64			2
21	DOOR HINGE MOUNT	20-1246A01			4
22	WEATHERSTRIP - ADHESIVE BACK	26-0378		76.5"	1
23	DECAL - WARNING/OPERATION SEWER JETTER	34-2624	N/A	X	1
24	LOCKWASHER - ZI MED 3/8	29-0008			4
25	BOLT - HHCS 3/8-16 X 1	27-0117			4
26	HEX NYLON LOCKNUT - ZI 3/8-16	30-0159			2
27	CONDUIT 3/4" BLACK	32-0486		???	1
28	CONDUIT 90 ELBOW 3/4"	32-0487			1
29	LOCKNUT 1/2" ELECTRICAL	32-0108			1
30	STRAIN RELIEF	32-0437			1
31	CONDUIT FITTING 1" BLACK	32-0996			1
32	CONDUIT FLEX 1" BLACK	32-0908		68"	1



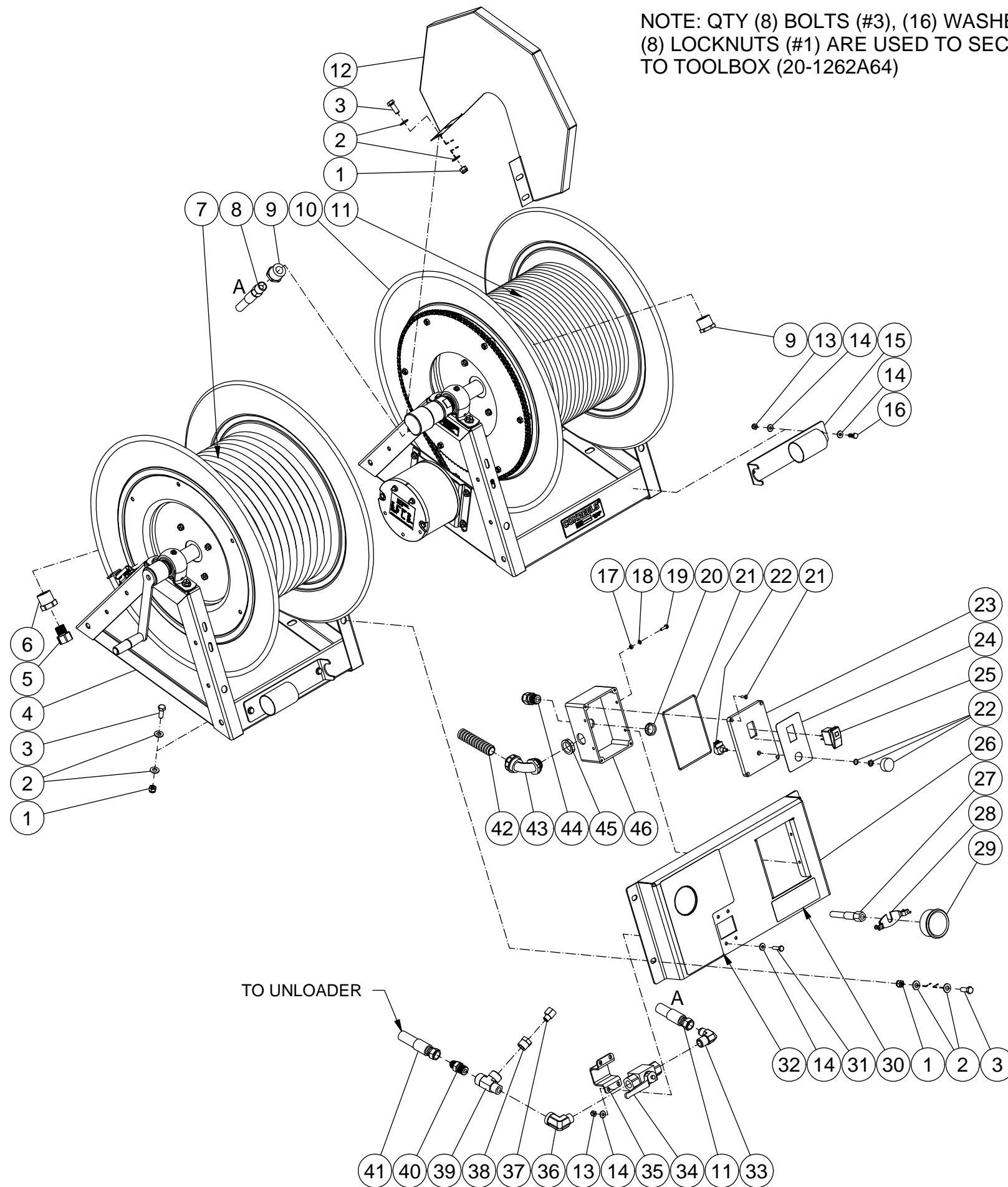
SCALE: NTS    DATE: 1/5/12    DRAWING SIZE: B    APPD:    DRAWN BY: CH

## JM-2512-0GH - TOOLBOX ASSY

DRAWING/PART NO:  
JM-2512 - TOOLBOX ASSY

M:\Drawings\PRIVATE LABEL\GENERAL PIPE CLEANERS\JM-2512-0GHJM-2512 - HOSE REELS ASSY .iam

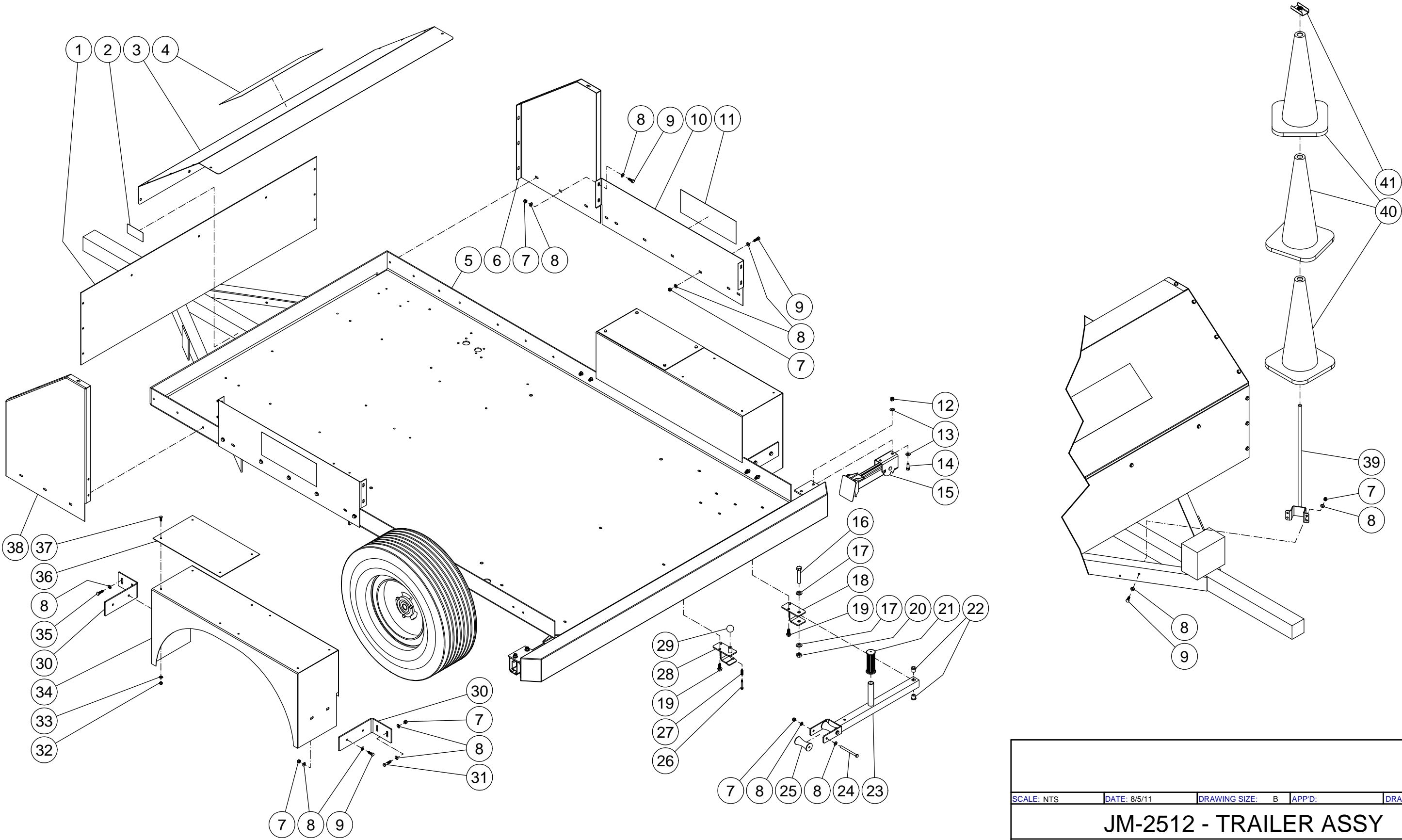
NOTE: QTY (8) BOLTS (#3), (16) WASHERS (#2), AND (8) LOCKNUTS (#1) ARE USED TO SECURE HOSE REELS TO TOOLBOX (20-1262A64)



ITEM	DESCRIPTION	PART #	P/L	R/Q	QTY
1	HEX NYLON LOCKNUT - ZI 3/8-16	30-0159			14
2	WASHER - ZI SAE 3/8"	28-0004			28
3	BOLT - HHCS 3/8-16 X 1	27-0117			14
4	HOSE REEL - HAND CRANK	50-0193			1
5	SWIVEL - 1/2M X 3/4F GARDEN HOSE	23-0095			1
6	REDUCER - BRASS - 1"M x 1/2"F	23-0226			1
7	HOSE - 3/4" GARDEN 150'	15-0316			1
8	HOSE 1/2" X 24"	15-0263			1
9	REDUCER - 1"M X 1/2"F	24-0303			2
10	HOSE REEL - ELECTRIC	50-0194			1
11	HP HOSE - 1/2" X 400'	15-0322			1
12	GEAR GUARD	50-0197A18			1
13	HEX NYLON LOCKNUT-ZINC 1/4-20	30-0155			8
14	WASHER-ZI SAE TYPE A 1/4"	28-0002			16
15	HOSE RETAINER	20-1240A64			2
16	HHCS-ZI GR5 1/4-20 X 3/4"	27-0015			4
17	HEX NUT - M5 X 0.8	30-6001			4
18	EXTERNAL TOOTH LOCKWASHER	28-1009			4
19	HHCS - GR8.8 M5-0.8P X 16MM BLACK	27-9526			4
20	LOCKNUT 1/2" ELECTRICAL	32-0108			1
21	HARDWARE KIT	70-0197			1
22	VARIABLE SPEED CONTROL	32-1100			1
23	CONTROL BOX LID	20-1256A01			1
24	DECAL - VARIABLE SPEED CONTROLS	34-2650	N/A	X	1
25	SWITCH - ROCKER W/ LAMP 12V	32-0969			1
26	HOSE REEL CONTROL PANEL	20-1241A64			1
27	HP HOSE - 1/4" ID X 1/4MS X 1/4F X 13.25"	15-0309			1
28	U-CLAMP - GAUGE MOUNT	13-0211			1
29	GAUGE - 0-5000PSI 2 1/2"DIA BACK MOUNT	22-0465			1
30	DECAL - GENERAL JET-SET TYPHOON	34-2651	N/A	X	1
31	HHCS - ZI GR5 1/4-20X1	27-0016			4
32	DECAL - HOSE REEL CONTROL PANEL	34-2644	N/A	X	1
33	ELBOW 1/2M X #8JIC MALE	24-0074			1
34	BALL VALVE - 1/2" FNPT 7350PSI	22-0463			1
35	BALL VALVE HOLDER	20-1254A01			1
36	ELBOW 1/2MPX1/2FP 90 STEEL FORGE	24-0006			1
37	ELBOW 1/4"FPX1/4MPT 90 BRASS	23-0014			1
38	REDUCER 1/2MP X 1/4 FP HEX - STEEL	24-0053			1
39	STREET TEE-1/2NPT STEEL FORGED	24-0242			1
40	NIPPLE 1/2MP X #8JIC HEX	24-0054			1
41	HOSE 1/2" X 9'	15-0314			1
42	CONDUIT 3/4" BLACK	32-0486		???	1
43	CONDUIT 90 ELBOW 3/4"	32-0487			1
44	STRAIN RELIEF	32-0437			1
45	LOCKNUT ELECT 3/4"	32-0292			1
46	CONTROL BOX	20-1255A01			1

SCALE: NTS	DATE: 1/5/12	DRAWING SIZE: B	APPD:	DRAWN BY: CH
<b>JM-2512 - HOSE REELS ASSY</b>				
DRAWING/PART NO: JM-2512 - HOSE REELS ASSY				

NOTE: PLACE TRAILER SPEC STICKERS & SILVER STICKER ON DRIVER'S SIDE OF TONGUE; BETWEEN FRONT OF DECK AND TONGUE BRACES

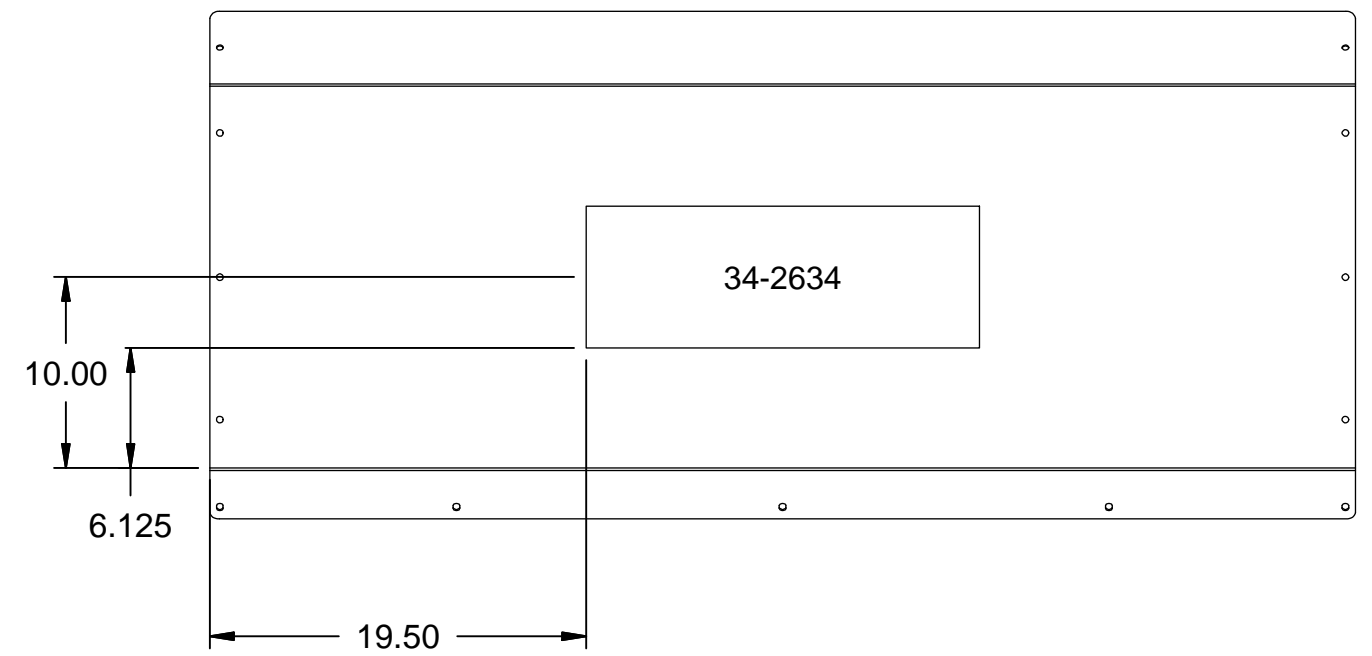


M:\Drawings\PRIVATE LABEL\GENERAL PIPE CLEANERS\JM-2512-0GHJM-2512 - TRAILER ASSY.iam

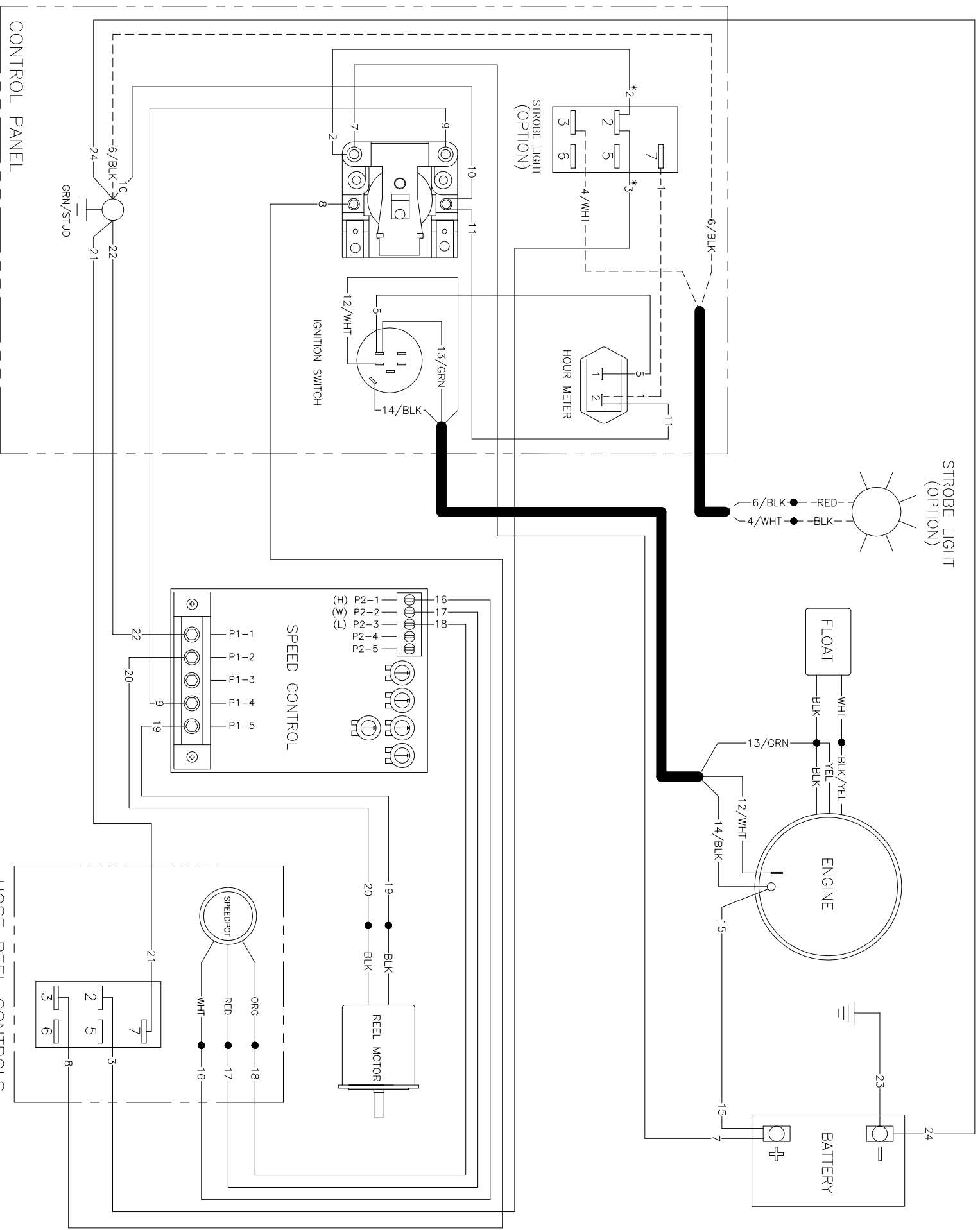
SCALE: NTS	DATE: 8/5/11	DRAWING SIZE: B	APPD:	DRAWN BY: CH
<b>JM-2512 - TRAILER ASSY</b>				
DRAWING/PART NO: JM-2512 - TRAILER ASSY				

M:\Drawings\PRIVATE LABEL\GENERAL PIPE CLEANERS\JM-2512-0GH\JM-2512 - TRAILER ASSY.iam

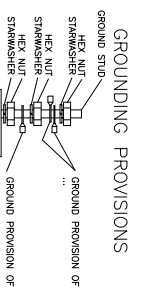
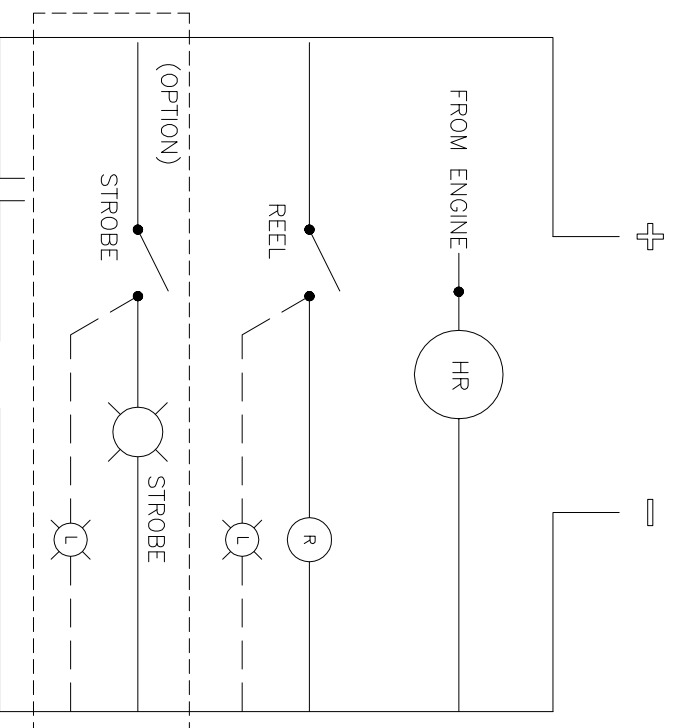
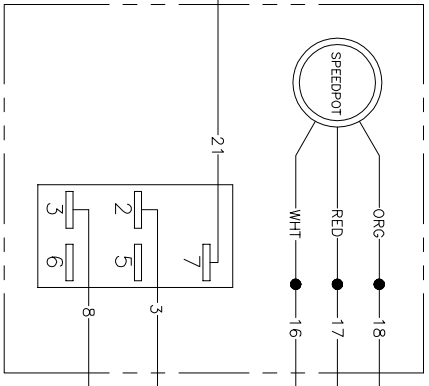
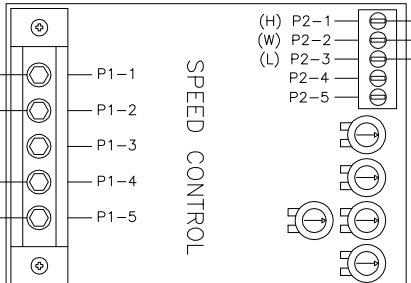
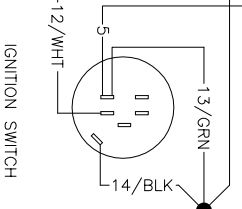
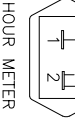
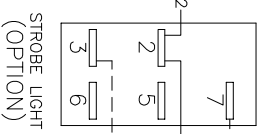
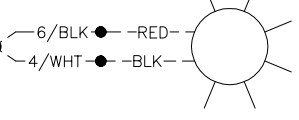
ITEM	DESCRIPTION	PART #	P/L	R/Q	QTY
1	FRONT COVER - TRAILER	56-0071			1
2	DECAL - SILVER STICKER	34-0075	N/A		1
3	FRONT PANEL - TRAILER	20-1236A64		X	1
4	DECAL - JM-2512 FRONT PANEL	34-2634		X	1
5	SINGLE AXLE W/ELECTRIC BRAKES	61-0013			1
6	RIGHT SUPPORT PANEL	20-1238A64			1
7	HEX NYLON LOCKNUT-ZINC 5/16-18	30-0157			55
8	WASHER-ZI SAE TYPE A 5/16"	28-0003			110
9	BOLT - HHCS - ZI GR5 5/16-18 x 1"	27-0067			45
10	MIDDLE PANEL - TRAILER	20-1239A64			2
11	DECAL - JM-2512 SIDE PANEL	34-2633		X	2
12	HEX NYLON LOCKNUT - ZI 3/8-16	30-0159			4
13	WASHER - ZI SAE 3/8"	28-0004			8
14	BOLT - HHCS 3/8-16 X 1	27-0117			4
15	STABILIZER ARM	61-1035			2
16	HHCS-ZI GR5 1/2-13 X 3	27-0227			1
17	WASHER - ZI SAE TYPE A 1/2	28-0006			2
18	HOSE GUIDE MOUNT	20-1248A01			1
19	HWHCS - ZI 3/8-16 X 1	27-9530			4
20	HEX NYLON LOCKNUT-ZINC 1/2-13	30-0163			1
21	HANDLE GRIP	7-0167			1
22	SLEAVE BEARING - 1/2" ID	33-0518			2
23	HOSE GUIDE	20-1247A01			1
24	HHCS-ZI GR5 5/16-18 x 4"	27-0079			2
25	HOSE GUIDE ROLLER	51-0043			2
26	SHOULDER SCREW-#10-24 X 1/4" X 1.625" LONG	27-0895			1
27	SPRING 1" LONG X 5/16" O.D. ZINC PLATED	49-0165			1
28	HOSE GUIDE CATCH	20-1249A01			1
29	KNOB-1.25" DIA. X 10"-24 STEEL INSERT	7-0223			1
30	FENDER BRACKET	20-1064A01			4
31	HHCS-ZI GR5 5/16-18 X 1-1/2	27-0069			4
32	HEX NYLON LOCKNUT-ZINC 1/4-20	30-0155			8
33	WASHER-ZI SAE TYPE A 1/4"	28-0002			8
34	TRAILER FENDER	20-1155A18			2
35	BOLT - HHCS - ZI GR5 5/16-18 X 1-1/4"	27-0068			4
36	FENDER STEP	56-0066			2
37	HHCS-ZI GR5 1/4-20 X 3/4"	27-0015			8
38	LEFT SUPPORT PANEL	20-1237A64			1
39	SAFETY CONE HOLDER	20-1257A01			1
40	SAFETY CONE	61-1034			3
41	HANDLE NUT - 5/8"	20-1258A01			1



SCALE: NTS	DATE: 8/5/11	DRAWING SIZE: B	APPD:	DRAWN BY: CH
<b>JM-2512 - TRAILER ASSY</b>				
DRAWING/PART NO: JM-2512 - TRAILER ASSY				

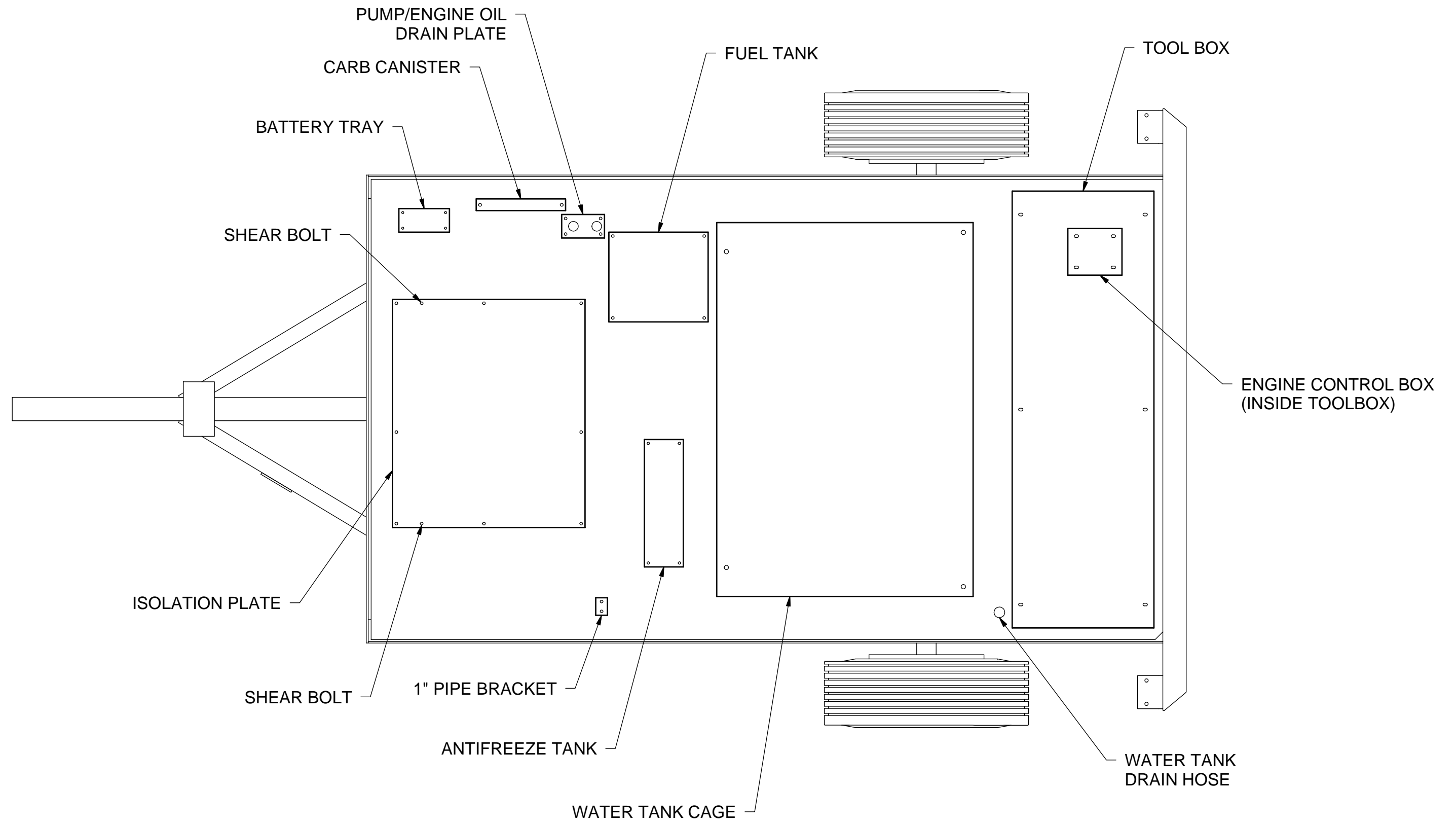


STROBE LIGHT (OPTION)





M:\Drawings\Part Numbers\61\61-0013.iam



SCALE: NTS	DATE: 3/22/12	DRAWING SIZE: B	APPD:	DRAWN BY: CH
<b>JM-2512-0GH TRAILER HOLE LOCATIONS</b>				
DRAWING/PART NO: 61-0013				

ITEM	DESCRIPTION	VENDOR #	Mi-T-M #	P/L	QTY
1	VALVE CAP	66130041	46-1222		6
2	BACK UP RING - O.D. 29 X I.D. 24.5 X 1.5mm	90516500	25-0592		6
3	O-RING .937 x .103	90385700	25-0139		6
4	VALVE ASSEMBLY	36722701	-	N/A	6
5	MANIFOLD - BRASS - 24mm	66120241	46-1508		1
6	O-RING 7/16 X 9/16	90358500	25-0014		4
7	PLUG- 1/4" X 13	98204300	39-0222		3
8	LOCKWASHER M10 SERR CURVE	96710400	29-0155		8
9	BOLT - HHCS M10-1.5P x 90mm	99380100	27-9595		8
10	GASKET - ALUMINUM 3/4"	96770000	28-1051		1
11	PLUG- 3/4" X 16	98226500	39-0221		1
12	WASHER - ALUM - O.D. 22 X I.D. 17.2 X 1.5mm	12401900	28-1002		1
13	PLUG/HEX - BRASS 3/8-19 BSPP-F	98210000	39-0018		2
14	HIGH PRESSURE SEAL ASSEMBLY	90274100	-	N/A	3
15	HIGH PRESSURE INTERMEDIATE RING - 24mm	66216470	-	N/A	3
16	LOW PRESSURE SEAL ASSEMBLY	90273800	-	N/A	3
17	O-RING - 34.65 X 1.78mm	90361600	25-0015		3
18	LOW PRESSURE SEAL RETAINER	66080470	-	N/A	3
19	OIL SEAL - 22 X 32 X 5.5	90162500	26-0047		3
20	BUSHING/BEARING - 22 X 25 X 30mm	90912600	9-0029		3
21	O-RING 9/16 X 3/4	90383300	25-0052		1
22	OIL SEAL - 30 X 55 X 7	90164800	26-0049		1
23	HSHCS - M8-1.25P X 16MM	99303900	27-8431		4
24	COVER/CRANKCASE OPEN	66150022	46-1217		1
25	O-RING - 67.95 X 2.62mm	701147	25-0590		2
26	BEARING - ROLLER - SKF - 2206EC	91838000	48-0085		2
27	KEY - 8 X 7 X 35mm	91489200	46-0602		1
28	CRANKSHAFT 21MM STROKE	66020435	46-1210		1
29	PLUG/HEX - BRASS G1/4	98204100	39-0017		1
30	SIGHT GLASS	63210051	46-1163		1
31	O-RING 1-1/16 X 1-5/16	90405100	25-0059		1
32	BOLT - HSHCS M6-1.0P X 20mm	99188400	27-8812		4
33	COVER/CRANKCASE	66160000	46-1212		1
34	O-RING - 133.02 X 2.62mm	90392200	25-0339		1
35	HSHCS - M8 - 1.25P x 35mm	99309900	27-8435		6
36	LOCKWASHER - M8	96701400	29-1014		6
37	CONNECTING ROD - ID 40 X W 29.70 MM	66030001	46-1211		3
38	PIN/CONNECTING ROD - Ø14 X 36mm	97740500	43-0118		3
39	PISTON ROD	66050064	46-1213		3
40	SLINGER WASHER OD 28 X ID 10 X .5MM	96710100	46-1214		3
41	PLUNGER - CERAMIC - 24mm	66040409	46-1509		3
42	O-RING .426 X .070	701013	25-0310		3
43	BOLT/PISTON - M7 X 1.0P X 14MM	66219566	46-1216		3
44	OIL DIP STICK	98210600	46-0144		1
45	CRANKCASE	66010022	46-1209		1
46	COVER/CRANKCASE SIGHTGLASS	66150122	46-1208		1
47	O-RING 55.56 X 3.53MM	90409700	25-0060		1
48	OIL LEVEL INDICATOR/SPACER	44211801	46-0574		1
49	SIGHTGLASS COVER	66150274	46-1207		1
50	HSHCS - ZI GR8.8 M8-1.25P x 25mm	99306900	27-8433		4

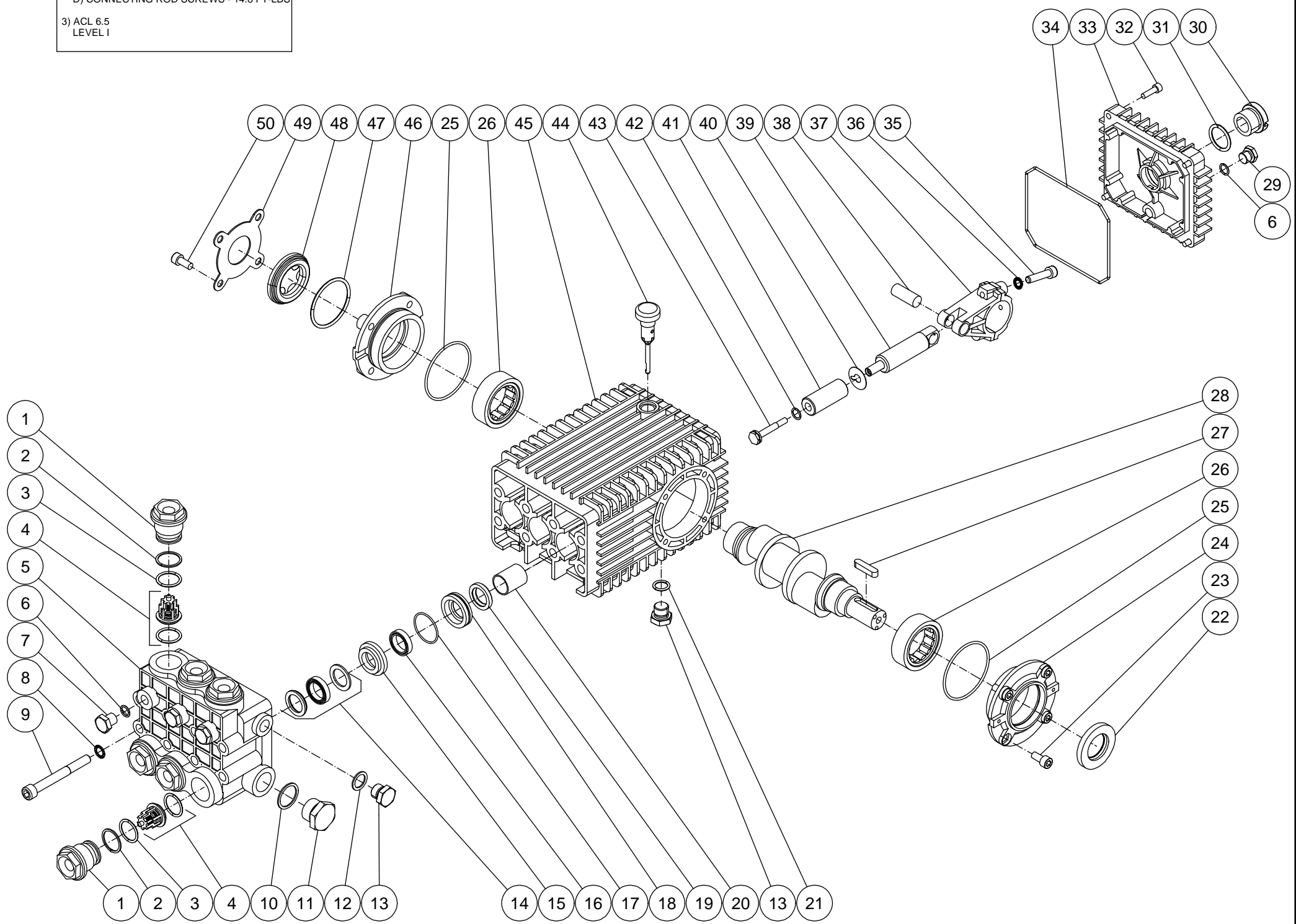
Q/C INSPECTION

1) VISUAL INSPECTION  
A) FREIGHT DAMAGE  
B) OIL LEAKS: ANY SIGN OF OIL IN BOX  
C) OIL LEVEL: 1/2 SIGHT GLASS  
D) RIGHT-HAND (RH) PUMP

2) CHECK THESE TORQUES:  
A) HEAD BOLTS - 33.2 FT-LBS  
B) VALVE CAPS - 95.9 FT-LBS  
C) PLUNGER RETAINER - 14.8 FT-LBS  
D) CONNECTING ROD SCREWS - 14.8 FT-LBS

3) ACL 6.5 LEVEL I


Mi-T-M #	VENDOR #	BORE	STROKE	MAX RPM	MAX GPM	MAX PSI	OIL	INLET	OUTLET	SHAFT DIA.
3-0372	TSF2421	24mm	21mm	1750	12.0	2500	40.6 oz	3/4"-14 BSP-F	3/8"-19 BSP-F	24mm



TORQUE SPECS.	
POSITION	FT-LBS
1	95.9
7	29.5
9	33.2
11	51.6
13	29.5
23	14.8
29	14.8
32	7.4
35	14.8
43	14.8
50	14.8

\*\* USE LOC-TITE 542

GENERAL KIT#	K02	K169	K181	K182
Mi-T-M KIT#	70-0432	70-0439	70-0607	70-0608
DESCRIPTION	OIL SEAL KIT	VALVE KIT	LOW/HIGH PRESSURE SEALS	PACKING KIT
ITEMS	19	4	14, 16	14-18
# OF ASSEMBLIES	3	6	3	1
# OF CYLINDERS	3	3	3	1



Mi-T-M CORPORATION • PEOSTA, IA 52068

SCALE: NTS	DATE: 8/29/12	DRAWING SIZE: B	APPD:	DRAWN BY: RSW
PUMP - TSF2421				
DRAWING/PART NO: 3-0372				

M:\Drawings\Part Numbers\03-0372.iam

**BATTERY CABLES - 32-0065**

POSITIVE: 30"

(1) 32-0097

(1) 32-0744

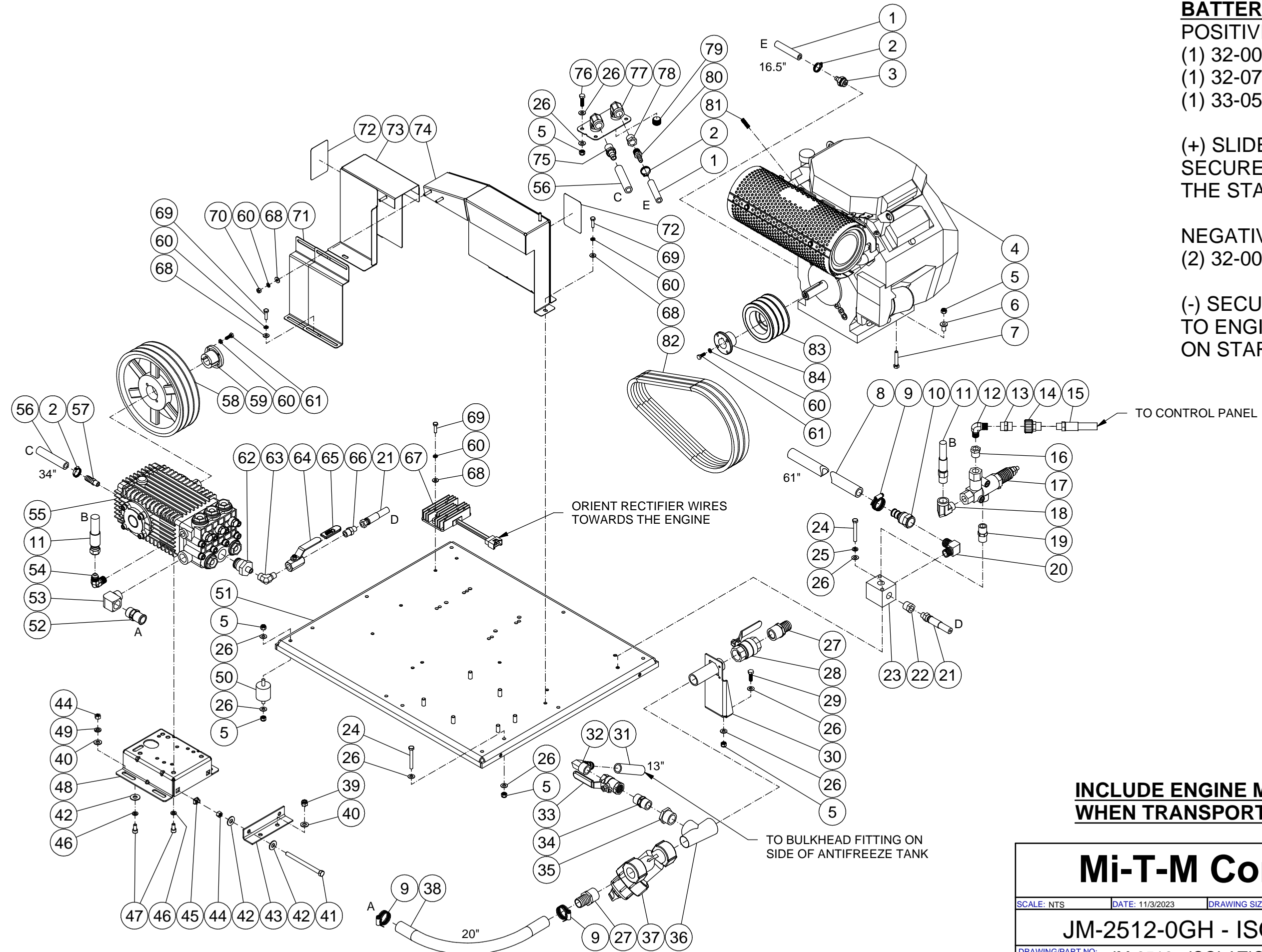
(1) 33-0508

(+) SLIDE 33-0508 ONTO CABLE  
SECURE 32-0097 TERMINAL TO  
THE STARTER TERMINAL

NEGATIVE: 28"

(2) 32-0097

(-) SECURE 32-0097 TERMINAL  
TO ENGINE MOUNTING BOLT  
ON STARTER SIDE.



**INCLUDE ENGINE MANUAL ON PLATE  
WHEN TRANSPORTING TO P BUILDING**

**Mi-T-M Corporation**

SCALE: NTS    DATE: 11/3/2023    DRAWING SIZE: B    APPD:    DRAWN BY: ADR

**JM-2512-0GH - ISOLATION PLATE**

DRAWING/PART NO: JM-2512 - ISOLATION PLATE

M:\Drawings\PRIVATE LABEL\GENERAL PIPE CLEANERS\JM-2512-0GH\JM-2512-ISOLATION PLATE.iam

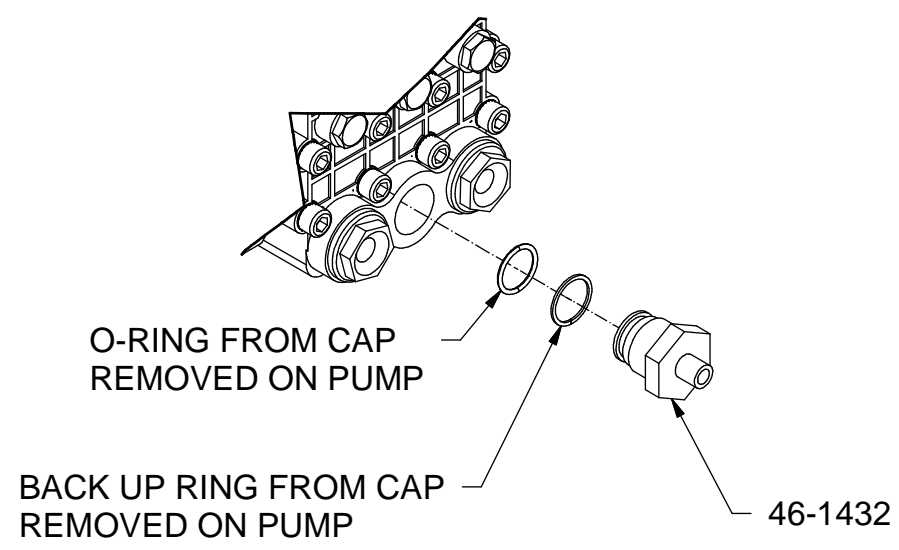
ITEM	PART #	DESCRIPTION	P/L	R/Q	QTY	ITEM	PART #	DESCRIPTION	P/L	R/Q	QTY
1	15-0020	HOSE 3/8" FUEL LINE		1.375'	1	61	27-0015	HHCS-ZI GR5 1/4-20 X 3/4"		X	4
2	42-0011	SS WORM CLAMP 3/8"-1"			3	62	46-1432	VALVE CAP/JETTER/66 SERIES			1
3	23-0502	BARB - 20MM-1.5 X 3/8" HOSE			1	63	24-0004	ELBOW - 3/8 MNPT X 1/4 FNPT			1
4	851-0393	ENGINE - HONDA GX690			1	64	22-0494	BALL VALVE - 3/8 FNPT X 3/8 FNPT CS			1
5	30-0157	HEX NYLON LOCKNUT-ZINC 5/16-18			28	65	7-0227	HANDLE GRIP - VIBRA-PULSE			1
6	33-0169	SHIM - ENGINE			4	66	24-0085	ADAPTER - 3/8"M X 1/4M - HEX - STEEL			1
7	27-0070	HHCS-ZI GR5 5/16-18 X 1 3/4			4	67	W/ ENGINE	RECTIFIER	N/A	X	1
8	15-0033	HOSE 3/4 250 PSI		5.084'	1	68	28-0002	WASHER-ZI SAE TYPE A 1/4"			11
9	42-0018	CLAMP WORM #20SS 3/4 - 1-1/2			3	69	27-0016	HHCS - ZI GR5 1/4-20X1			8
10	23-0358	HOSE BARB - 3/4LB X 3/4 SWIV			1	70	30-0002	HEX NUT - ZINC GR2 1/4-20			3
11	15-0315	HOSE 1/2" X 36"			1	71	20-0589A18	BRACKET/COVER			2
12	24-0131	ELBOW 3/8MNPT X 3/8MNPT-STEEL			1	72	34-1032	DECAL - WARNING; RISK OF INJURY	N/A	X	2
13	23-0494	3/8" FNPT X M22 SCREW NIPPLE			1	73	20-0690A18	BELTGUARD-ENGINE			1
14	23-0490	3/8" FNPT X M22 SCREW COUPLER			1	74	6-0092A18	BELTGUARD-PUMP			1
15	15-0314	H.P. HOSE 1/2" X 98"			1	75	23-0005	HOSE BARB - 1/2"MNPT x 1/2" LOCK			1
16	24-0282	BUSHING-1/2MNPT X 3/8FNPT STEEL			1	76	27-0068	BOLT - HHCS - ZI GR5 5/16-18 X 1-1/4"			4
17	8-0032	UNLOADER VALVE ORANGE SPRING			1	77	20-1253A18	OIL DRAIN PLATE			1
18	24-0006	ELBOW 1/2MPX1/2FP 90 STEEL FORGE			1	78	23-0016	BUSHING - 1/2 M x 3/8 F NPT HEX - BRASS			1
19	23-0012	NIPPLE - 1/2MP X 1/2MP			1	79	24-0338	PLUG - 1/2" NPT			2
20	23-0363	ELBOW - 1/2MP X 3/4M FLARE			1	80	23-0073	BARB 3/8MP X 3/8 HOSE - BRASS			1
21	15-0225	HOSE - 1/4" X 21.5" 5800PSI			1	81	49-0176	THROTTLE CONTROL SPRING			1
22	24-0053	REDUCER 1/2MP X 1/4 FP HEX - STEEL			1	82	11-0052	COG BELT BX38			3
23	51-0034	MANIFOLD BLOCK-1/2" NPT			1	83	10-0155	SHEAVE- 3BK47H			1
24	27-0073	HHCS-ZI GR5 5/16-18 X 2-1/2			4	84	9-0010	BUSHING H x 1 1/8			1
25	29-0007	LOCKWASHER-ZINC MED 5/16			2	-	71-0005	DECAL SET			1
26	28-0003	WASHER-ZI SAE TYPE A 5/16"			34						
27	23-0091	BARB 1MP X 1 HOSE - BRASS			2						
28	22-0344	BALL VALVE 1"NPT BRASS STD			1						
29	27-0067	BOLT - HHCS - ZI GR5 5/16-18 x 1"			2						
30	20-0951A18	1" PIPE WELDMENT			1						
31	15-0304	HOSE - 3/4" ID CLEAR REINFORCED		1.084'	1						
32	23-0482	ELBOW-3/4"MNPT X 3/4" LOCKING BARB			1						
33	22-0279	BALL VALVE 3/4 - BRASS			1						
34	23-0026	NIPPLE 3/4M X 3/4M HEX			1						
35	23-0150	BUSHING - 1"MNPT x 3/4"FNPT			1						
36	24-0117	TEE - 1" STREET GALVANIZED			1						
37	19-0247	FILTER 1" WYE IN LINE 80 MESH			1						
38	15-0172	HOSE - 1" SUCTION W/SPIRAL WRAP		1.667'	1						
39	30-0159	HEX NYLON LOCKNUT - ZI 3/8-16			2						
40	28-0004	WASHER - ZI SAE 3/8"			6						
41	27-0133	BOLT - HHCS-ZI-GR5 3/8"-16 x 5"			2						
42	28-0023	FLATWASHER - 3/8 STD ZI			5						
43	20-0584A18	TENSION BRACKET			1						
44	30-0006	HEX NUT - ZI GR2 3/8-16			6						
45	30-6025	CLIP NUT 3/8-16			2						
46	29-0054	LOCKWASHER-ZI SPRING TYPE A M8			4						
47	27-8884	SHCS-GR12.9 M8-1.25PX16MM BLK			4						
48	5-0153A18	PUMP HAT			1						
49	29-0008	LOCKWASHER - ZI MED 3/8			4						
50	14-0110	VIB/ISO 1.5" DIA X 1.5" HEIGHT			8						
51	5-0309A18	BASEPLATE			1						
52	23-0090	BARB - 3/4MNPT X 1" HOSE			1						
53	23-0081	ELBOW 3/4M X 3/4F 90 STR BRASS			1						
54	24-0092	ELBOW-3/8M X #8JIC M 90° STEEL			1						
55	3-0372	PUMP - TSF2421			1						
56	15-0305	HOSE 1/2" 300PSI		2.833'	1						
57	23-0120	HOSE BARB 1/4" M NPT x 1/2" - BRASS			1						
58	10-0154	SHEAVE - 3BK100H			1						
59	9-0017	BUSHING H24			1						
60	29-0006	LOCK WASHER - 1/4"		X4	15						

## INSTALLATION OF 49-0176 - THROTTLE CONTROL SPRING



49-0176 - THROTTLE CONTROL SPRING

## INSTALLATION OF 46-1432 - VALVE CAP



### Mi-T-M Corporation

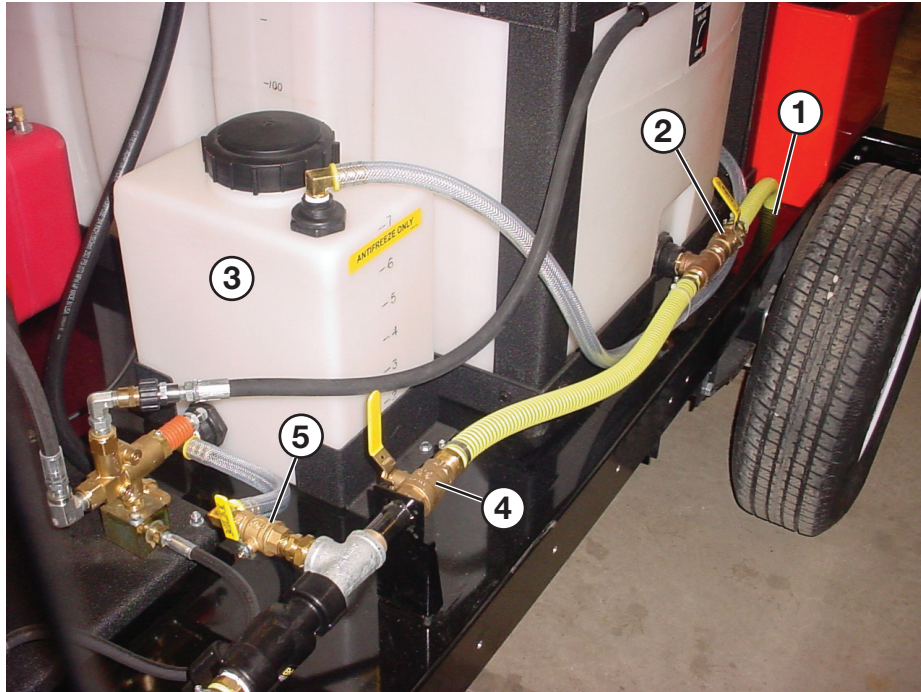
SCALE: NTS	DATE: 11/3/2023	DRAWING SIZE: B	APPD:
<b>JM-2512-0GH - ISOLATION PLATE</b>			
DRAWING/PART NO: JM-2512 - ISOLATION PLATE			

# Winterizing

For storage and transportation purposes in subfreezing ambient temperatures, it will be necessary to winterize this unit. This unit must be protected to the lowest incurred temperature for the following reasons:

- a. If any part of the pumping system becomes frozen; excessive pressure may build up in the unit which could cause the unit to burst resulting in possible serious injury to the operator or bystanders.
- b. The pumping system in this unit may be permanently damaged if frozen. **FREEZE DAMAGE IS NOT COVERED BY WARRANTY.**

If you must store your unit in an area where the temperature may fall below 32°F, you can protect your unit by following the procedure outlined below:



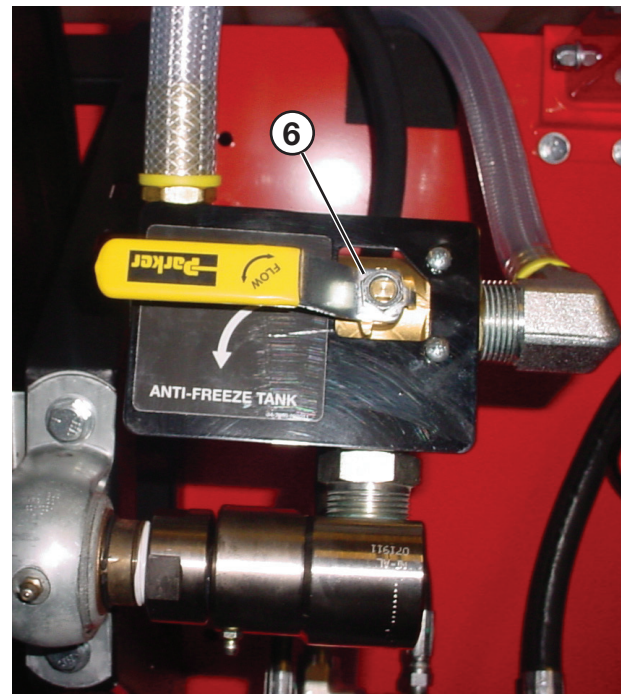
Fill Anti-freeze tank [ 3 ] with solution.

1. After operation, empty the 200 gallon tank by opening valve [ 2 ] allowing water to run to the drain [ 1 ].
2. Close fresh water inlet valve [ 4 ].
3. Remove high pressure nozzle. Connect water supply to the high pressure hose using the interconnection coupler provided.
4. Turn 3-way ball valve [ 6 ] to direct flow to the 200 gallon supply tank.
5. Start engine and let it idle.
6. Open anti-freeze outlet valve [ 5 ]. Anti-freeze will begin to flow through the system.
7. Rotate 3-way ball valve [ 6 ] as soon as anti-freeze flows into the clear hose going to the 200 gallon tank. Anti-freeze will then flow into the anti-freeze tank. Once anti-freeze solution reaches 3-way ball valve [ 6 ] and clear hose,
8. Shut off engine.

Use the following steps to return to normal operation after winterizing your equipment.

1. Close drain valve [ 2 ].
2. Close anti-freeze outlet valve [ 5 ].
3. Split the connection between the supply hose and high pressure hose.
4. Run the inlet water to the inlet hose – using the 3-way ball valve, allow antifreeze from the hose back into the antifreeze tank – once fresh water appears move the 3-way ball valve [ 6 ] to direct the fresh water into the 200 gallon supply tank.
5. Open fresh water inlet valve [ 4 ].
6. After 200 gallon tank is filled, system is ready for NORMAL operation.

*NOTE: Owner should monitor dilution and level of anti-freeze for maximum protection.*



*Note: #6 is located in between hose reels*