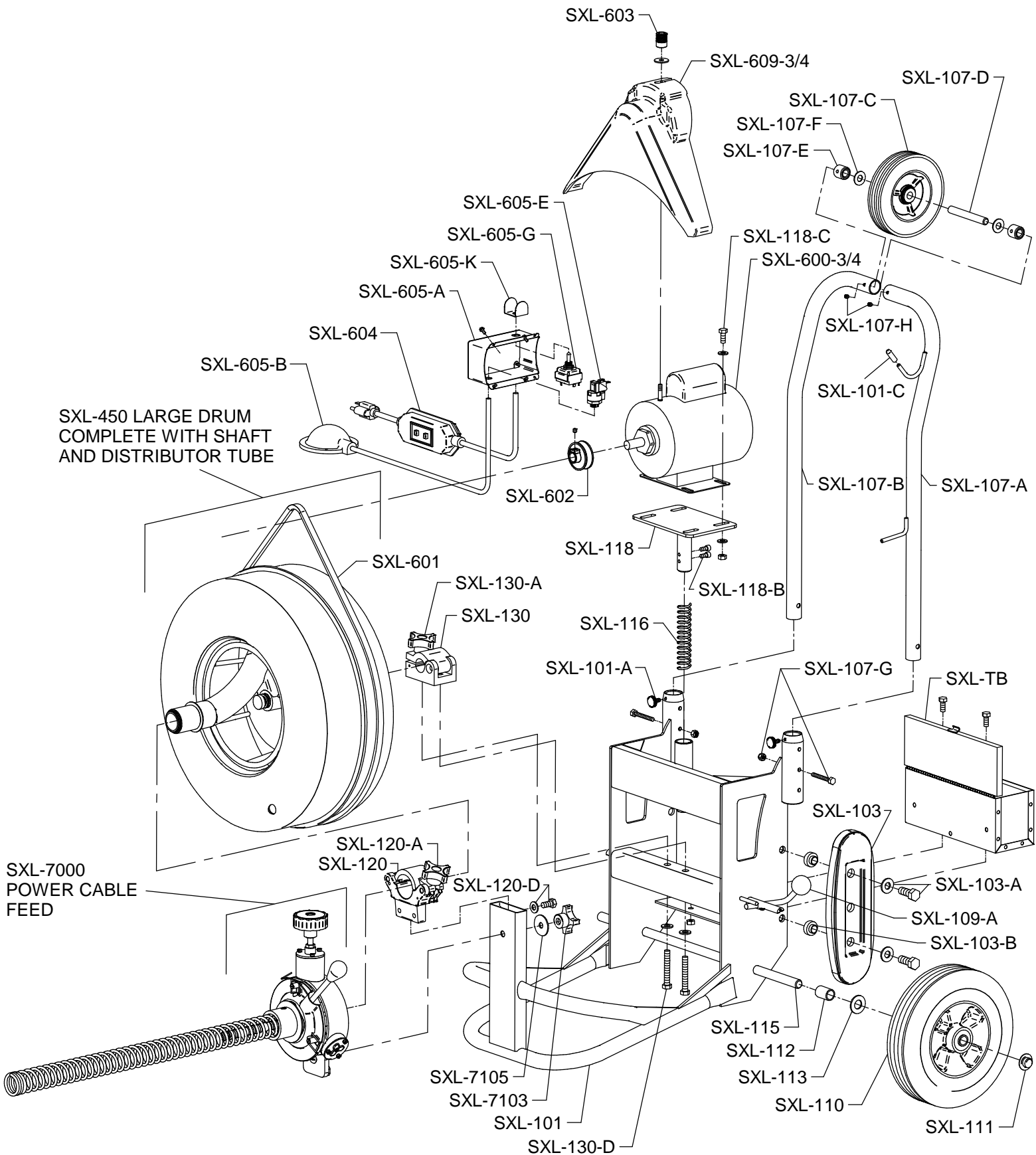


SPEEDROTER XL PARTS LIST

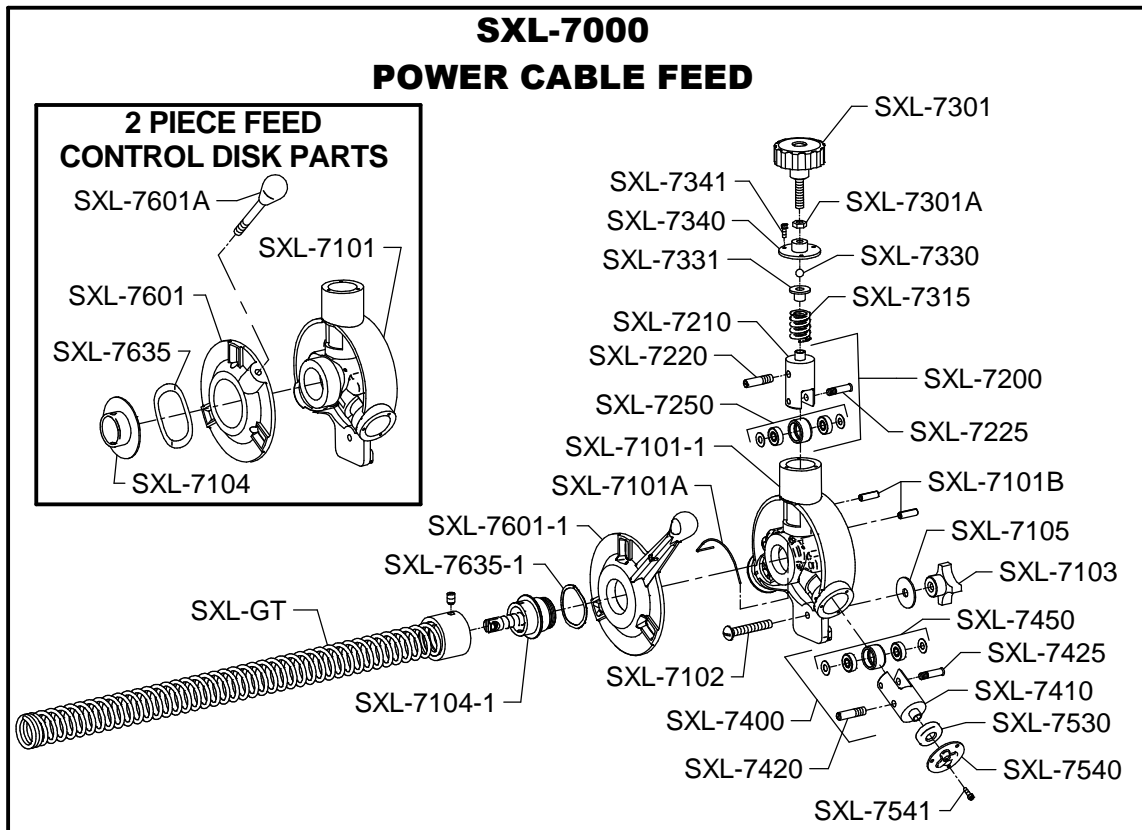
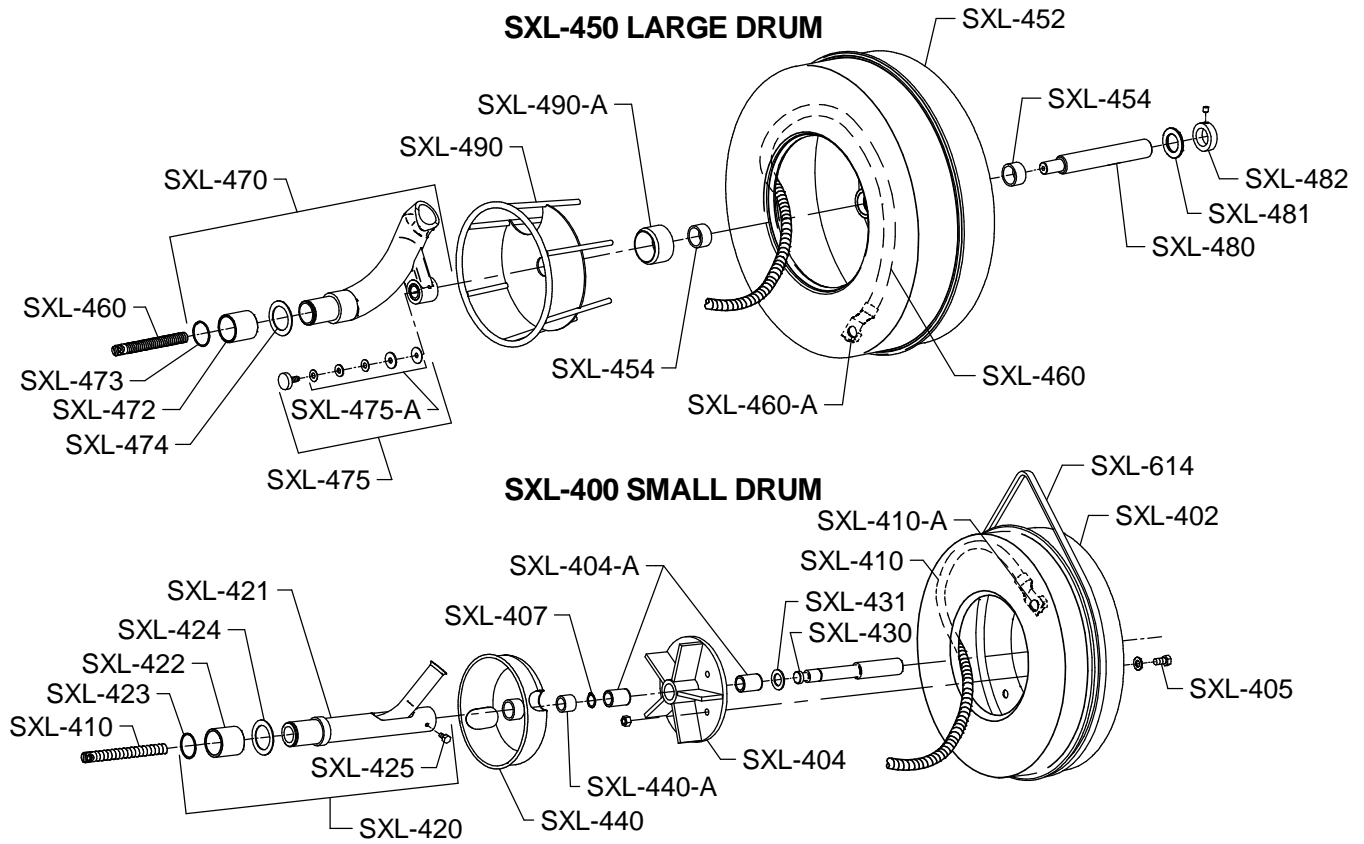
CAT. NO.	DESCRIPTION	CAT. NO.	DESCRIPTION
SXL-100	Frame Complete	SXL-480	Drum Shaft
SXL-101	Frame Only w/Axle	SXL-481	Wear Washer
SXL-101-A	Handle Support Knob (2)	SXL-482	Spacer Collar w/Set Screw
SXL-101-C	Cord Wrap Cap	SXL-490	Inner Drum Cage
SXL-103	Stair Climber w/Belt (1)	SXL-600-3/4	3/4 hp Motor w/Air Foot Switch, Rev. Switch, GFCI
SXL-103-A	Nut, Bolt, & Washer (2)	SXL-601	V-Belt (64")
SXL-103-B	Spacers (2)	SXL-602	V-Belt Pulley
SXL-107	Plated Handle Assembly	SXL-603	Belt Guard Knob
SXL-107-A	Handle - Left	SXL-604	20 ft. Power Cord w/GFCI
SXL-107-B	Handle - Right	S91-605	Air Foot Switch & Reverse Switch Assembly
SXL-107-C	6" Handle Wheel	SXL-605-A	Box Only w/Cover & Screws
SXL-107-D	Axle for Handle Wheel	SXL-605-B	Foot Pedal & Hose
SXL-107-E	Bushing (2)	SXL-605-C	Cable Tie
SXL-107-F	Felt Washer (2)	SXL-605-E	Power Switch Diaphragm
SXL-107-G	Bolt & Nut (2)	SXL-605-G	Reverse Switch - 3-Way
SXL-107-H	Set Screw (2)	SXL-605-K	Switch guard
SXL-109-A	Knob for Brake Rod	S91-605-N	Strain Relief Nut
SXL-110	10" Wheel w/Retaining Cap (1)	SXL-609-3/4	Belt Guard (3/4 hp) w/Slot
SXL-111	Wheel Retaining Cap (2)	SXL-614	Small Drum V-Belt (57")
SXL-112	Wheel Spacer (2)	SXL-7000	Power Cable Feed Assembly
SXL-113	Wheel Spacer Washer	SXL-7101	Feed Body
SXL-115	Axle	SXL-7101-A	Lifting Spring
SXL-116	Motor Support Spring	SXL-7101-B	Guide Pins (2)
SXL-118	Motor Support Platform	SXL-7101-1	Feed Body for One Piece Feed Control Disk
SXL-118-B	Guide Screws (2)	SXL-7102	Mounting Stud
SXL-118-C	Nuts (4), Bolts (4), & Washers (8)	SXL-7103	Mounting Knob
SXL-120	Front Bearing Assembly	SXL-7104	Spout & Retaining Cover
SXL-120-A	Front Bearing Knob	SXL-7104-1	Spout for One Piece Feed Control Disk
SXL-120-D	Mounting Bolts & Washers (2)	SXL-7105	Steel Washer
SXL-130	Rear Drum Shaft Clamp	SXL-7200	Top Roller Assembly
SXL-130-A	Drum Clamp Knob	SXL-7210	Top Carrier Only
SXL-130-D	Mounting Bolts & Washers (2)	SXL-7220	Swing Pin
SXL-400	Small Drum Complete w/Shaft & Distributor Tube (15")	SXL-7225	Feed Roller Shaft
SXL-402	Drum Shell	SXL-7250	Feed Roller w/Bearing
SXL-404	Drum Hub w/Bushings	SXL-7301	Feed Pressure Knob
SXL-404-A	Bushings (2)	SXL-7301-A	Limiting Nut
SXL-405	Nuts, Bolts, & Washers (5)	SXL-7315	Pressure Spring
SXL-407	Shaft Retaining Ring	SXL-7330	Ball Bearing
SXL-410	Drum Connecting Cable (for 1/2" Cables)	SXL-7331	Ball Bearing Holder
SXL-410-A	Nut & Bolt	SXL-7340	Top Cover
SXL-420	Small Drum Distributor Tube Assembly	SXL-7341	Cover Screws (3)
SXL-421	Distributor Tube Only	SXL-7400	Bottom Roller Assembly
SXL-422	Bushing	SXL-7410	Bottom Carrier Only
SXL-423	Retaining Ring	SXL-7420	Swing Pin
SXL-424	Thrust Bearing Race	SXL-7425	Bottom Roller Shaft
SXL-425	Distributor Tube Retaining Bolts and Lock Washers (2)	SXL-7450	Bottom Roller w/Bearing
SXL-430	Drum Shaft	SXL-7530	Thrust Bearing
SXL-431	Shaft Washer	SXL-7540	Cable Adjustment Plate
SXL-440	Inner Drum Cage	SXL-7541	Plate Screws (3)
SXL-440-A	Bushing	SXL-7601	Feed Control Disk w/Lever & Knob
SXL-450	Large Drum Complete w/Shaft & Distributor Tube (18")	SXL-7601-A	Lever & Knob
SXL-452	Drum Shell w/Bearings	SXL-7601-1	Feed Control Disk (One Piece)
SXL-454	Drum Hub Bearings (2)	SXL-7635	Wave Washer
SXL-490-A	Bushing	SXL-7635-1	Wave Washer for One Piece Feed Control Disk
SXL-460	Drum Connecting Cable (for 5/8" & 3/4" Cables)	SXL-GT	Guide Tube for Speedroter 91
SXL-460-A	Nut, Bolt, & Washers	SXL-7703	Set of Feed Rollers (3)
SXL-470	Drum Distributor Tube Assembly	SXL-TB	Tool Box
SXL-472	Bushing	GTE	Guide Tube Extension
SXL-473	Retaining Ring	SXL-DECAL	Set of Safety Decals
SXL-474	Thrust Bearing Race	SXL-DVD	Instructional DVD
SXL-475	Distributor Tube Retaining Knob w/Bearing Assembly		
SXL-475-A	Bearing Assembly for Retaining Knob		

SPEEDROOTER XL SCHEMATIC DIAGRAM



IMPORTANT: When ordering, give Serial Number of Machine.

SPEEDROOTER XL SCHEMATIC DIAGRAM



IMPORTANT: When ordering, give Serial Number of Machine.