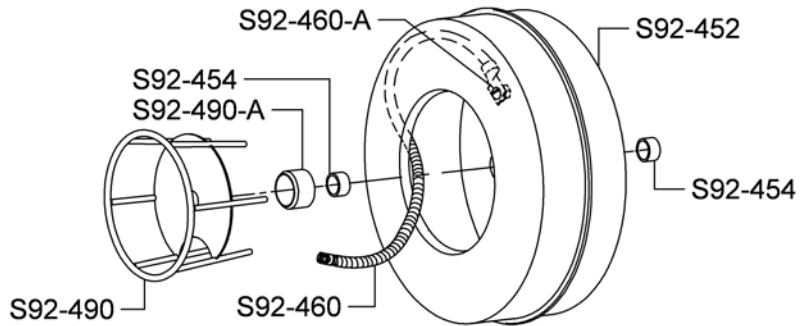


## SPEEDROOTER 92 PARTS LIST

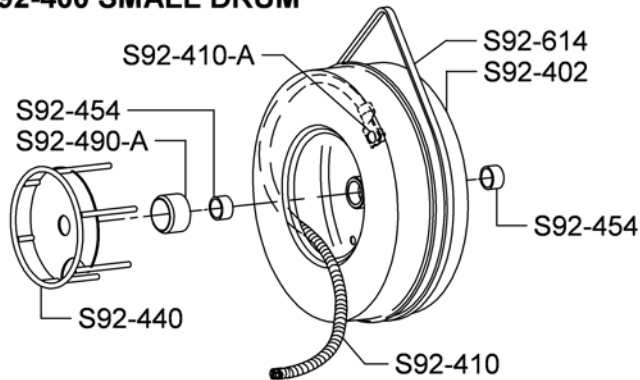
CAT. NO.	DESCRIPTION	CAT. NO.	DESCRIPTION
S92-100	Frame Complete w/Axle	S92-601	V-Belt (64")
S92-101	Frame Only w/Axle	S92-602	V-Belt Pulley
S92-101-A	Handle Support Knob (2)	S92-602-1	Slip Clutch (Optional)
S92-103	Stair Climber w/Belt (1)	S92-603	Knob for Mounting Stud
S92-103-A	Nuts, Bolt, & Washers (2)	GFI-20	20 ft. Power Cord w/GFCI
S92-103-B	Spacers (2)	S92-605	Air Foot Switch & Reverse Switch Assembly
S92-107	Handle Assembly	S92-605-A	Box Only w/Cover & Screws
S92-107-A	Handle - Left	S92-605-B	Foot Pedal & Hose
S92-107-B	Handle - Right	S92-605-C	Hose Clamp
S92-107-C	6" Handle Wheel	S92-605-E	Power Switch Diaphragm
S92-107-D	Axle for Handle Wheel	S92-605-G	Reverse Switch - 3-Way
S92-107-E	Bushings (2)	S92-605-J	Barbed Adapter
S92-107-F	Felt Washers (2)	S92-605-K	Switch Guard
S92-107-G	Bolts & Nuts (2)	S92-605-N	Strain Relief Nut
S92-107-H	Set Screws (2)	S92-609-1/2	Belt Guard (1/2 hp) w/Slot
S92-107-J	Rubber Cord Wrap Tip (2)	S92-605-3/4	Belt Guard (3/4 hp) w/Slot
S92-108	Brake Rod	S92-614	Small Drum V-Belt (57")
S92-108-A	Roll Pin	S92-7000	Power Cable Feed Assembly
S92-109	Brake Rod Handle w/Knob	S92-7101	Feed Body
S92-109-A	Knob for Brake Rod	S92-7101-A	Lifting Spring
S92-109-B	Roll Pin	S92-7101-B	Guide Pins (2)
S92-109-C	Brake Rod Latch w/Screws	S92-7102	Mounting Stud
S92-110	10" Wheel w/Retaining Cap (1)	S92-7103	Mounting Knob
S92-111	Wheel Retaining Cap (2)	S92-7104	Spout & Retaining Cover
S92-112	Axle Spacer (2)	S92-7105	Steel Washer
S92-113	Wheel Spacer Washers	S92-7200	Top Roller Assembly
S92-115	Axle	S92-7210	Top Carrier Only
S92-116	Motor Support Spring	S92-7220	Swing Pin
S92-118	Motor Support Platform	S92-7225	Feed Roller Shaft
S92-118-B	Guide Screws (2)	S92-7250	Feed Roller w/Bearing
S92-118-C	Nuts, Bolt, & Washers (4)	S92-7301	Feed Pressure Knob
S92-120	Front Bearing Assembly	S92-7301-A	Limiting Nut
S92-120-A	Front Bearing Knob	S92-7315	Pressure Spring
S92-120-D	Bolts, Nuts, & Washers (2)	S92-7330	Ball Bearing
S92-180	Drum Shaft for Spring Distributor Tube (Lg & Sm Drum)	S92-7331	Ball Bearing Holder
S92-180-A	Wear Washer	S92-7340	Top Cover
S92-181	Drum Shaft Retaining Bolt	S92-7341	Cover Screws & Washers (3)
S92-182	Retaining Washer	S92-7400	Bottom Roller Assembly
S92-183	Felt Washer	S92-7410	Bottom Carrier Only
S92-200	Spring Distributor Tube Assembly	S92-7420	Swing Pin
S92-400	Small Drum Complete (15")	S92-7425	Bottom Roller Shaft
S92-402	Drum Shell for Spring Distributor Tube	S92-7450	Bottom Roller w/Bearing
S92-410	Drum Connecting Cable (for 1/2" Cables)	S92-7530	Thrust Bearing
S92-410-A	Nut, Bolt, & Washer	S92-7540	Cable Adjustment Plate
S92-440	Inner Drum Cage for Spring Distributor Tube	S92-7541	Plate Screws & Washers (3)
S92-450	Large Drum Complete	S92-7601	Feed Control Disc w/Lever & Knob
S92-452	Drum Shell	S92-7601-A	Lever & Knob
S92-454	Drum Hub Bearings (2)	S92-7635	Wave Washer
S92-460	Drum Connecting Cable (for 5/8" & 3/4" Cables)	PO-703	Set of Feed Rollers (3)
S92-460-A	Nut, Bolt, & Washer	S92-TB	Tool Box w/Bolts & Nuts
S92-490	Inner Drum Cage for Spring Distributor Tube	S92-GT	Guide Tube for Speedrooter 92
S92-490-A	Bushing	GTE	Guide Tube Extension
S92-600	1/2 hp Motor Complete w/Air Foot Switch, Reverse Switch, & GFCI	S92-DECAL	Set of Safety Decals
S92-600-3/4	3/4 hp Motor Complete w/Air Foot Switch, Reverse Switch, & GFCI	S92-DVD	Instructional DVD

# SPEEDROOTER 92 SCHEMATIC DIAGRAM

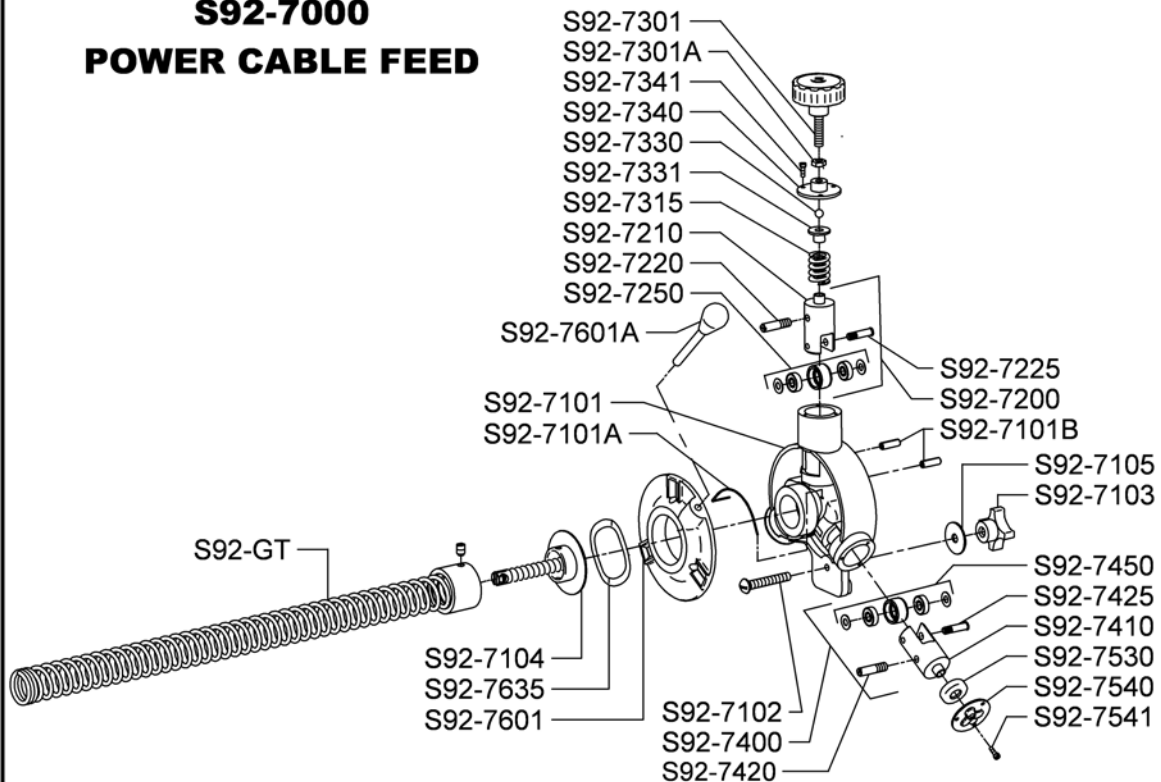
## S92-450 LARGE DRUM



## S92-400 SMALL DRUM

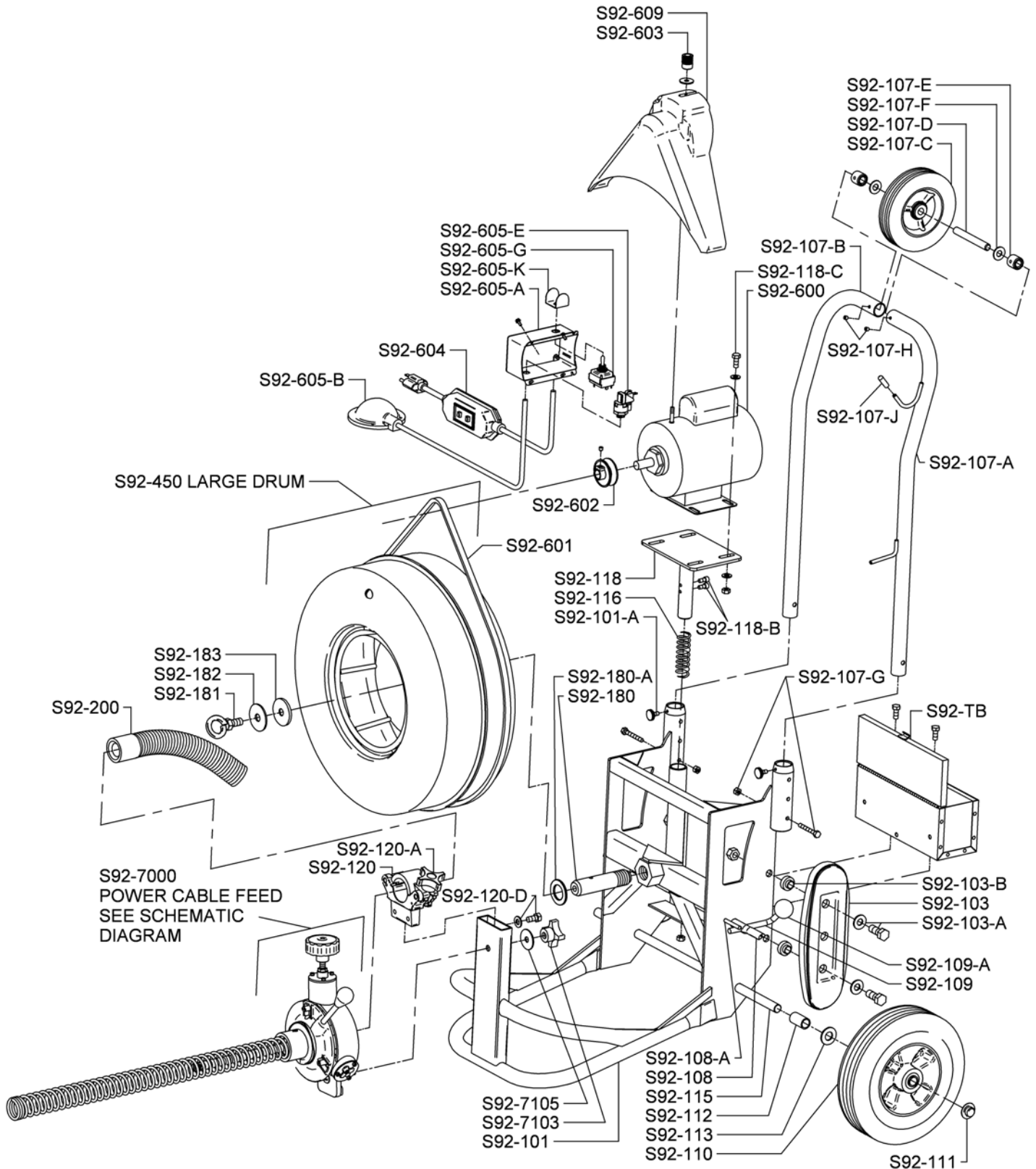


## S92-7000 POWER CABLE FEED



**IMPORTANT: When ordering, give Serial Number of Machine.**

# SPEEDROOTER 92 SCHEMATIC DIAGRAM



**IMPORTANT: When ordering, give Serial Number of Machine.**