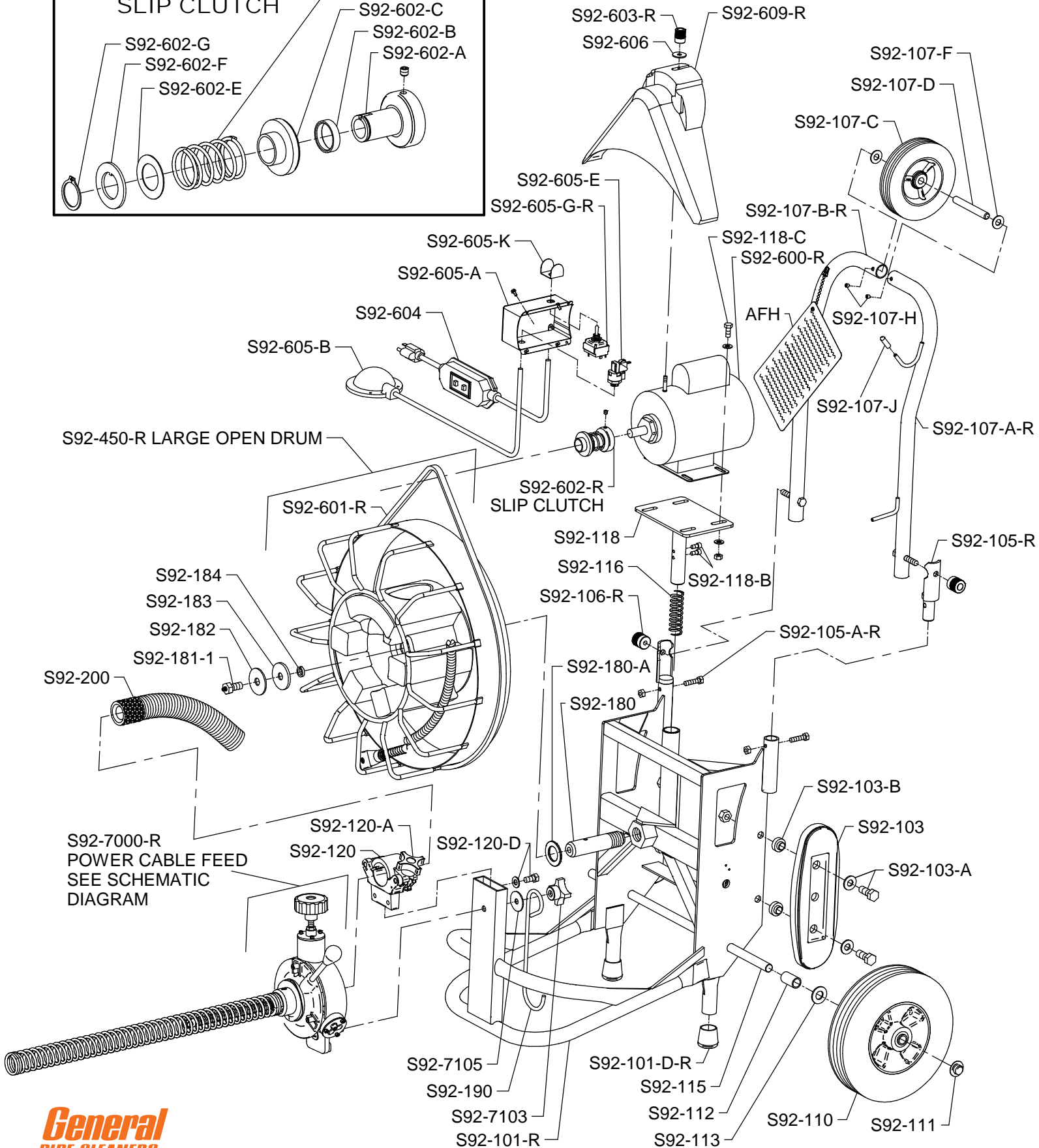
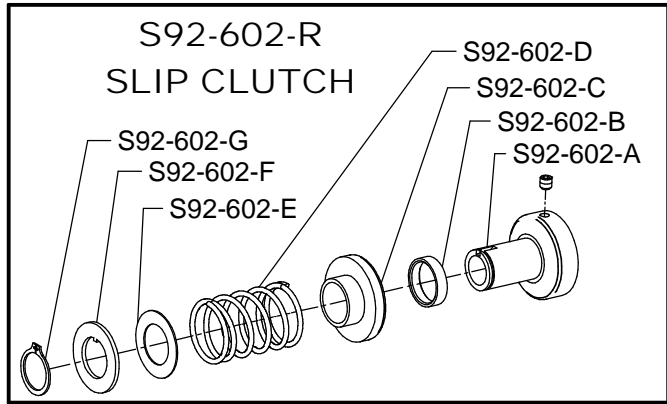


SPEEDROTER 92 PARTS LIST

ITEM NO.	CATALOG NO.	DESCRIPTION
170645	S92-100	Frame Complete w/Axle
170655	S92-101	Frame Only w/Axle
156036	S92-101-A	Handle Support Knob (2)
156045	S92-103	Stair Climber w/Belt (1)
156050	S92-103-A	Nuts, Bolt, & Washers (2)
156055	S92-103-B	Spacers (2)
156061	S92-107	Handle Assembly
156066	S92-107-A	Handle - Left
156067	S92-107-B	Handle - Right
156075	S92-107-C	6" Handle Wheel
156080	S92-107-D	Axle for Handle Wheel
156090	S92-107-F	Felt Washers (2)
156100	S92-107-G	Bolts & Nuts (2)
156105	S92-107-H	Set Screws (2)
170730	S92-107-J	Rubber Cord Wrap Tip
156125	S92-109-A	Knob for Brake Rod
156130	S92-109-C	Brake Rod Latch w/Screws
156135	S92-110	10" Wheel w/Retaining Cap (1)
156140	S92-111	Wheel Retaining Cap (2)
156145	S92-112	Axle Spacer (2)
170740	S92-113	Wheel Spacer Washers
156150	S92-115	Axle
170750	S92-116	Motor Support Spring
170760	S92-118	Motor Support Platform
170770	S92-118-B	Guide Screws (2)
156168	S92-118-C	Nuts, Bolt, & Washers (4)
156170	S92-120	Front Bearing Assembly
156174	S92-120-A	Front Bearing Knob
156183	S92-120-D	Bolts, Nuts, & Washers (2)
170780	S92-180	Drum Shaft
170800	S92-181-1	Drum Shaft Retaining Bolt w/Grease Fitting
170790	S92-180-A	Wear Washer
170810	S92-182	Retaining Washer
170820	S92-183	Felt Washer
170823	S92-184	High Collar Lock Washer
170630	S92-200	Spring Distributor Tube
170600	S92-400-1	Small Drum Complete (16")
170960	S92-402-1	Drum Shell (16")
156219	S92-410	Drum Connecting Cable (for 1/2" Cables) w/ Nut, Screws, & Lock Washer
156222	S92-410-A	Connecting Cable Nut, Screws, & Lock Washer
170970	S92-440	Inner Drum Cage for 15" Small Drum
166600	S92-440-1	Inner Drum Cage for 16" Small Drum
154390	S92-614	Small Drum (15") V-Belt (57")
154395	S92-614-1	Small Drum (16") V-Belt (59")
170610	S92-450	Large Drum Complete
170980	S92-452	Drum Shell
170840	S92-454	Drum Hub Bearings (2)
170880	S92-456	Bushing
170850	S92-460	Drum Connecting Cable (for 5/8" & 3/4" Cables) w/ Nut, Screws, & Lock Washer
156264	S92-460-A	Connecting Cable Nut, Screws, & Lock Washer
170870	S92-490	Inner Drum Cage for Large Drum
170873	S92-490-B	Inner Drum Cage Bushing
170874	S92-490-C	Screws & Washers (6)
154248	S92-600	1/2 hp Motor Complete w/Air Foot Switch, Reverse Switch, & GFCI
154257	S92-600-3/4	3/4 hp Motor Complete w/Air Foot Switch, Reverse Switch, & GFCI

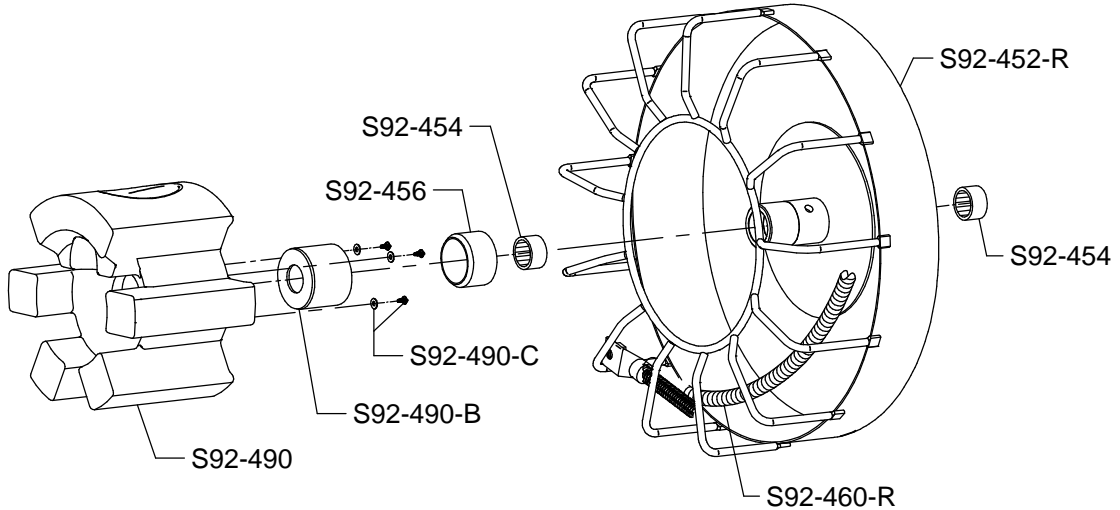
ITEM NO.	CATALOG NO.	DESCRIPTION
156312	S92-602	V-Belt Pulley
156315	S92-602-2	Slip Clutch (Optional)
156320	S92-603	Knob for Belt Guard
136000	GFI-20	20 ft. Power Cord w/GFCI
156330	S92-605	Air Foot Switch & Reverse Switch Assembly
154326	S92-605-A	Box Only w/Cover & Screws
136170	S92-605-B	Foot Pedal & Hose
154328	S92-605-C	Hose Clamp
136080	S92-605-E	Power Switch Diaphragm
136130	S92-605-G	Reverse Switch - 3-Way
170920	S92-605-K	Switch Guard
156395	S92-605-N	Strain Relief Nut
156335	S92-606	Belt Guard Washer
156344	S92-609-1/2	Belt Guard (1/2 hp) w/Slot
170935	S92-605-3/4	Belt Guard (3/4 hp) w/Slot
156309	S92-601	V-Belt (64")
170940	S92-7000	Power Cable Feed Assembly
156350	S92-7101	Feed Body
156355	S92-7101-1	Feed Body for One Piece Feed Control Disk
156360	S92-7101-A	Lifting Spring
156363	S92-7101-B	Guide Pins (2)
155012	S92-7102	Mounting Stud
156370	S92-7103	Mounting Knob
155020	S92-7104	Spout & Retaining Cover
155021	S92-7104-1	Spout for One Piece Feed Control Disk
156380	S92-7105	Steel Washer
155026	S92-7200	Top Roller Assembly
155031	S92-7210	Top Carrier Only
155036	S92-7220	Swing Pin
155041	S92-7225	Feed Roller Shaft
136120	S92-7250	Feed Roller w/Bearing
155060	S92-7301	Feed Pressure Knob
155062	S92-7301-A	Limiting Nut
155066	S92-7315	Pressure Spring
155070	S92-7330	Ball Bearing
155076	S92-7331	Ball Bearing Holder
155080	S92-7340	Top Cover
155085	S92-7341	Cover Screws (3)
155091	S92-7400	Bottom Roller Assembly
155096	S92-7410	Bottom Carrier Only
155100	S92-7420	Swing Pin
155106	S92-7425	Bottom Roller Shaft
136120	S92-7450	Bottom Roller w/Bearing
155130	S92-7530	Thrust Bearing
155135	S92-7540	Cable Adjustment Plate
155140	S92-7541	Plate Screws (3)
155145	S92-7601	Feed Control Disc w/Lever & Knob
155182	S92-7601-A	Lever & Knob
155150	S92-7601-1	Feed Control Disk (One Piece)
155190	S92-7635	Wave Washer
155195	S92-7635-1	Wave Washer for One Piece Feed Control Disk
136110	PO-703	Set of Feed Rollers (3)
156008	S92-TB	Tool Box w/Bolts & Nuts
156006	S92-GT	Guide Tube
146160	GTE	Guide Tube Extension
132210	S92-DECAL	Set of Safety Decals
132375	S92-DVD	Instructional DVD
130040	SRCS	Senior Cutter Set
122080	100EM5	Flexicore Cable, 3/4" x 100 ft. w/ Male & Female Conn.
122040	100EM4	Flexicore Cable, 5/8" x 100 ft. w/ Male & Female Conn.

SPEEDROOTER 92R SCHEMATIC DIAGRAM



SPEEDROOTER 92R SCHEMATIC DIAGRAM

S92-450-R LARGE DRUM



S92-7000-R POWER CABLE FEED

