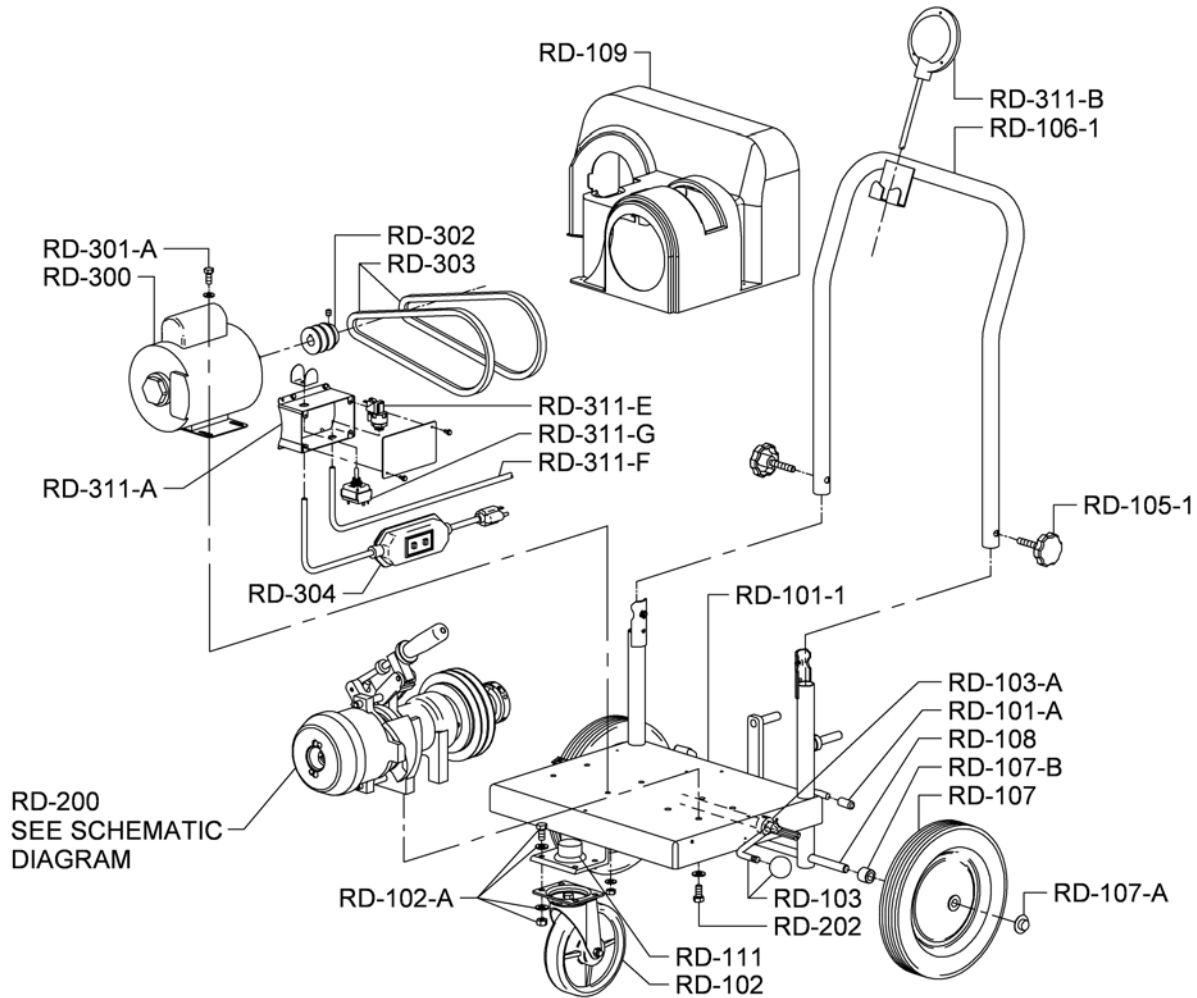
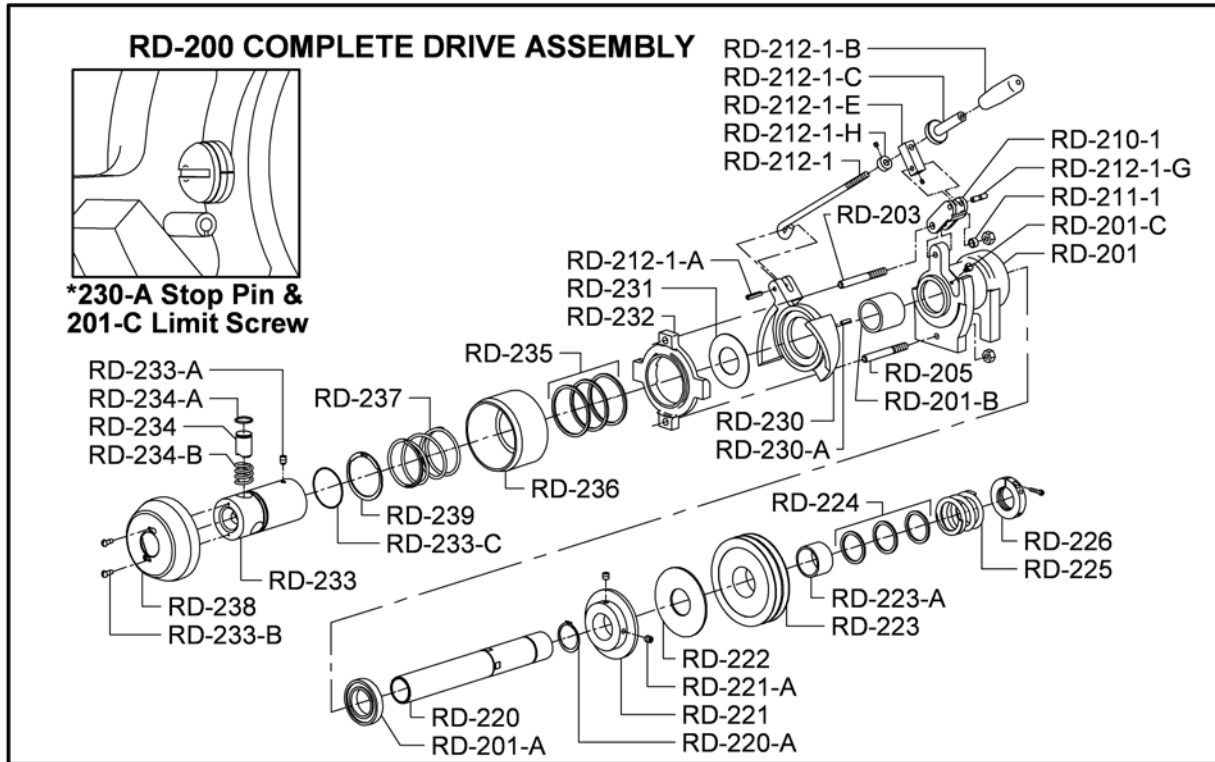


RODRUNNER PARTS LIST

CAT. NO.	DESCRIPTION	CAT. NO.	DESCRIPTION
RD-100	Frame Complete	RD-223	Double Grooved Clutch Pulley
RD-100-1	Frame Complete	RD-223-A	Double Grooved Pulley Bushing
RD-101	Base w/Axle	RD-224	Thrust Bearing Set
RD-101-1	Base w/Axle	RD-225	Tension Spring
RD-101-A	Rubber Cord Wrap Tips (2)	RD-226	Tension Adjusting Collar w/Cap Screw
RD-102	5" Caster	RD-230	Chuck Cam
RD-102-A	Caster Retaining Bolts, Nuts, & Washers (4)	RD-230-A	Stop Pin (Serial #1412 & Up)
RD-103	Brake Rod w/Handle & Knob	RD-231	Steel Plate Spacer
RD-103-A	Brake Rod Retaining Collar w/Set Screw (2)	RD-232	Chuck Cam Follower
RD-104	Handle Sockets (2)	RD-233	Chuck Body w/Spring Retaining Ring for Return Spring (RD-239)
RD-104-A	Hex Head Bolts w/Hex Nuts 1-3/4" (2)	RD-233-A	Chuck Body Set Screws (2)
RD-105	Handle Locking Knobs (2)	RD-233-B	Chuck Cone Cover Screws (2)
RD-105-1	Handle Locking Knobs (2)	RD-233-C	Positioning Ring for Chuck Jaws
RD-106	Handle	RD-234	Chuck Jaws w/Rings (3) (for 1-1/4" dia. Cables)
RD-106-1	Handle	R-R10AD	Chuck Jaws w/Rings (3) (for 7/8" dia. Cables)
RD-107	10" Rubber Wheel w/Hat-Type Push Nut (1)	RD-234-A	Chuck Jaw Rings (3)
RD-107-A	Hat-Type Push Nut (2)	RD-234-B	Chuck Jaw Springs (3)
RD-107-B	Wheel Spacer (2)	RD-235	Chuck Bearing & Races
RD-108	Axle	RD-236	Chuck Cone
RD-109	Plastic Cover	RD-237	Chuck Cone Return Spring
RD-110	Plastic Cover Screws (4)	RD-238	Chuck Cone Cover
RD-111	Section Counter Assembly	RD-239	Spring Retaining Ring for Return Spring
RD-200	Complete Drive Assembly	RD-300	3/4 hp Motor w/GFCI, Foot Switch & Rev. Switch
RD-201	Bearing Housing Complete	RD-300-1HP	1 hp Motor w/GFCI, Foot Switch & Rev. Switch
RD-201-A	Rear Ball Bearing	RD-301-A	5/16" Hex Head Bolt w/Hex Nut (4)
RD-201-B	Front Bronze Bushing	RD-301-B	5/16" SAE Washer (8)
RD-201-C	Limit Screw (Serial #1412 & Up)	RD-302	Double Grooved Motor Pulley
RD-202	Hex Head Bolts 3/8" x 3/4" w/Washers (4)	RD-303	30" V-Belts (2)
RD-203	Upper Cam Follower Guide Pin w/Nut	GFI-20	20 ft. Power Cord w/Moulded Plug & GFCI
RD-205	Lower Cam Follower Guide Pin w/Nut	RD-311	Air Foot Switch & Reverse Switch Assembly
RD-212-210-1	Chuck Handle Assembly	RD-311-A	Box Only w/Cover & Screws
RD-210-1	Chuck Handle Link	RD-311-B	Foot Pedal & Hose
RD-211-1	Chuck Handle Link Spacer	RD-311-C	Hose Clamp
RD-212-1	Chuck Handle Rod	RD-311-D	Foot Pedal Only
RD-212-1-A	Chuck Handle Rod Roll Pin	RD-311-E	Power Switch Diaphragm
RD-212-1-B	Aluminum Chuck Handle	RD-311-F	Air Hose (11 ft.)
RD-212-1-C	Chuck Handle Adjusting Nut	RD-311-G	Reverse Switch (3-Way)
RD-212-1-E	Chuck Handle Block w/Set Screw	RD-311-H	Rubber Boot (Rental Units Only)
RD-212-1-F	Chuck Handle Block Screw	RD-311-J	Barbed Adapter
RD-212-1-G	Chuck Handle Block Pin	RD-311-N	Strain Relief Nut
RD-212-1-H	Chuck Handle Collar w/Set Screw	RGH	Rear Guide Hose
RD-220	Chuck Shaft	CF	Cable Feeding Tool
RD-220-A	Chuck Shaft Snap Ring	RD-DECAL	Set of Safety Decals
RD-221	Clutch Pressure Plate Casting	RD-VIDEO	Instructional Video
RD-221-A	3/8" Allen Head Set Screws (2)		
RD-222	Friction Disc		

RODRUNNER SCHEMATIC DIAGRAM



IMPORTANT: When ordering, give Serial Number of Machine.