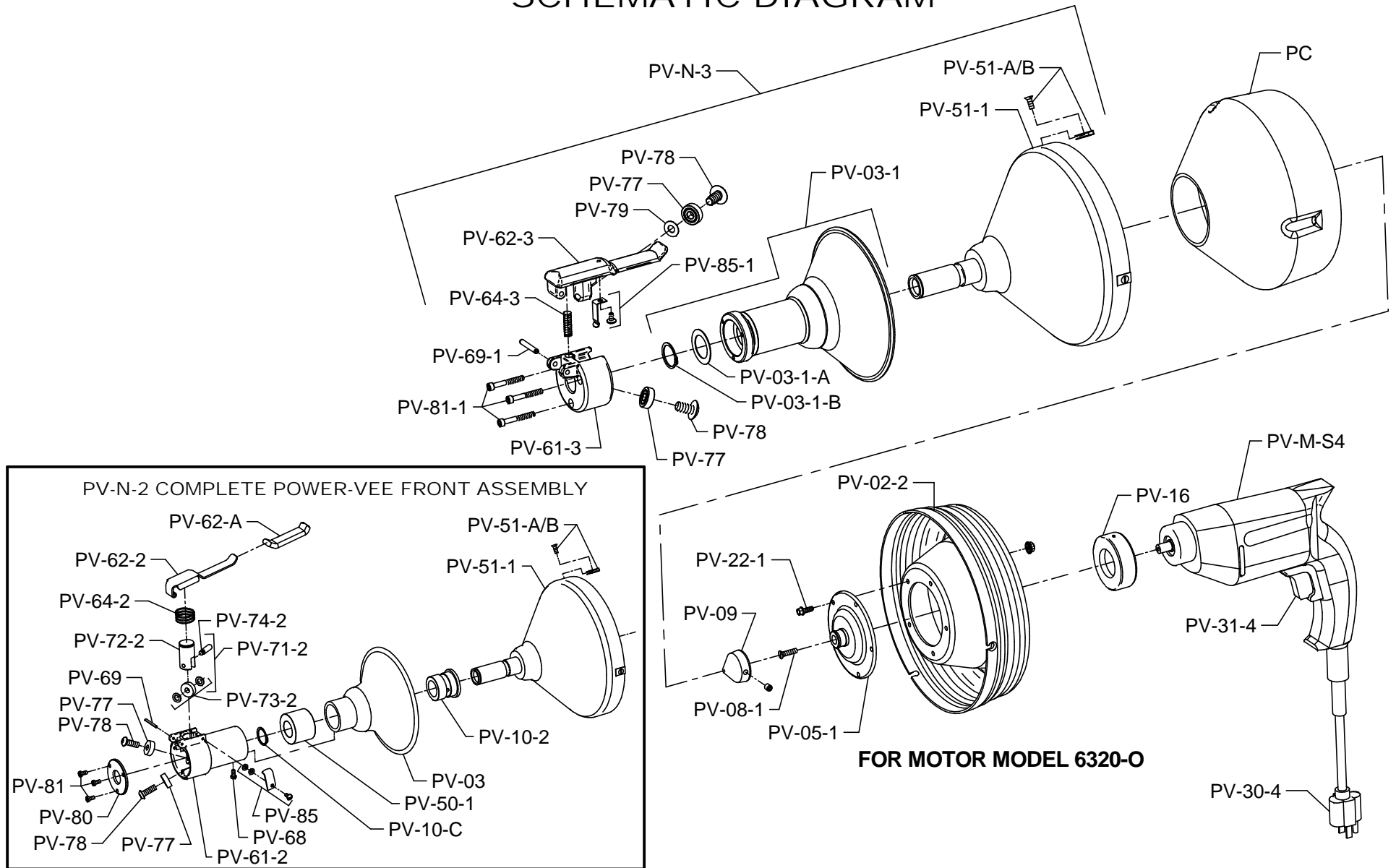


POWER-VEE PARTS LIST

| ITEM NO. | CATALOG NO. | DESCRIPTION | ITEM NO. | CATALOG NO. | DESCRIPTION |
|----------|---------------|---|----------|-------------|---|
| 141525 | PV-M-S | Skil Variable Speed Motor (Model #81596) | 141785 | PV-37 | Handle Covers (#81596) |
| 141550 | PV-M-S3 | Skil Variable Speed Motor (Model #6355-GWS) | 141820 | PV-37-1 | Handle Covers (#6355-GWS) |
| 133060 | PV-M-S4 | Skil Variable Speed Motor #6320-O | 141795 | PV-39-3 | Holder for Brush & Spring (2) (#81596) |
| 141518 | PV-M-B/220 | Bosch Variable Speed 220/50 Motor | 143570 | PV-40-B/220 | Spacer for Bosch 220/50 Motor |
| 141555 | PV-N-2 | Complete Power-Vee Front Assembly | 141830 | PV-50 | Bushing |
| 141560 | PV-N-3 | Complete Power-Vee Front Assembly (Series 3) | 141835 | PV-50-1 | Bushing |
| 141530 | PV-51 | Container Front (w/PV-51-A/B) | 141857 | PV-61-2 | Feed Housing |
| 141535 | PV-51-1 | Container Front - Gripperless | 141853 | PV-61-3 | Feed Housing (Series 3) |
| 141540 | PV-51-A/B | "U" Nuts & Flat Head Screws (3) | 141845 | PV-62-2 | Feed Lever w/Sleeve |
| 141545 | PV-02 | Container Back | 141865 | PV-62-A | Sleeve for PV-62-2 |
| 141570 | PV-03 | Grip Shield | 141847 | PV-62-3 | Feed Lever (Series 3) |
| 141573 | PV-03-1 | Grip Shield (Series 3) | 141880 | PV-64 | Tension Spring |
| 141667 | PV-03-1-A | Thrust Washer (Series 3) | 141877 | PV-64-3 | Tension Spring (Series 3) |
| 141645 | PV-03-1-B | Snap Ring | 141910 | PV-67 | Set Screws & Washers (2) |
| 141575 | PV-04 | Gear Case Body | 141920 | PV-68 | Phillips Head Screw |
| 141580 | PV-05 | Gear Case Cap | 141885 | PV-69 | Feed Lever Pin |
| 141615 | PV-05-1 | Container Hub for Direct Drive | 141887 | PV-69-1 | Feed Lever Pin (Series 3) |
| 143610 | PV-05-2 | Container Hub for Direct Drive Unit w/1/2 Drill Spindle | 141930 | PV-70 | Inner Feed Body |
| 141585 | PV-06 | Internal Ring Gear | 141940 | PV-71 | Feed Roller Assembly (Includes PV-72, 73, 74, 75) |
| 141590 | PV-07 | Pinion & Spindle Gear Assembly | 141950 | PV-72 | Carrier |
| 141165 | PV-08-1 | Reverse Thread Screw for Motor #6320-O | 141960 | PV-73 | Feed Roller |
| 141595 | PV-09 | Beveled Collar w/Set Screw | 141970 | PV-74 | Shaft Pin |
| 141600 | PV-10 | Spindle Sleeve (Inc. PV-10-A) | 141980 | PV-75 | Guide Pin |
| 141605 | PV-10-1 | Spindle Sleeve - Gripperless w/Retaining Ring | 141895 | PV-71-2 | Feed Roller Assembly (Includes PV-64-2, 72-2, 73-2, 74-2) |
| 141610 | PV-10-2 | Spindle Sleeve - Gripperless | 141875 | PV-64-2 | Tension Spring |
| 141640 | PV-10-A | Spindle Sleeve Retaining Ring | 141905 | PV-72-2 | Carrier |
| 141645 | PV-10-C | Snap Ring | 141915 | PV-73-2 | Feed Roller |
| 141660 | PV-10-D | Spacer | 141925 | PV-74-2 | Shaft Pin |
| 141665 | PV-12 | Thrust Washer | 141935 | PV-77 | Feed Roller (1) |
| 141630 | PV-16 | Thrust Bearing for Motor (#6355-GWS & #6320-O) | 141945 | PV-78 | Feed Roller Retaining Screw (1) |
| 141685 | PV-22 | Machine Screws w/Lock Washers (5) | 141947 | PV-79 | Carrier Feed Roller Spacer |
| 141687 | PV-22-1 | Flange Head Screws & Lock Nuts (5) | 141955 | PV-80 | Feed Cover Plate |
| 141690 | PV-23 | Fillister Head Screws (4) | 141965 | PV-81 | Plate Retaining Screw |
| 141300 | PV-25 | Cable Grippers (2) | 141967 | PV-81-1 | Feed Housing Retaining Screw (Series 3) |
| 136020 | PV-26 | Screws w/Locktite (2) | 141975 | PV-85 | Feed Lever Retaining Latch, Screw & Washers |
| 141740 | PV-28 | Collar w/Set Screw | 141977 | PV-85-1 | Feed Lever Retaining Latch & Screw (Series 3) |
| 141745 | PV-29 | Lock Screw | 141985 | PV-700 | Complete Feed Assembly |
| 136040 | PV-30-S | Cord Set (Model #81596) | 171987 | PV-700-1 | Complete Feed Assembly (Series 3) (Includes PV-61-3, PV-62-3, PV-64-3, PV-69-1, 3 x PV-77, 3 x PV-78, PV-79, PV-81-1, PV-85-1) |
| 136030 | PV-30-3 | Cord Set (Model #6355-GWS) | 141990 | PV-703 | Set of Roller Assemblies (3 x PV-71) |
| 135980 | PV-30-4 | Cord Set for Motor #6320-O | 141992 | PV-703-2 | Set of Roller Assemblies (PV-71-2, 2 x PV-77) |
| 143590 | PV-30-B/220 | Cord Set for Bosch 220/50 Motor | 141993 | PV-703-3 | Set of Roller Assemblies (Series 3) (PV-79, 3 x PV-77) |
| 136100 | PV-31-V-S | Variable Speed Trigger & Rev. Switch Assy. (Model #81596) | 120500 | PC | Plastic Cartridge |
| 136090 | PV-31-3 | Variable Speed Trigger & Rev. Switch Assy. (Model #6355-GWS) | 133010 | MCC | Carrying Case |
| 135990 | PV-31-4 | Trigger Switch Assembly for Motor #6320-O | 141991 | PV-DECAL | Set of Safety Decals |
| 143580 | PV-31-V-B/220 | Trigger Switch Assembly for Bosch 220/50 Motor | 130010 | HECS | Handyelectric Cutter Set |
| 141760 | PV-32 | Felt Washer | 120030 | 25HE1-DH | Flexicore Cable, 1/4" x 25 ft. with Down Head |
| 141765 | PV-33 | Armature for Skil (#81596) | 120040 | 50HE1-DH | Flexicore Cable, 1/4" x 50 ft. with Down Head |
| 141800 | PV-33-1 | Armature for Skil (#6355-GWS) | 120090 | 25HE1-A-DH | Flexicore Cable, 5/16" x 25 ft. with Down Head |
| 141770 | PV-34 | Field for Skil (#81596) | 120160 | 25HE2 | Flexicore Cable, 3/8" x 25 ft. with Female Connector |
| 141805 | PV-34-1 | Field for Skil (#6355-GWS) | 120170 | 35HE2 | Flexicore Cable, 3/8" x 35 ft. with Female Connector |
| 141775 | PV-35 | Spacer Washer | 140840 | BNDT | Band-It Splashguard |
| 141810 | PV-36-5 | Brush Set (#6355-GWS) | | | |
| 135960 | PV-36-6 | Brush & Holder Set for Motor #6320-O | | | |

POWER-VEE SCHEMATIC DIAGRAM



IMPORTANT: When ordering, give Serial Number of Machine.