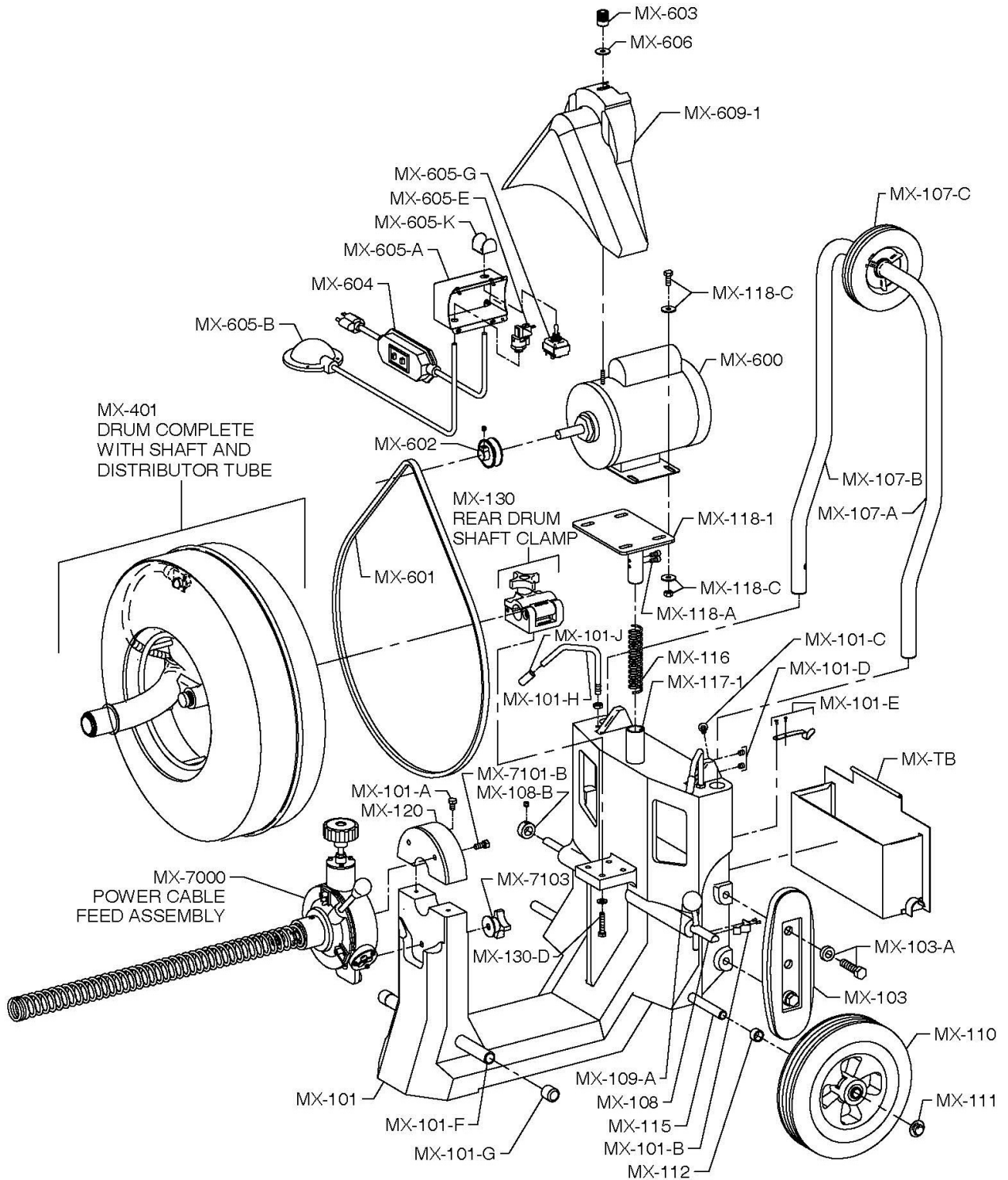


## MAXI-ROOTER PARTS LIST

CAT. NO.	DESCRIPTION	CAT. NO.	DESCRIPTION
MX-100	Frame Complete	MX-440	Inner Drum Cage
MX-101	Frame Only	MX-440-A	Bushing
MX-101-A	Front Post Guide Bolts (2)	MX-440-B	Edging
MX-101-B	Wheel Brake Clip & Screws	MX-600	3/4 hp Motor w/Air Foot Switch, Reverse Switch Assembly & Ground Fault Circuit Interrupter
MX-101-C	Round Head Screws for Handle (2)	MX-601	V-Belt (70")
MX-101-D	Set Screws for Motor Support Guide Tube	MX-602	V-Belt Pulley w/Set Screw
MX-101-E	Clip & Screws for Tool Box	MX-603	Knob for Mounting Stud
MX-101-F	Lifting Handle Assembly	GFI-20	20' Power Cord w/Plug & GFCI
MX-101-G	Front Lifting Handle Cap (2)	MX-605	Air Foot Switch & Reverse Switch Assembly
MX-101-H	Cord Wrap w/Jam Nut (2)	MX-605-A	Box Only w/Cover & Screws
MX-101-J	Rubber Cord Wrap Tips (2)	MX-605-B	Foot Pedal & Hose
MX-103	Stair Climber w/Belt (1)	MX-605-C	Hose Clamp
MX-103-A	Nuts, Bolts, & Spacers for Stair Climber (4)	MX-605-D	Foot Pedal Only
MX-107	Handle Assembly	MX-605-E	Power Switch Diaphragm
MX-107-A	Handle - Left	MX-605-F	Air Hose
MX-107-B	Handle - Right	MX-605-G	Reverse Switch - 3-Way
MX-107-C	6" Handle Wheel	MX-605-K	Switch Guard
MX-107-D	Axle for Handle Wheel	MX-606	Washer
MX-107-E	Bushings for Handle Wheel (2)	MX-609	Belt Guard w/Velcro
MX-107-F	Felt Washers (2)	MX-609-1	Belt Guard w/Slot for Mounting Stud
MX-107-G	Set Screws (2)	MX-7000	Power Cable Feed Assembly
MX-108	Brake Rod	MX-7101	Feed Body
MX-108-B	Collar w/Set Screw	MX-7101-A	Lifting Spring
MX-109-A	Knob for Brake Rod Handle	MX-7101-B	Socket Head Cap Screws (2)
MX-110	10" Heavy Duty Wheel w/Retaining Cap (1)	MX-7101-1	Feed Body for One Piece Feed Control Disk
MX-111	Wheel Retaining Cap	MX-7102	Mounting Stud
MX-112	Wheel Spacers (2)	MX-7103	Knob
MX-115	Axle	MX-7104	Spout & Retaining Cover
MX-116	Motor Support Spring	MX-7104-1	Spout for One Piece Feed Control Disk
MX-117	Motor Support Guide Tube (2 Tubes)	MX-7105	Fender Washer
MX-117-1	Motor Support Guide Tube (1 Tube)	MX-7200	Top Roller Assembly
MX-118	Motor Support Bracket (2 Stem)	MX-7210	Top Carrier Only
MX-118-1	Motor Support Bracket (1 Stem)	MX-7220	Swing Pin
MX-118-A	Guide Screws	MX-7225	Feed Roller Shaft
MX-118-C	Nuts, Bolts, & Washers (4)	MX-7250	Feed Roller w/Bearing
MX-120	Front Post Cap	MX-7301	Feed Pressure Knob
MX-130	Rear Drum Shaft Clamp	MX-7301-A	Limiting Nut
MX-130-A	Drum Clamp Knob	MX-7315	Pressure Spring
MX-130-D	Mounting Bolts & Washers (4)	MX-7330	Ball Bearing
MX-401	Drum Complete w/Shaft & Distributor Tube	MX-7331	Ball Bearing Holder
MX-402	Drum Shell	MX-7340	Top Cover
MX-404	Drum Hub w/Bearings	MX-7341	Cover Screws (3)
MX-404-A	Bearings (2)	MX-7400	Bottom Roller Assembly
MX-404-B	Retaining Rings (2)	MX-7410	Bottom Carrier Only
MX-404-C	Bolts & Washers (12)	MX-7420	Swing Pin
MX-410	Drum Connecting Cable	MX-7425	Bottom Roller Shaft
MX-410-A	Nut, Bolt, & Washer	MX-7450	Bottom Roller w/Bearing
MX-420	Distributor Tube Assembly	MX-7530	Thrust Bearing
MX-422	Bushing	MX-7540	Cable Adjustment Plate
MX-423	Retaining Ring	MX-7541	Plate Screws (3)
MX-424	Thrust Bearing Race	MX-7601	Feed Control Disc w/Lever & Knob
MX-425	Distributor Tube Retaining Knob w/Bearing Assy.	MX-7601-A	Lever & Knob
MX-425-A	Bearing Assembly for Retaining Knob	MX-7601-1	Feed Control Disk (One Piece)
MX-425-B	Fender Washer	MX-7635	Wave Washer
MX-425-C	Fiber Washer	MX-7635-1	Wave Washer for One Piece Feed Control Disk
MX-430	Drum Shaft	PO-703	Set of Feed Rollers (3)
MX-431	Wear Washer		
MX-435	Spacer Collar w/Set Screw		

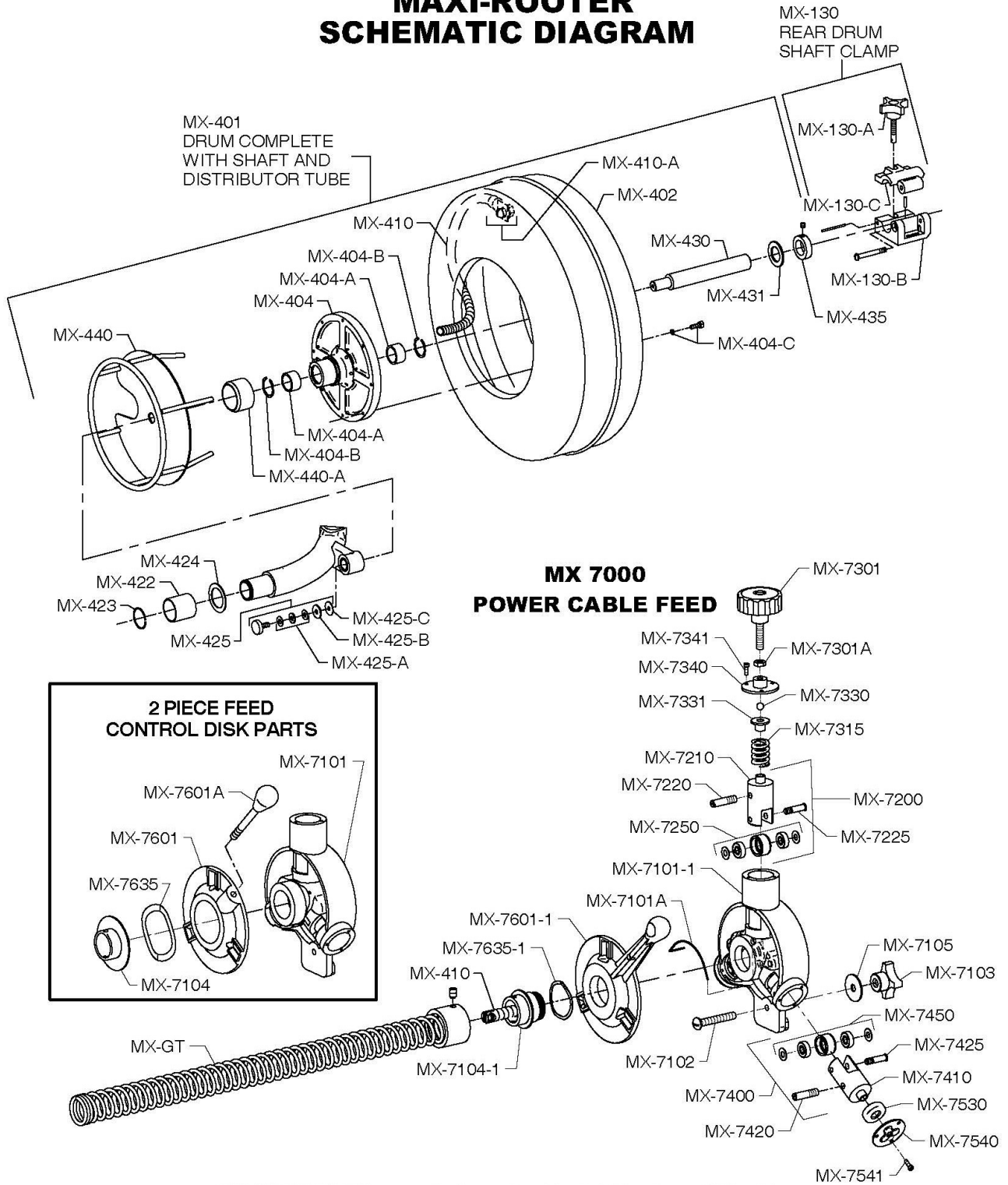
CAT. NO.	DESCRIPTION
MX-TB	Tool Box
MX-GT	Guide Tube
GTE	Guide Tube Extension
MX-DECAL	Set of Safety Decals

## MAXI-ROUTER SCHEMATIC DIAGRAM



**IMPORTANT: When ordering, give Serial Number of Machine.**

# MAXI-ROOTER SCHEMATIC DIAGRAM



**IMPORTANT: When ordering, give Serial Number of Machine.**

**General Wire Spring Co,  
1101 Thompson Avenue  
McKees Rocks, PA 15136  
412-771-6300**

[www.drainbrain.com](http://www.drainbrain.com)