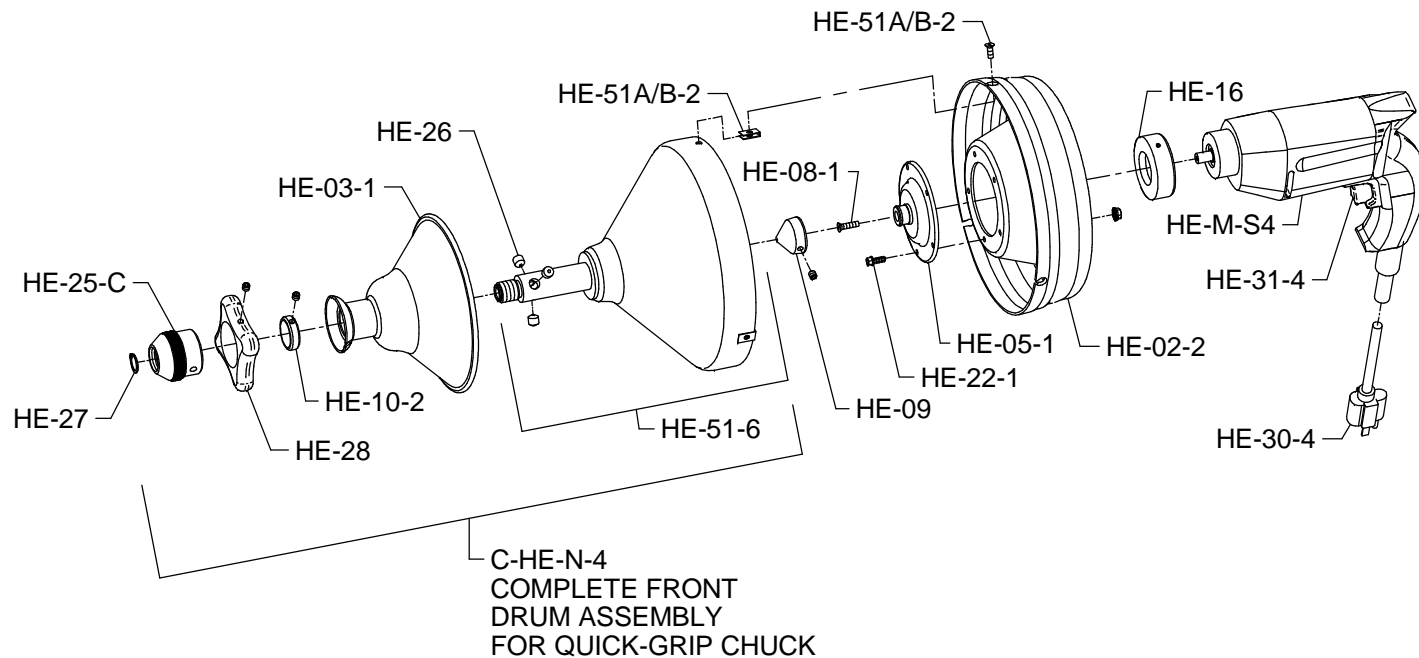
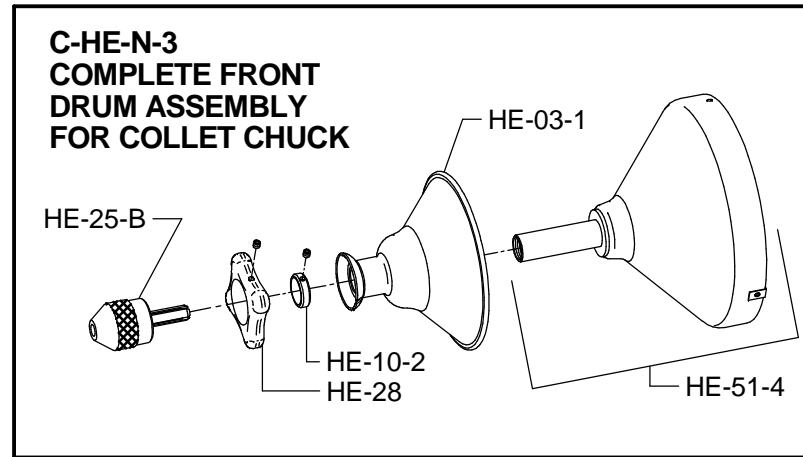
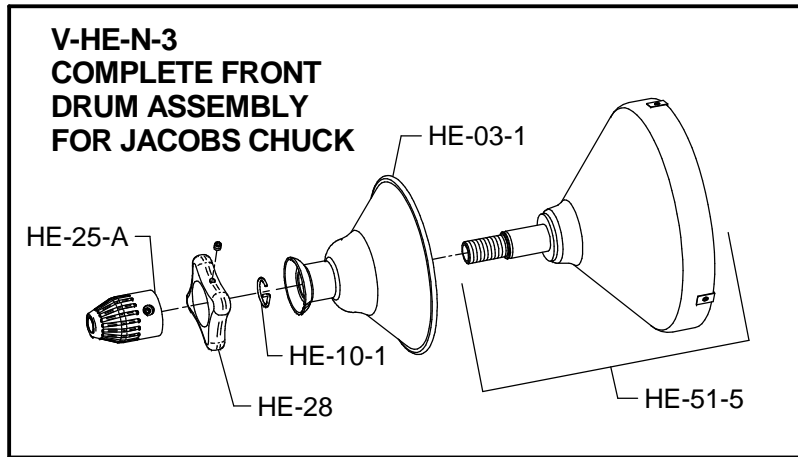


## HANDYELECTRIC PARTS LIST

ITEM NO.	CATALOG NO.	DESCRIPTION	ITEM NO.	CATALOG NO.	DESCRIPTION
140710	HE-M-S	Skil Variable Speed Motor (Model #81596)	140375	HE-25-B	Collet Chuck
140715	HE-M-S3	Skil Variable Speed Motor (Model #6355-GWS)	140355	HE-25-C	Quick Grip Chuck Knob
133060	HE-M-S4	Skil Variable Speed Motor #6320-O	140360	* HE-25-28-A	Jacobs Chuck & Handle Assembly (Includes HE-25-B & HE-28)
140820	V-HE-N-3	Complete Front Assembly for Jacobs Chuck	140370	HE-25-28-B	Collet Chuck & Handle Assembly (Includes HE-25-B & HE-28)
140805	C-HE-N-3	Complete Front Assembly for Collet Chuck	140385	HE-26	Quick Grip Chuck Grippers (3)
140807	C-HE-N-4	Complete Front Assembly for Quick Grip Chuck	140390	HE-27	Quick Grip Chuck Retaining Ring
140046	HE-51-4	Drum Front w/Flat Head Screws for Collet Chuck (Includes HE-51-A/B-2)	140400	HE-28	Chuck Tightening Handle
140044	* HE-51-5	Drum Front w/Flat Head Screws for Jacobs Chuck (Includes HE-51-A/B-2)	136030	HE-30-S	2-Wire Cord Set for Skil Motor #6355-GWS
140045	HE-51-6	Drum Front w/Flat Head Screws for Quick Grip Chuck (Includes HE-51-A/B-2)	135980	HE-30-4	Cord Set for Motor #6320-O
140052	HE-51-A/B-2	"U" Nuts & Flat Head Screws (3 per Set) (Use w/HE-51-4 & HE-51-5)	136100	HE-31-V-S	Trigger Switch Assembly for Skil Motor #81596
140100	HE-02-2	Drum Back (Serial #85359 & Up)	136090	HE-31-3	Trigger Switch Assembly for Skil Motor #6355-GWS
140120	* HE-03-1	Plastic Grip Shield	135990	HE-31-4	Trigger Switch Assembly for Motor #6320-O
140140	HE-04-B	Gear Case Body for Skil Motor #81596	140510	HE-32	Felt Washer
140150	HE-05	Gear Case Cap for Skil Motor #81596	141397	HE-33-3	Armature for Skil Motor #6355-GWS
140155	HE-05-1	Gear Case Cap & Shaft for Direct Drive Unit	140525	HE-35	Spacer Washer
104156	HE-05-1-A	Roll Pin	140550	HE-36-3	Brush Spring & Brush (2) Skil Motor #81596, Type 2
140160	HE-06	Internal Ring Gear	141440	HE-36-4	Integral Brush, Spring & Connector (2) Skil Motor #81596, Type 3
140180	HE-07-B	Pinion and Spindle Gear Assembly (for Skil Motor #81596)	140563	HE-36-5	Brush & Holder Set for Skil Motor #6355-GWS
141165	HE-08	Reverse Thread Screw for Direct Drive Unit	135960	HE-36-6	Brush & Holder Set for Motor #6320-O
141175	HE-08-1	Reverse Thread Screw for Motor #6320-O	140564	HE-37	Left & Right Handle Cover Set for Skil Motor #81596
140200	HE-09	Beveled Collar w/Set Screw	140565	HE-37-3	Left & Right Handle Cover Set for Skil Motor #6355-GWS
140210	* HE-10-1	Lock Ring (for Jacobs Chuck)	140569	HE-38	Motor Housing for Skil Motor #81596 - Discontinued
140213	HE-10-2	Collar w/Safety Set Screw	140571	HE-39-3	Holder for Brush & Spring Skil Motor #81596, Type 3
140240	HE-12	Spacer Washer	132215	HE-DECAL	Set of Safety Decals
140275	HE-16	Thrust Bearing for Motor #6355-GWS & #6320-O	133010	MCC	Carrying Case
140310	HE-21	Sheet Metal Screws (6 per Set)	130010	HECS	Handyelectric Cutter Set
140320	HE-22-1	Screws & Nuts for Hub (5)	120010	25HE1	Flexicore Cable, 1/4" x 25 ft. with EL Basin Head
140330	HE-23	Fillister Head Screws (4 per Set)	120160	25HE2	Flexicore Cable, 3/8" x 25 ft. with Female Connector
140350	HE-25-A	Jacobs Chuck	120070	25HE1A	Flexicore Cable, 5/16" x 25 ft. with EL Basin Head
			140840	BNDT	Band-It Splashguard

\*Part Number V-HE-N-3 includes all \* parts.

# HANDYELECTRIC SCHEMATIC DIAGRAM



*IMPORTANT: When ordering, give Serial Number of Machine.*