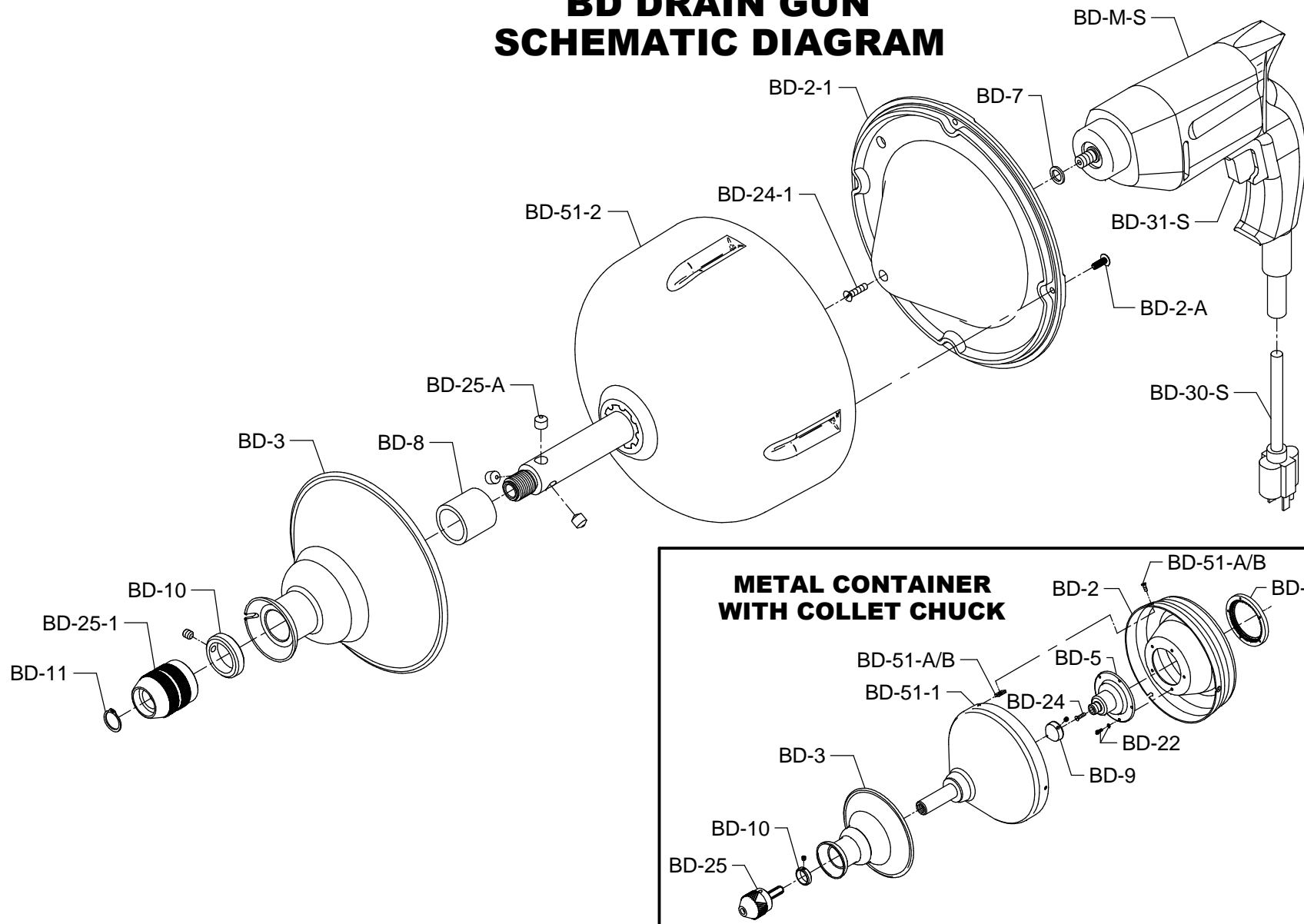


## BD DRAIN GUN PARTS LIST

CAT. NO.	DESCRIPTION	CAT. NO.	DESCRIPTION
BD-M-S	Variable Speed Skil Motor	BD-10	Spindle Sleeve (Includes BD-10-A)
BD-51-1	Container Front Assembly	BD-10-A	Set Screw
BD-51-A/B	"U" Nuts and Flat Head Screws (3)	BD-11	Snap Ring
BD-51-2	Plastic Container Front Assembly	BD-22	Machine Screws and Lock Washers (5)
BD-2	Container Back	BD-24	Reverse Thread Bolt
BD-2-1	Plastic Container Rear Assembly	BD-24-1	Reverse Thread Screw
BD-2-A	Screws (4)	BD-25	Collet Chuck
BD-3	Grip Shield	BD-25-1	Gripper Knob
BD-5	Gear Case Cap	BD-25-A	Grippers (3)
BD-6	Internal Ring Gear	BD-30-S	Cord Set for Skil Motor
BD-7	Plastic Drum Shim	BD-31-S	Trigger Switch
BD-8	Grip Shield Spacer	BD-DECAL	Set of Safety Decals
BD-9	Beveled Collar with 2 Set Screws		

# BD DRAIN GUN SCHEMATIC DIAGRAM



**IMPORTANT: When ordering, give Serial Number of Machine.**