

SPEEDROTER 90

Parts List and Diagrams

CATALOG NO.	DESCRIPTION	CATALOG NO.	DESCRIPTION
NOTE: PARTS FOR THE SPEEDROTER 90 WILL NOT INTERCHANGE WITH PARTS FOR THE OLD-STYLE SPEEDROTER.			
S90-100	Frame Complete	S90-118-C	Nuts, Bolts, and Washers (4)
S90-101	Frame Only with Axle	S90-118-D	Motor Mount Retaining Pin
S90-101-A	Spring Support Collar (2)	S90-118-E	Collar
S90-103	Stair Climber with Belt (1)	S90-118-F	Spring
S90-103-A	Nuts & Bolts for Stair Climber (2)	S90-119	Nuts & Bolts (2)
S90-103-B	Spacer for Stair Climber (2)	S90-120	Front Bearing Assembly
S90-107	Plated Handle Assembly	S90-120-A	Front Bearing Knob
S90-107-A	Handle - Left	S90-120-B	Bearing Base
S90-107-B	Handle - Right	S90-120-C	Bearing Cap
S90-107-C	5" Handle Wheel	S90-120-D	Mounting Bolts and Washers (2)
S90-107-D	Axle for Handle Wheel	S90-120-E	Hinge Pin
S90-107-E	Bushings for Handle Wheel (2)	S90-130	Rear Drum Shaft Clamp
S90-107-F	Felt Washers (2)	S90-130-A	Drum Clamp Knob
S90-107-G	Bolt and Nut (2)	S90-130-B	Drum Clamp Base
S90-107-H	Set Screws (2)	S90-130-C	Drum Clamp Cap
S90-108	Brake Rod	S90-130-D	Mounting Bolts (2)
S90-108-A	Roll Pin	S90-130-E	Hinge Pin
S90-109	Brake Rod Handle with Knob	S90-150	Hinged Motor Mount Modification Kit (Includes S90-117-1, 118-1, 119)
S90-109-A	Knob for Brake Rod Handle	S90-400	Small Drum Complete with Shaft and Distributor Tube (15")
S90-109-B	Roll Pin	S90-402	Drum Shell
S90-109-C	Brake Rod Latch with Screws	S90-404	Drum Hub with Bearings
S90-110	10" Wheel with Retaining Cap (1)	S90-404-A	Bushings (2)
S90-111	Wheel Retaining Cap (2)	S90-410	Drum Connecting Cable (for 1/2" cables)
S90-112	Wheel Spacer Washers (2)	S90-410-A	Nut, Bolt, & Washer
S90-115	Axle	S90-420	Small Drum Distributor Tube Assembly
S90-116	Motor Support Springs (2)	S90-421	Distributor Tube Only
S90-117	Motor Support Slide Platform (Through Serial #S7A0198)	S90-422	Bushing
S90-117-1	Motor Support Slide Platform (Serial #S7A0199 & Over)	S90-423	Retaining Ring
S90-117-2	Motor Support Slide Platform for 3/4 hp Motors	S90-424	Thrust Bearing Race
S90-118	Motor Mounting Plate (Through Serial #S7A0198)	S90-425	Distributor Tube Retaining Bolt
S90-118-1	Motor Mounting Plate (Serial #S7A0199 & Over)	S90-430	Drum Shaft
S90-118-A	Belt Guard Ret. Bracket Disc.	S90-440	Inner Drum Cage
S90-118-B	Rear Motor Bumper	S90-440-A	Bushing

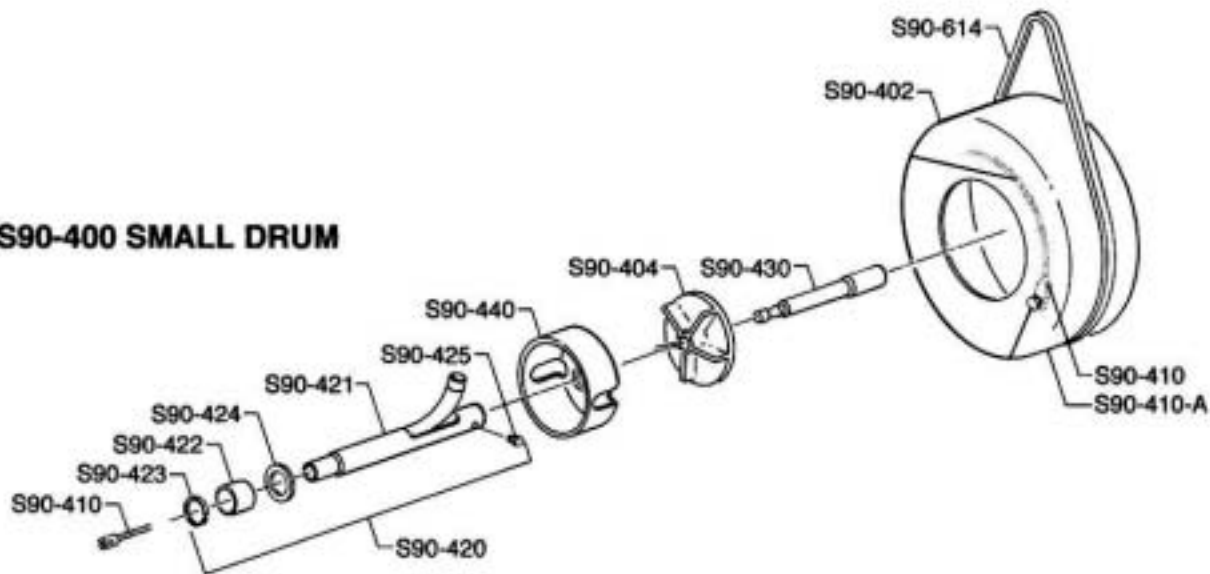
General Wire Spring Co.

SPEEDROOTER 90 Parts List and Diagrams

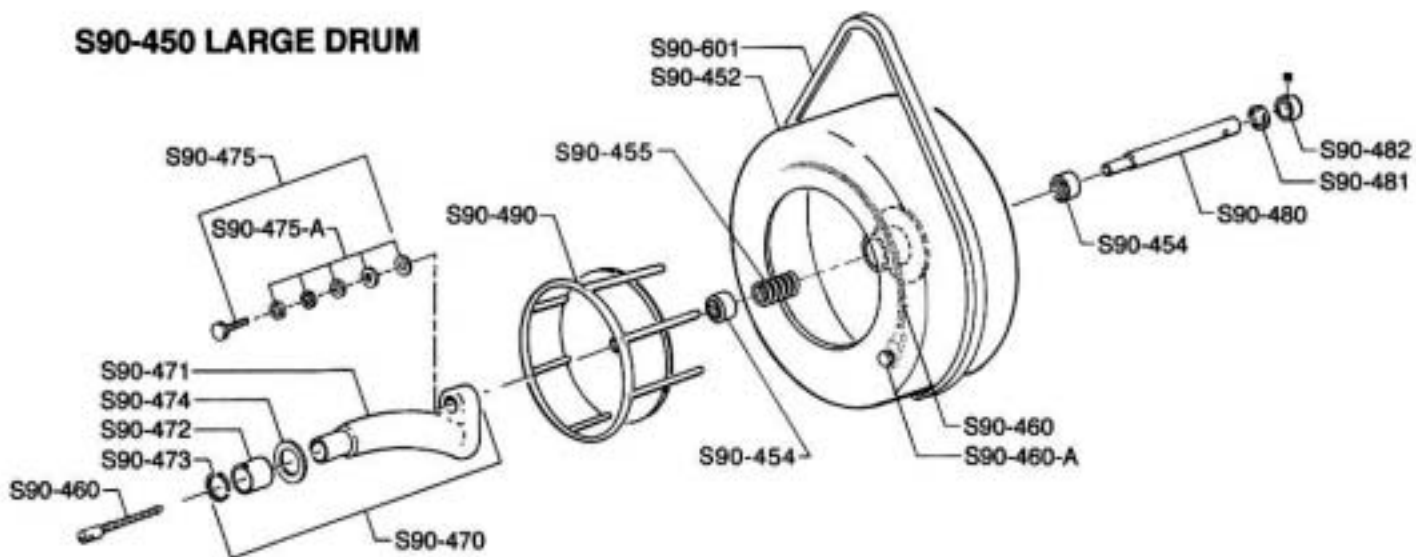
CAT. NO.	DESCRIPTION	CAT. NO.	DESCRIPTION
S90-450	Large Drum Complete with Shaft & Distributor Tube (18")	SPEEDROOTER 90 POWER CABLE FEED	
S90-452	Drum Shell	PO-S90/GT	Speedrooter 90 Power Cable Feed and Guide Tube
S90-454	Drum Hub Bearings (2)	S90-7101	Feed Body
S90-455	Bearing Spring	S90-7101-A	Lifting Spring
S90-460	Drum Connecting Cable (for 5/8" and 3/4" cables)	S90-7101-B	Guide Pins (2)
S90-460-A	Nut, Bolt, & Washer	S90-7102	Mounting Stud
S90-470	Drum Distributor Tube Assembly	S90-7103	Mounting Knob
S90-471	Distributor Tube Only	S90-7104	Spout and Retaining Cover
S90-472	Bushing	S90-7105	Steel Washer
S90-473	Retaining Ring	S90-7200	Top Roller Assembly
S90-474	Thrust Bearing Race	S90-7210	Top Carrier Only
S90-475	Distributor Tube Retaining Knob with Bearing Assembly	S90-7220	Swing Pin
S90-475-A	Bearing Assembly for Retaining Knob	S90-7225	Feed Roller Shaft
S90-480	Drum Shaft	S90-7250	Feed Roller with Bearing
S90-481	Wear Washer	S90-7301	Feed Pressure Knob
S90-482	Spacer Collar with Set Screw	S90-7301-A	Limiting Nut
S90-490	Inner Drum Cage	S90-7315	Pressure Spring
S90-490-A	Bushing	S90-7330	Ball Bearing
S90-600	1/2 hp Motor Comp. with Air Foot Switch, Reverse Switch, & GFI	S90-7331	Ball Bearing Holder
S90-600-3/4	3/4 hp Motor Comp. with Air Foot Switch, Reverse Switch, & GFI	S90-7340	Top Cover
S90-601	V-Belt (64")	S90-7341	Cover Screws and Washers (3)
S90-602	V-Belt Pulley	S90-7400	Bottom Roller Assembly
S90-602-1	Slip Clutch (Optional)	S90-7410	Bottom Carrier Only
S90-603	Knob for Mounting Stud	S90-7420	Swing Pin
S90-604	20 ft. Power Cord with Ground Fault Interrupter	S90-7425	Bottom Roller Shaft
S90-605	Air Foot Switch and Reverse Switch Assembly	S90-7450	Bottom Roller with Bearing
S90-605-A	Box Only with Cover & Screws	S90-7530	Thrust Bearing
S90-605-B	Foot Pedal and Hose	S90-7540	Cable Adjustment Plate
S90-605-C	Cable Tie	S90-7541	Plate Screws and Washers (3)
S90-605-D	Foot Pedal Only	S90-7601	Feed Control Disc with Lever and Knob
S90-605-E	Power Switch Diaphragm	S90-7601-A	Lever and Knob
S90-605-F	Air Hose	S90-7635	Wave Washer
S90-605-G	Reverse Switch - 3-Way	S90-7703	Set of Feed Rollers (3)
S90-605-J	Barbed Adapter	S90-TB	Tool Box
S90-605-N	Strain Relief Nut	S90-GT	Guide Tube for Speedrooter 90
S90-609-1-1/2	Belt Guard (1/2 hp) with Slot	GTE	Guide Tube Extension
S90-609-1-3/4	Belt Guard (3/4 hp) with Slot	S90-DECAL	Set of Safety Decals
S90-614	Small Drum V-Belt (57")		

General Wire Spring Co.

S90-400 SMALL DRUM



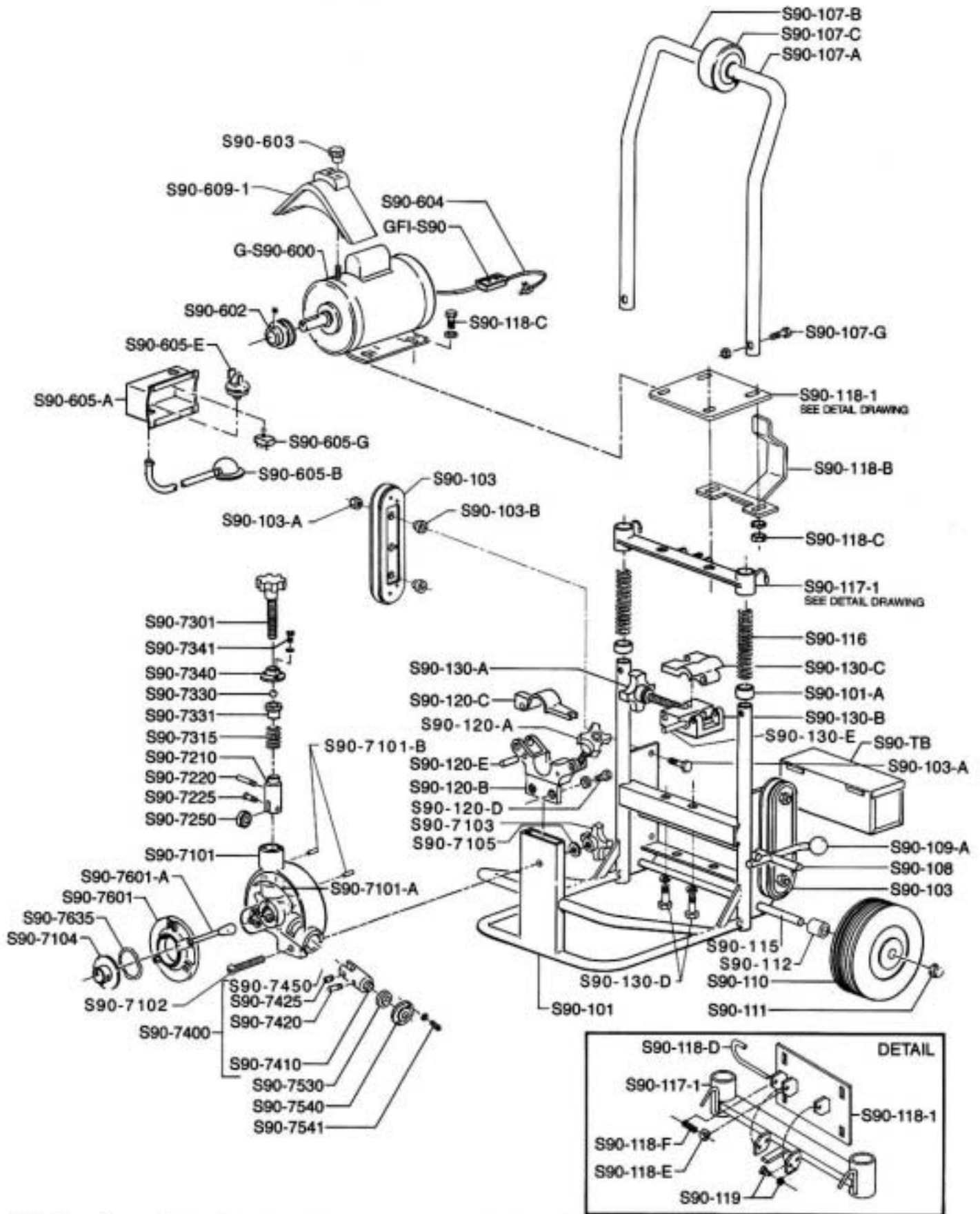
S90-450 LARGE DRUM



IMPORTANT: When ordering,

SPEEDROOTER 90

NOTE: PARTS FOR THE SPEEDROOTER 90 WILL NOT INTERCHANGE WITH PARTS FOR THE OLD-STYLE SPEEDROOTER.



give Serial Number of Machine