

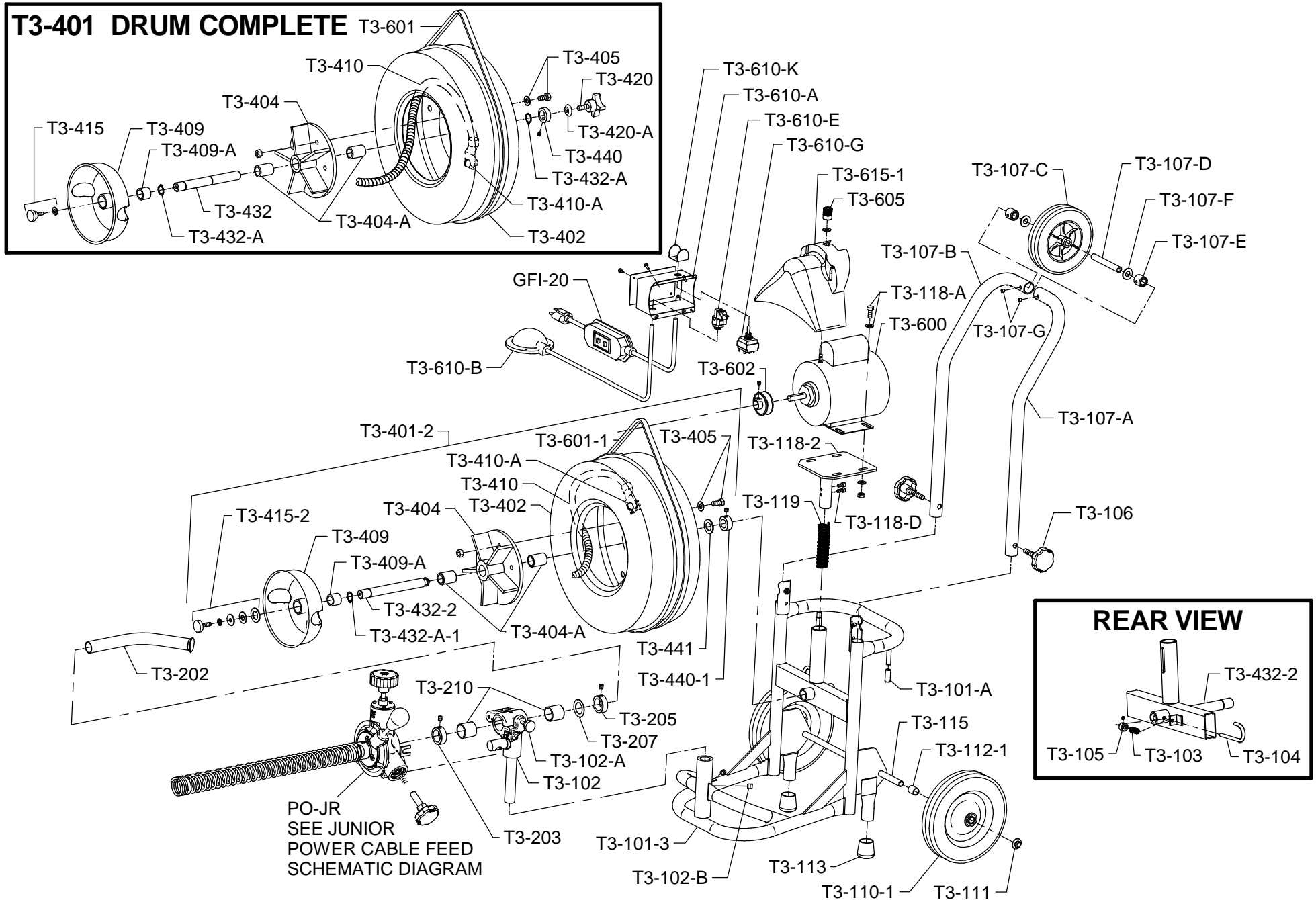
SEWERooter T-3 PARTS LIST

ITEM NO.	CATALOG NO.	DESCRIPTION	ITEM NO.	CATALOG NO.	DESCRIPTION
174401	T3-100-3	Frame Complete (Passive Brake) 10" Wheel	174485	T3-404	Drum Hub w/Bushings
174402	T3-101-3	Frame Only (for 10" Wheel w/Passive Brake)	174488	T3-404-A	Hub Bushings (2)
174585	T3-101-A	Rubber Cord Wrap Tips (2)	174491	T3-405	Hub Bolts, Nuts & Washers (5)
174404	T3-102	Distributor Tube Support Post & Clamp	174516	T3-409	Inner Drum Cage w/ Bushing
174408	T3-102-A	Post Locking Knob	174520	T3-409-A	Cage Bushing
174409	T3-102-B	3/8" Set Screws (3)	174524	T3-410	Drum Connecting Cable w/ Screws & Lock Nut
174410	T3-102-C	Roll Pin	174523	T3-410-A	Connecting Cable Screws & Lock Nut
174405	T3-103	Spring	174525	T3-415	Inner Drum Cage Retaining Knob w/Washer*
174412	T3-104	Shaft Retaining Pin	174526	T3-415-2	Inner Drum Cage Retaining Knob w/Washers^
174406	T3-105	Collar w/Set Screw	174528	T3-415-A	Washers^
174411	T3-106	Handle Locking Knobs (2)	174531	T3-420	Drum Retaining Knob w/Beveled Collar*
174413	T3-107	Handle Assembly	174535	T3-420-A	Rear Beveled Collar*
174407	T3-107-A	Left Handle	174540	T3-432	Drum Shaft*
174414	T3-107-B	Right Handle	174542	T3-432-2	Drum Shaft^
174416	T3-107-C	Handle Wheel	174544	T3-432-A	Shaft Retaining Ring*
174415	T3-107-D	Axle for Handle Wheel	174544	T3-432-A-1	Shaft Retaining Ring (for Passive Brake Frame)
174427	T3-107-E	Bushings (2)	174545	T3-440	Front Beveled Collar w/Set Screw*
174428	T3-107-F	Felt Washers (2)	174550	T3-440-1	Spacer Collar w/Set Screw^
174436	T3-107-G	Set Screws (2)	174546	T3-441	Wear Washer
174420	T3-110	8" Wheel w/Cap	174552	T3-600	Motor w/Foot Switch, Reverse Switch & GFCI
174437	T3-110-1	10" Wheel w/Cap	136190	T3-601	V-Belt 53" *
174422	T3-111	Wheel Retainer Cap	174556	T3-601-1	V-Belt 52" ^
174424	T3-112	Wheel Retaining Spacer (for Brake Rod Frame) (3)	174557	T3-602	V-Belt Pulley
174438	T3-112-1	Wheel Spacer (for Passive Brake Frame) (2)	136000	GFI-20	20' Power Cord w/GFCI
174439	T3-113	Rubber Leg Tips (2)	174558	T3-605	Belt Guard Knob
174426	T3-115	Axle	174559	T3-610	Foot Switch & Reverse Switch Assembly
174429	T3-118	Motor Support w/Bolts, Nuts & Washers*	174567	T3-610-A	Box Only w/Cover & Screws
174430	T3-118-1	Motor Support w/Bolts, Nuts & Washers^	136170	T3-610-B	Foot Pedal & Hose
174429	T3-118-2	Motor Support w/Bolts, Nuts & Washers (One Stem)^	174563	T3-610-C	Hose Clamp
174431	T3-118-A	Motor Support Bolts, Nuts & Washers (4)	136060	T3-610-D	Foot Pedal Only
174432	T3-118-1-B	Bolt & Nut (for Two Stem Motor Support)	136080	T3-610-E	Power Switch Diaphragm
174433	T3-118-1-C	Bolt & Washer (for Two Stem Motor Support)	136050	T3-610-F	Air Hose Only
174434	T3-118-D	Guide Screws (2)^	136130	T3-610-G	Reverse Switch (3-Way)
174435	T3-119	Motor Support Spring	174564	T3-610-K	Switch Guard
174445	T3-201	Distributor Tube Assembly	156395	T3-610-N	Strain Relief Nut
174455	T3-202	Distributor Tube Only	174580	T3-615-1	Belt Guard w/Slot for Stud
174460	T3-203	Front Collar w/Set Screw	146160	T3-GTE	Guide Tube Extension
174465	T3-205	Rear Collar w/Set Screw	146151	PO-JR	Junior Power Cable Feed
174470	T3-207	Thrust Bearing Race	132210	T3-DECAL	Set of Safety Decals
174475	T3-210	Distributor Tube Bushings (2)	130030	JRCS	Junior Cutter Set
174479	T3-401	Drum Complete*	121040	75EM2	Flexicore Cable, 3/8" x 75 ft. w/ Male & Female Conn.
174480	T3-401-2	Drum Complete^	121080	75EM3	Flexicore Cable, 1/2" x 75 ft. w/ Male & Female Conn.
174482	T3-402	Drum Shell	121090	100EM3	Flexicore Cable, 1/2" x 100 ft. w/ Male & Female Conn.

* For T3-401 Style Drum

^For T3-401-2 Style Drum

SEWERooter T-3 SCHEMATIC DIAGRAM



IMPORTANT: When ordering, give Serial Number of Machine.