

SEWERMATIC 100 PARTS LIST

CAT. NO.	DESCRIPTION	CAT. NO.	DESCRIPTION
STC-100-2	Complete Frame Assembly ●	STC-118-D	Support Angle
STC-101	Front Leg Casting ○	STC-118-F	Cam Assembly Complete
STC-101-2	Front Leg Casting ●	STC-119	Leg Support Rod
STC-102-1	Right Side Leg Casting ■	STC-119-A	3/4" x 3/8" Bolt (2)
STC-102-2	Right Side Leg Casting ●	STC-200	Drum Complete (Incl. Distributor Tube & Drum Connecting Cable)
STC-102-A	Locking Hinge for 5/16" Screw	STC-201	Drum Shell
STC-102-A-1	Locking Hinge for 3/8" Screw	STC-202	Distributor Tube w/Bushings & Locking Screws
STC-102-B	5/16" Thumb Screw	STC-202-A	Beveled Bushing for Distributor Tube
STC-102-B-1	3/8" Thumb Screw	STC-202-B	Rear Bushing for Distributor Tube
STC-102-C	Locking Hinge Pivot Screw	STC-202-C	1" x 2-5/8" Dia. Bushing for Distributor Tube
STC-103-1	Left Side Leg Casting ■	STC-202-D	Cable Locking Set Screw
STC-103-2	Left Side Leg Casting ●	STC-203	Front Drum Casting
STC-103-A	Locking Hinge for 5/16" Screw	STC-204-1	Drum Hub Casting
STC-103-A-1	Locking Hinge for 3/8" Screw	STC-204-1-A	Drum Hub Bushing
STC-103-B	5/16" Thumb Screw	STC-205-1	3/8" Bolt, Nut & Washers (8)
STC-103-B-1	3/8" Thumb Screw	STC-208-1	Drum Support Shaft
STC-103-C	Locking Hinge Pivot Screw	STC-208-A	Support Shaft Fiber Washer Front
STC-104-2	Saddle Casting ○	STC-208-B	Support Shaft Fiber Washer Rear
STC-104-2	Saddle Casting ●	STC-208-C	Snap Rings (2)
STC-104-A	Motor Support Set Screw (2)	STC-208-D	Drum Hub Fiber Washers (2)
STC-104-B	Pressure Plate	STC-209	2-3/4" Fiber Washer
STC-104-C	Pressure Plate Screw	STC-210	Drum Connecting Cable & Lug
STC-104-D	Front Belt Guard Locking Screw	STC-210-A	Connecting Cable Bolt, Nut & Washer
STC-104-E	1-3/4" x 1-1/2" Diameter Bushing	STC-600-6	3/4 hp Double Shaft Motor w/Rev. Switch & Foot Switch Assembly & GFCI ○
STC-104-F	1.75 OD x 1.5 ID x .875 L Bushing	STC-600-7	3/4 hp Double Shaft Motor w/Rev. Switch & Foot Switch Assembly & GFCI ●
STC-104-H	Steel Bearing	STC-601	Drum V-Belt (59")
STC-104-J	Grease Retainer □	STC-602	Motor Support Bolts (4), Nuts (4) & Washers (8)
STC-104-K	Guide Pins	GFI-20	20' Power Cord w/GFCI
STC-105-1	Hinged Drum Support Casting ■	STC-605-6	Complete Reverse Switch & Air Foot Switch Assy ◆
STC-105-2	Hinged Drum Support Casting ●	STC-605-6-A	Box Only w/Cover & Screws
STC-105/116	Hinged Drum Support Casting & Handle Assembly	STC-605-B	Foot Pedal & Hose
STC-105-A	Pillow Bearing w/Screws & Washers	STC-605-6-C	Hose Clamp
STC-105-B	Handle Locking Thumb Screw (2)	STC-605-D	Foot Pedal Only
STC-105-B-1	Handle Locking Plastic Thumb Screw (2)	STC-605-6-E	Power Switch Diaphragm
STC-105-C	Drum Latch, Nut, Bolt & Washer ★	STC-605-F	Air Hose Only
STC-105-C-1	New Style Drum Latch ‡	STC-605-6-G	Reverse Switch Only (3-Way)
STC-105-D	Drum Latch Retaining Spring ★	STC-605-6-J	Barbed Adapter
STC-105-E	Drum Latch Plastic Locking Knob w/Lock Washer ‡	STC-605-6-K	Switch Guard
STC-106	Square Tubular Frame Member	STC-605-6-N	Strain Relief Nut
STC-107	Stair Climber	STC-609	Front Motor Pulley
STC-107-A	Stair Climber Nut, Bolt & Spacer (2)	STC-610	Front V-Belt (36")
STC-108	6" Wheel	STC-611	Motor Support Casting
STC-109	Axle & Allen Screw	STC-612	Cord Wraps w/Nuts (4) & Rubber Tips (2)
STC-109-A	Wheel Locking Ring (2)	STC-616	Cord Clamp
STC-110-2	Motor Support Post (2) □	STC-617	Cord Clamp Screw (2)
STC-111	1-3/4" Frame Screw (5)	STC-618	Rear Motor Pulley w/Set Screw
STC-113	2-1/4" Frame Screw (4)	STC-619-1	Rear Belt Guard
STC-114	Frame Screw Washer (11)	STC-619-A	Retaining Spring for Rear Belt Guard
STC-115	3/8" Nut (4)	STC-619-B	Belt Guard Retaining Strap
STC-116-1	Complete Handle Assembly ‡	PO-ST1/GT	Power Cable Feed & Guide Tube ●
STC-116-A-1	Right Handle	ST1-GT	Guide Tube ●
STC-116-B-1	Left Handle	GTE	Guide Tube Extension
STC-116-C	6" Handle Wheel	STC-700	Clutch Assembly ○
STC-116-D	Handle Wheel Axle	STC-700-A	Assembled Clutch Assembly ○
STC-116-F-1	Rubber Leg Tip for Handle (2)	STC-701	Clutch Cone w/Thrust Bearing
STC-116-G	Handle Stop Bolt & Lock Nut (2)	STC-701-A	Thrust Bearing & Races
STC-116-H	Handle Wheel Felt Washers (2)	STC-701-B	Thrust Bearing Retaining Ring
STC-116-J	Handle Wheel Bushings (2)	STC-702	Inner Clutch Body
STC-117	Front Belt Guard	STC-702-A	Reinforcing Ring
STC-118	Cam Assembly Complete Ω		
STC-118-2	Motor Support Springs (2) ●		
STC-118-A	Plastic Knob		

- Part for Serial # S18K111 & Up
- Part for Serial # Up to ST8R611
- Part for Serial # 08387 to ST8R611
- Part for Serial # BST-384 & Up

- ★ Part for Serial # Up to 08386
- ‡ Part for Serial # 08387 & Up
- ◆ Part for Serial # 08508 & Up
- Ω Part for Serial # BST-384 thru ST8R611

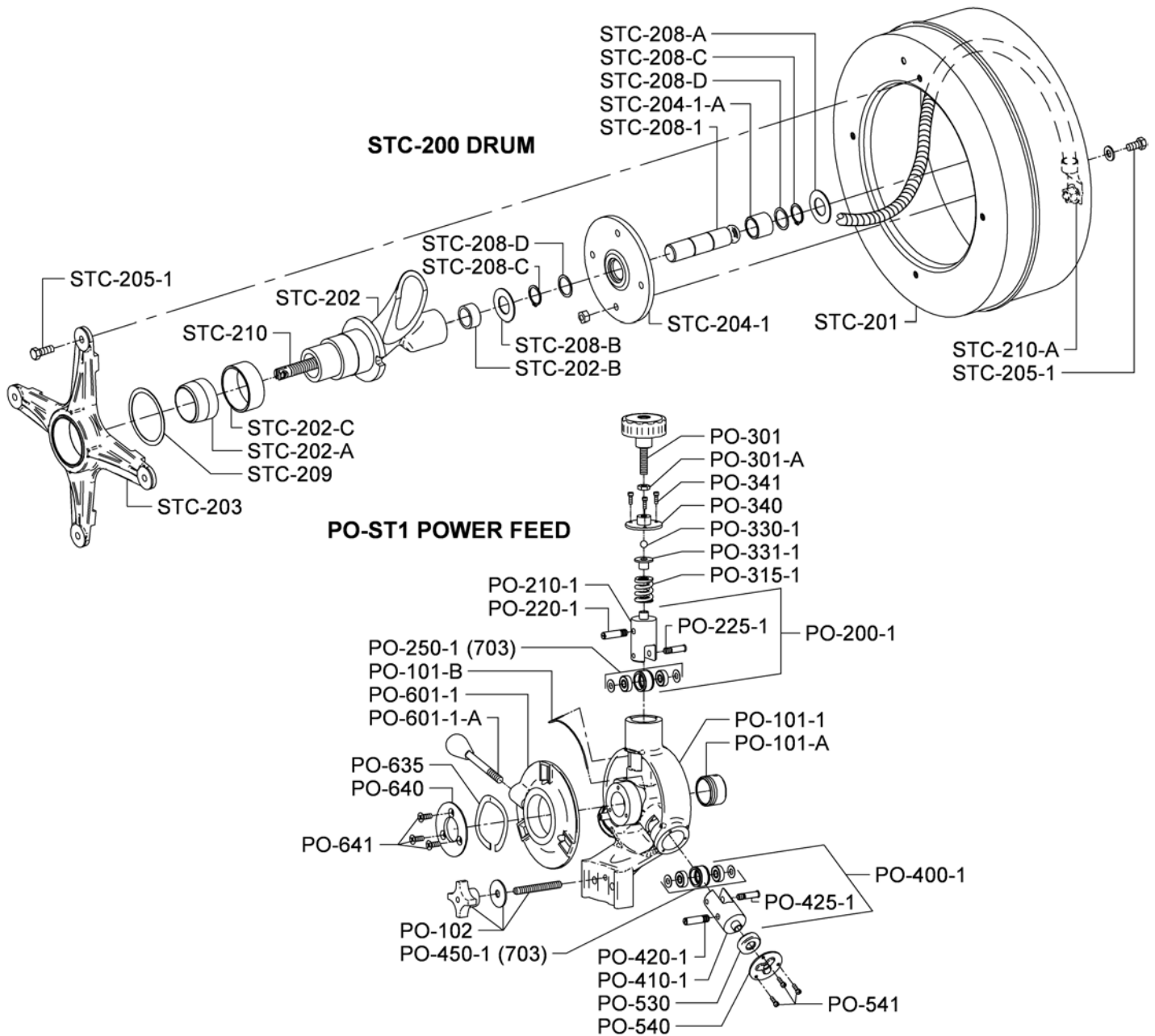
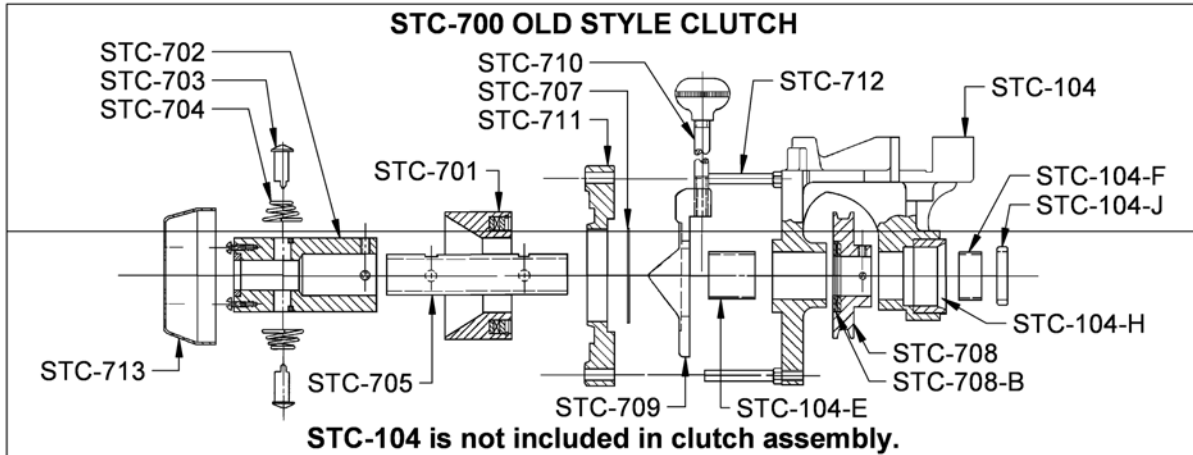
SEWERMATIC 100 - Continued

CAT. NO.	DESCRIPTION	CAT. NO.	DESCRIPTION
STC-702-B	Clutch Cover Screws (2)	STC-708-B	Clutch Pulley Thrust Bearing
STC-702-C	Cable Guide Aligning Ring	STC-709	Clutch Cam Casting
STC-702-D	Clutch Body Set Screw (2)	STC-710	Clutch Lever & Knob
STC-703	Universal Cable Guide Set, 2 pcs.	STC-711	Clutch Cam Follower
STC-704	Cone Springs (2)	STC-712	Cam Follower Guide Stud & Lock Nut (2)
STC-705	Clutch Shaft	STC-713	Clutch Cover
STC-707	Clutch Cam Casting Steel Plate	TB-STC	Tool Box
STC-708	Clutch Pulley w/Thrust Bearing	STC-DECAL	Set of Safety Decals
STC-708-A	Clutch Pulley Set Screw (4)		

- Part for Serial # S18K111 & Up
- Part for Serial # Up to ST8R611
- Part for Serial # 08387 to ST8R611
- Part for Serial # BST-384 & Up

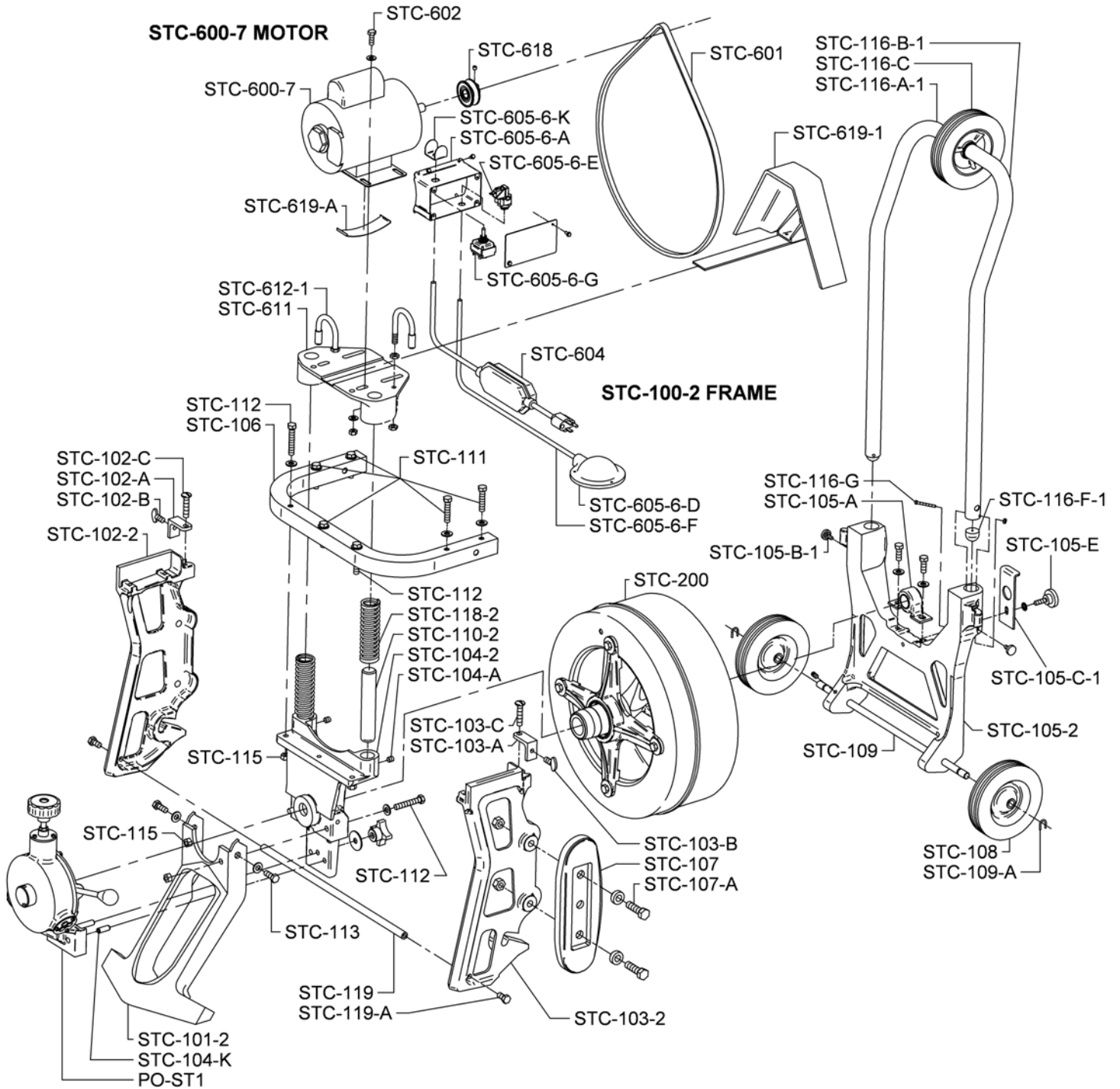
- ★ Part for Serial # Up to 08386
- ‡ Part for Serial # 08387 & Up
- ◆ Part for Serial # 08508 & Up
- Ω Part for Serial # BST-384 thru ST8R611

SEWERMATIC 100 SCHEMATIC DIAGRAM



IMPORTANT: When ordering, give Serial Number of Machine.

SEWERMATIC 100 SCHEMATIC DIAGRAM



IMPORTANT: When ordering, give Serial Number of Machine.