

Speedroter 92R[®]

Operating Instructions

For 3" through 10"
(75mm—250mm)



Your Speedroter 92R is designed to give you years of trouble-free, profitable service. However, no machine is better than its operator.

Read, understand and follow all safety warnings and instructions provided with the product. Failure to follow the warnings and instructions may result in electric shock and/or serious injury. Save all warnings and instructions for future reference.

SAVE THESE INSTRUCTIONS!

Pour français voir la page 9

Para ver el español vea la pagin  19

General

PIPE CLEANERS

GENERAL SAFETY RULES



WARNING

Read and understand operator's manual before using this machine. Failure to follow operating instructions could result in death or serious injury.

WARNING! Read and understand all instructions. Failure to follow all instructions listed below may result in electric shock, fire and/or serious personal injury. Replacement manuals are available upon request at no charge, or may be downloaded from our website, www.drainbrain.com. Instructional videos are available for download on our website, and may be ordered. If you have any questions or problems, please call General's customer service department at 412-771-6300.

SAVE THESE INSTRUCTIONS!

These instructions are intended to familiarize all personnel with the safe operation and maintenance procedures for the Speedrooter 92R.



This is the safety alert symbol. It is used to alert you to potential personal injury hazards. Obey all safety messages that follow this symbol to avoid possible injury or death.

DANGER

DANGER indicates a hazard with a high level of risk which, if not avoided, will result in death or serious injury.

WARNING

WARNING indicates a hazard with a medium level of risk which, if not avoided, could result in death or serious injury.

CAUTION

CAUTION indicates a hazard with a low level of risk which, if not avoided, will result in minor or moderate injury.

WARNING



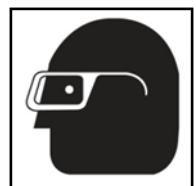
Electric shock resulting in death can occur if you plug this machine into an improperly wired outlet. If the ground wire is electrified, you can be electrocuted by just touching the machine, even when the power switch is off. A ground fault circuit interrupter will not protect you in this situation. Use a UL approved tester to determine if the outlet is safe.



Do not operate power tools in explosive atmospheres, such as in the presence of flammable liquids, gases, or dust. Power tools create sparks which may ignite the dust of fumes.



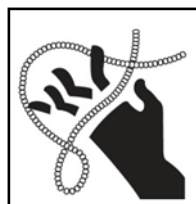
Only wear leather gloves. Never use any other type of glove, such as cloth, rubber, or coated gloves. Never grasp a rotating cable with a rag. These items could become wrapped around the cable and cause serious injury.



Always wear safety glasses and rubber soled, non-slip shoes. Use of this safety equipment may prevent serious injury.



Never operate machine with belt guard removed. Fingers can get caught between belt and pulley.



Do not overstress cables. Overstressing cables may cause twisting, kinking, or breaking of the cable and may result in serious injury.

GENERAL SAFETY RULES



WARNING

Read and understand all instructions. Failure to follow all instructions listed below may result in electric shock, fire, and/or serious injury.

SAVE THESE INSTRUCTIONS!

Work Area

1. **Keep work area clean and well lit.** Cluttered benches and dark areas invite accidents.
2. **Do not operate power tools in explosive atmospheres, such as in the presence of flammable liquids, gases, or dust.** Power tools create sparks which may ignite the dust or fumes.
3. **Keep bystanders, children, and visitors away while operating a power tool.** Distractions can cause you to lose control.

Electrical Safety

1. **Grounded tools must be plugged into an outlet, properly installed and grounded in accordance with all codes and ordinances. Never remove the grounding prong or modify the plug in any way. Do not use any adapter plugs. Check with a qualified electrician if you are in doubt as to whether the outlet is properly grounded.** If the tool should electrically malfunction or break down, grounding provides a low resistance path to carry electricity away from the user.
2. **Avoid body contact with grounded surfaces such as pipes, radiators, ranges and refrigerators.** There is an increased risk of electric shock if your body is grounded.
3. **Do not expose power tools to rain or wet conditions.** Water entering a power tool will increase the risk of electric shock.
4. **Do not abuse the cord.** Never use the cord to carry the tools or pull the plug from an outlet. Keep cord away from heat, oil, sharp edges or moving parts. Replace damaged cords immediately. Damaged cords increase the risk of electric shock.
5. **When operating a power tool outside use an outdoor extension cord marked "W-A" or "W".** These cords are rated for outdoor use and reduce the risk of electric shock.
6. **Test the Ground Fault Circuit Interrupter (GFCI) provided with the power cord to insure it is operating correctly before operating machine.** Machine must have a properly functioning ground fault circuit interrupter on the power cord. GFCI reduces the risk of electric shock.
7. **Extension cords are not recommended unless they are plugged into a Ground Fault Circuit Interrupter (GFCI) found in circuit boxes or outlet receptacles.** The GFCI on the machine power cord will not prevent electric shock from the extension cords.
8. **Only use proper three-wire extension cords in good condition which have three-prong grounding plugs and three-pole receptacles which accept the tool's plug.** Use of damaged, inferior, or other extension cords will not ground the tool. Increases the risk of electric shock and bodily injury or death.
9. **Keep all electric connections dry and off the ground.** Reduces the risk of electric shock.
10. **DO NOT touch plugs or tools with wet hands.** Reduces the risk of electric shock.

Personal Safety

1. **Stay alert, watch what you are doing and use common sense when operating a power tool. Do not use tool while tired or under the influence of drugs, alcohol, or medication.** A moment of inattention while operating power tools may result in serious personal injury.
2. **Dress properly. Do not wear loose clothing or jewelry. Contain long hair. Keep your hair, clothing, and gloves away from moving parts.** Loose clothes, jewelry, or long hair can be caught in moving parts.
3. **Avoid accidental starting. Be sure switch is off before plugging in.** Plugging in tools that have the switch on invites accidents.
4. **Remove adjusting keys or switches before turning the tool on.** A wrench or key that is left attached to a rotating part of the tool may result in personal injury.
5. **Do not overreach. Keep proper footing and balance at all times.** Proper footing and balance enables better control of the tool in unexpected situations.
6. **Use safety equipment. Always wear safety glasses.** Dust mask, non-skid safety shoes, hard hat, or hearing protection must be used for appropriate conditions.

Tool Use and Care

1. **Use clamps or other practical way to secure and support the workpiece to a stable platform.** Holding the work by hand or against your body is unstable and may lead to loss of control.
2. **Do not force tool. Use the correct tool for your application.** The correct tool will do the job better and safer at the rate for which it is designed.
3. **Do not use tool if switch does not turn it on or off.** Any tool that cannot be controlled with the switch is dangerous and must be repaired.
4. **Disconnect the plug from the power source before making any adjustments, changing accessories, or storing the tool.** Such preventative safety measures reduce the risk of starting the tool accidentally.
5. **Store idle tools out of reach of children and other untrained persons.** Tools are dangerous in the hands of untrained users.
6. **Maintain tools with care. Keep cutting tools sharp and clean.** Properly maintained tools, with sharp cutting edges are less likely to bind and are easier to control.
7. **Check for misalignment or binding of moving parts, breakage of parts, and any other condition that may affect the tool's operation. If damaged, have the tool serviced before using.** Many accidents are caused by poorly maintained tools.
8. **Only use accessories that are recommended by the manufacturer for your model.** Accessories that may be suitable for one tool may become hazardous when used on another tool.

Service

1. **Tool service must be performed only by qualified repair personnel.** Service or maintenance performed by unqualified repair personnel could result in injury.
2. **When servicing a tool, use only identical replacement parts. Follow instructions in the Maintenance section of this manual.** Use of unauthorized parts or failure to follow Maintenance Instructions may create a risk of electric shock or injury.

SPECIFIC SAFETY RULES



This is the safety alert symbol. It is used to alert you to potential personal injury hazards. Obey all safety messages that follow this symbol to avoid possible injury or death.



Electric shock resulting in death can occur if you plug this machine into an improperly wired outlet. If the ground wire is electrified, you can be electrocuted by just touching the machine, even when the power switch is off. A ground fault circuit interrupter will not protect you in this situation. Use a UL approved tester to determine if the outlet is safe.



Do not overstress cables. Overstressing cables may cause twisting, kinking, or breaking of the cable and may result in serious injury.

1. **Only wear leather gloves.** Never use any other type of glove, such as cloth, rubber, or coated gloves. Never grasp a rotating cable with a rag. These items could become wrapped around the cable and cause serious injury.
2. **Never operate machine with belt guard removed.** Fingers can get caught between belt and pulley.
3. **Do not overstress cables.** Keep leather-gloved hand on the cable for control when machine is running. Overstressing cables because of an obstruction may cause twisting, kinking, or breaking of the cable and may result in serious injury.
4. **Place the machine at a distance not greater than two feet from the opening.** Greater distances can result in cable twisting or kinking.
5. **Machine is designed for ONE-PERSON operation.** Operator must control foot switch and cable.
6. **Do not operate machine in reverse (REV).** Operating machine in reverse can result in cable damage and is used only to back cutting tool out of an obstruction.
7. **Keep hands away from rotating drum.** Do not reach into drum unless machine is unplugged. Hand may be caught in the moving parts resulting in serious injury.
8. **Be careful when cleaning drains where cleaning chemicals have been used.** Avoid direct contact with skin and eyes. Drain cleaning chemicals can cause serious burns as well as damage the cable.
9. **Do not operate machine if operator or machine is standing in water.** Will increase risk of electrical shock.
10. **Wear safety glasses and rubber soled, non-slip shoes.** Use of this safety equipment may prevent serious injury.
11. **Before starting each job, check that the cable in the drum is not broken or kinked, by pulling the cable out and checking for wear or breakage.** Always replace worn out (kinked or broken) cables with genuine GENERAL replacement cables.
12. **Only use this tool in the application for which it was designed. Follow the instructions on the proper use of the machine.** Other uses or modifying the drain cleaner for other applications may increase risk of injury.

Ground Fault Circuit Interrupter (GFCI)

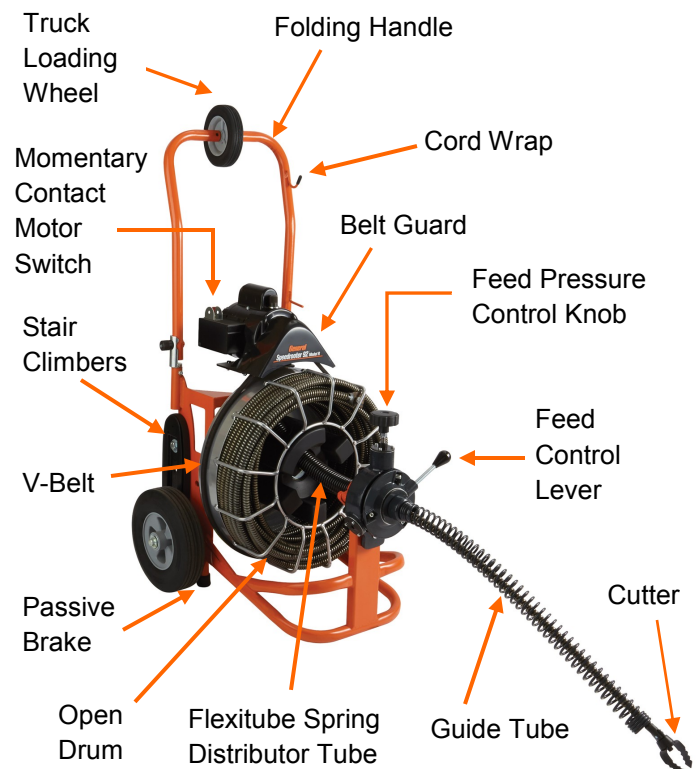
Your machine is equipped with a ground fault circuit interrupter, which protects you against shock if a short circuit should occur. Check that receptacle is properly grounded. Test the GFCI before each use.

1. Plug into 120-volt receptacle.
2. Push test button. Indicator light will go out and power to machine should cut off.
3. If light does not go out when test button is pushed, equipment should not be used until proper repairs can be made.
4. To restore power after test, push reset button. With the reset button depressed, if the machine doesn't start, stops while running, or if the operator experiences a mild shock, **do not use the machine!** Tag the machine out of service and take it to a motor repair center or return it to the factory for repairs.



THE SECTION OF CORD BETWEEN THE WALL PLUG AND THE GFCI IS NOT IN THE PROTECTED CIRCUIT.

FEATURES



Cable Application Chart (Table 1)

Cable Size	Pipe Size	Typical Applications
3/4"	4" to 10"	Large Drains, Long Runs, Roots
5/8"	3" to 6"	Floor Drains, Roots

Cutter Application Chart (Table 2)

Cutter	Cat. #	Typical Applications
Spear Head	SHD	Starting Drill—gets water flowing.
2" U-Cutter	2UC	For Cutting and Scraping
3" Heavy Duty Side Cutter Blades	3HDSC	For Cutting & Scraping walls of pipe.
3" Heavy Duty Saw Blade	3HDB	For Cutting Roots
Large Retrieving Tool	RTR-2	For removing loose objects or broken cables.

Note: There are no fixed rules for what cutter to use. If one tool doesn't take care of a stoppage, simply try another.

OPERATION

SET-UP



MAKE SURE THE MOTOR SWITCH IS IN THE 'OFF' POSITION!

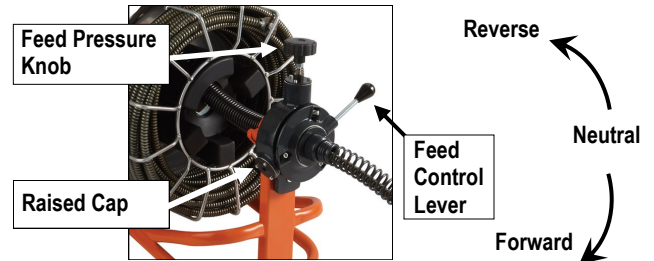
- Place machine at a distance not greater than two feet (.6m) from the drain opening. Be sure the Speedroter Guide Tube (S92-GT) is in place. If you can't get the machine this close to the drain opening, run the cable through the optional Guide Tube Extension (GTE) or a metal guide tube to prevent cable whipping.
- Position the air foot pedal for easy accessibility. The machine is designed for one-person operation. Be sure you can quickly remove your foot from the pedal in an emergency.
- Be sure the motor switch is in the **off** position.
- Make sure the Power Cable Feed is set to match the cable size you have selected. If you're using 3/4" or 5/8" cables, the feed should be assembled with the raised side of the lower two caps outward.
- Select the proper cutting tool (See Cutter Application Chart—Table 2). A good tool to start with is the Spearhead or 2" U-Cutter. If you are having difficulty getting around a P-Trap or close bend, try the flexible leader. After the line has been opened, follow with larger blades, which scrape the inside edges of the pipe, assuring a real cleaning job.



- Insert the cutter into the female connector at the end of the cable and tighten the connecting screw and lock washer **firmly** in place.

OPERATION

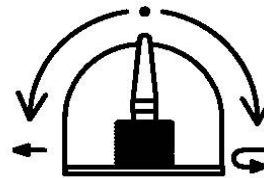
- Before stepping on the foot pedal, place the guide tube and cable into the drain opening.
- Tighten the knob at top of the Power Cable Feed so that the feed roller presses against the cable. Be sure not to over tighten since this could cause excess cable wear.
- The feed lever controls the feeding rate and direction of the cable. Move the lever down to feed cable out of drum. The further the lever is moved downward, the faster the cable will feed out.



Move lever up to retract cable into drum. When the lever is in the middle (neutral) position, cable will spin in place.

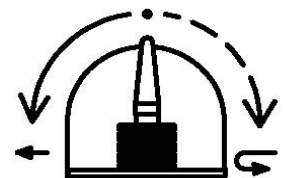
- Move the motor switch to the **forward** position.
- With a gloved hand on the Guide Tube, step on the air foot pedal to start machine. Feed the cable into the line. Adjust the feeding rate to the resistance met. Do not force the cable - let the cutter do the work. The job won't go any faster and you could damage the cable and you could injure yourself.
- If the cable starts to buckle or twist, release pressure on the foot pedal. Move the feed lever up and step on the foot pedal to retract excess cable back into the drum, then continue.
- If you're having trouble getting around tight bends, try putting the machine in reverse for several seconds while applying steady pressure. If your machine is equipped with a momentary contact reverse switch, you must hold the switch in the reverse position.

MOTOR SWITCH



FORWARD - OFF - REVERSE

MOMENTARY CONTACT SWITCH



FORWARD - OFF - HOLD to REVERSE

- If you still cannot get the cable getting around a bend, you may be using too large a cable. Switch to a 5/8" cable, or smaller machine. (See Cable Application Chart—Table 1)
- When the cable reaches the stoppage, move the feed lever toward neutral to allow the cable to progress forward slowly, chewing into the stoppage as it goes. This slow forward movement will reduce stress on the cable while doing a more thorough cleaning job. A back and forth action often works best.

Hint: It's often helpful to have a small stream of water running in the line to wash the cuttings away while the machine is in operation and after.

10. Be careful not to let the cutter get caught in the stoppage as you work through it. This can cause kinking and breaking of the cable. When you feel the cable starting to twist, stop the machine and retract the cable. This will free the cutter from the obstruction. Then allow the cable to move forward slowly into the stoppage. Remember, no cutting takes place when the blades stop turning.
11. After the line has been opened, retract the cable by moving the feed lever up. Make sure the motor switch is in the **forward** position.
12. When you hear the end of the cable near the drain opening, take your foot off of the pedal to stop drum rotation. Never retract the cutter from the drain while the cable is rotating. The cable could whip and cause serious injury. Do not retract cutter into the guide tube.

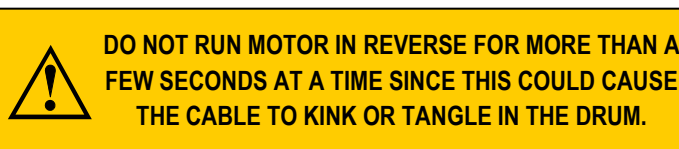


SPECIAL OPERATIONS

IF CABLE GETS CAUGHT IN LINE

The motor can be reversed for a few seconds at a time to free the cable if it gets caught in line. (Note: if using Power Cable Feed, putting motor in reverse will cause the feed control lever to operate opposite of normal.)

1. Hold momentary contact motor switch in the reverse position.
2. Step on the foot pedal while pulling on the cable.
3. After cable is loose, move the motor switch back into forward position.



IF CABLE TANGLES IN DRUM

This is caused by using too much pressure, running the machine in reverse, or a poorly lubricated or frozen roller in the feed. To untangle the cable, rotate the drum in opposite direction (See Feed Maintenance). This will usually get the cable to lie in the drum properly.

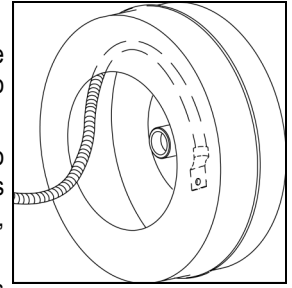
If the cable has become badly tangled, which shouldn't occur if used properly, it may be necessary to pull the entire cable out of the drum and reinstall it. (See "How to Install Cable" section.)

HOW TO INSTALL CABLE IN DRUM



1. Connect the male end of the cable to the drum connecting cable already attached to the drum.

2. Remove the V-Belt.
3. Turn the drum clockwise with one hand while pushing the cable into the drum with the other.
4. Be certain that the cable goes into the drum in a clockwise direction as you look at the front of the machine, or the cable will tangle in the drum.
5. Replace the V-Belt after cable is installed.



Note: The cable should lay in the drum in a clockwise direction.



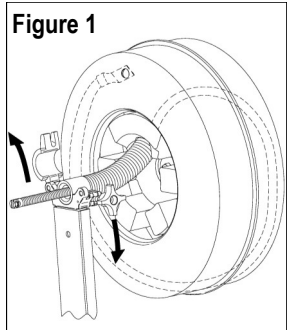
HOW TO REMOVE DRUM



DISCONNECT MACHINE FROM POWER SOURCE BEFORE REMOVING DRUM FROM MACHINE!

1. Remove belt guard by loosening the knob above the motor and pulling the guard forward.
2. Push the motor down far enough to slide the V-Belt off of the drum.
3. Remove the cutter and connecting screw from the cable end.
4. Loosen the knob at the top of the Power Cable Feed.
5. Unscrew knob behind the front post and pull the Power Cable Feed off of the machine.
6. With one hand on the cable, loosen the knob on front post cap, then open clamp. The Flexitube may spring up out of the cap. (See Figure 1.)
7. Use a 3/4" socket with extension to loosen and remove the drum retaining bolt.
8. Tip the Speedrooter on its side.
9. Remove the drum retaining bolt with 3/4" socket with extension.
10. Stand behind the machine, lift the frame slightly off the ground, and slide the frame away from the drum until the drum is off the shaft.
11. Then, roll the drum away from the machine.

Figure 1



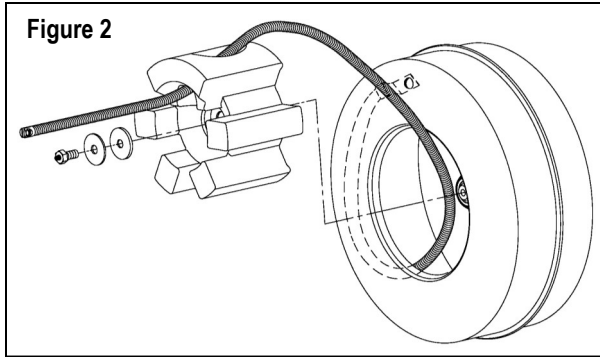
HOW TO INSTALL DRUM



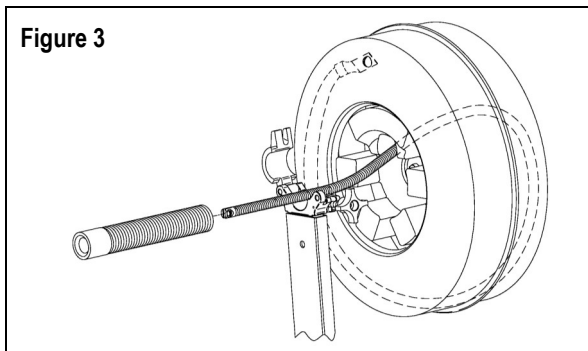
DISCONNECT MACHINE FROM POWER SOURCE BEFORE INSTALLING DRUM ON MACHINE!

1. Lay the machine frame on its side and roll the drum, with inner drum installed, between the front post and drum shaft. Be sure the front of the drum is facing the front post.
2. While standing behind the frame, line the drum shaft up with the hole in the back of drum, slightly lift the frame, and slide the drum shaft into the back of the drum until it contacts the thrust washer on the shaft. Make sure the needle roller bearings inside the hub of the drum stay in place.
3. Thread the drum retaining bolt into the drum shaft, just finger tight.

- Stand the machine upright, then tighten the retaining bolt with a 3/4" socket with extension. (See Figure 2)



- Slide the V-Belt (62") over the drum and hang it from the slip clutch. Push down on the motor enough to slide the V-Belt onto the drum.
- Pull about 12" of cable out beyond the front post.
- Slide the Flexitube, spring end first, onto the cable and into the inner drum. (See Figure 3)



- Then guide the knurled portion of the Flexitube spring into the front post clamp. (See photo)
- With one hand on the cable in front of the front post, push the cable down to secure the Flexitube in position with the clamp. Make sure the Flexitube seats properly over the guide pin in the base of the clamp.
- Then, close the clamp and tighten the knob with your other hand.
- Slide the Power Cable Feed over the cable and align the bolt with the hole in the front post and the guide pins with the holes in the clamp. When flush with the front post, secure with bolt and washer behind the front post.
- Slide the belt guard over the stud on top of the motor and tighten the knob.



MAINTENANCE



To keep your machine operating smoothly, it is essential that all bearings be lubricated. Oiling moving parts is particularly important where machine comes in contact with sand, grit and other abrasive material.

CABLE MAINTENANCE

To get maximum service from your cables, be sure that they are clean and well oiled. This not only provides running lubrication but greatly extends the life of the cables as well. Some users periodically pour oil directly into the drum. Then, as the drum turns, the cables get complete lubrication. Our SNAKE OIL is ideally suited for this purpose, since it not only lubricates the cables, it deodorizes them as well.



FEED MAINTENANCE

Keep feed free of excessive soil and grit. It is recommended that the feed be flushed with fresh water followed by a light oiling of the moving parts. No disassembly is normally required. Failure to feed can usually be traced to the following possibilities:

DIRT ACCUMULATION

Over time, dirt can harden enough to stop roller rotation. Flushing with water followed by liberal oiling can usually restore function. If disassembly is required, proceed as follows:

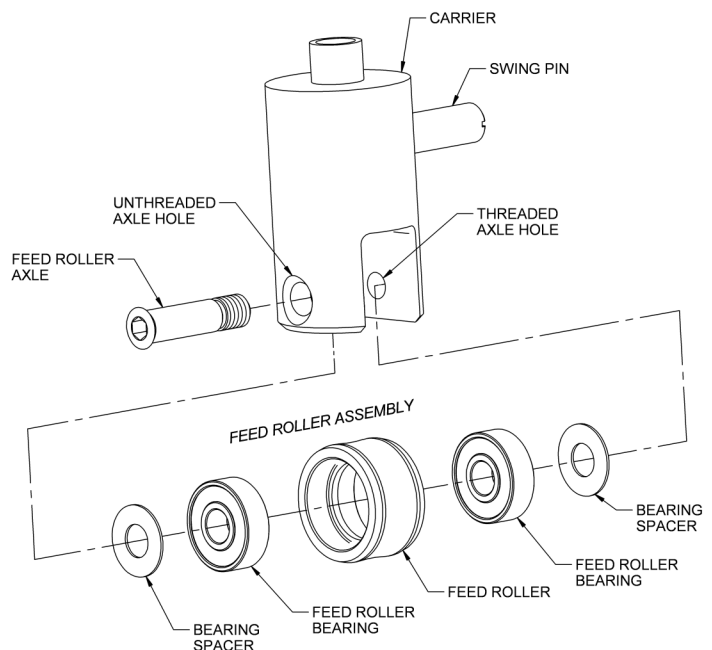
- Remove the feed tension knob, springs and spring plunger. Note the positioning of these parts to ease re-assembly. The top roller can now be removed.
- Remove the end caps and thrust washers from the bottom housing cylinders. The bottom rollers can now be removed.
- Re-assembly is done in reverse order.

DAMAGED ROLLER

Excessive use may wear a roller to the point of failure. It is recommended that all three rollers be replaced at the same time (Cat # PO-703). The replacement roller is an assembly consisting of one (1) Feed Roller, two (2) Feed Roller Bearings, and two (2) Bearing Spacers.

Note: The Bearing Spacers must be installed between the Carrier and each Feed Roller Bearing (as illustrated below) in order to ensure proper operation and to obtain maximum Feed Roller life.

To Replace the Feed Roller Assembly:



1. Remove the Feed Roller Assembly by unscrewing and removing the Feed Roller Axle.
2. For convenience, the components are assembled and wired together at the factory. Before attempting to install the assembly, hold the assembly together and remove the wire.
3. While still holding the Feed Roller Assembly together, insert it into the slot opening of the Carrier.
4. In order to help align the Spacers and Bearings, insert a pencil point or similar object through the **un-threaded** end of the Axle hole in the Carrier. After removing the pencil point, continue to maintain the alignment of the components.
5. The Feed Roller Axle should then be inserted through the same un-threaded Axle hole and should continue to be guided through the Spacers and Bearings to the threaded Axle hole on the other side of the Carrier.
6. Securely tighten the Axle to the Carrier with a 3/16" allen wrench.

TANGLED CABLE

If a cable loops over itself in the drum, it will not feed properly. Remove and reload the cable to restore function. If the cable kinks, it is evidence of abuse and results from the use of too much pressure or use of the wrong size cable for the line. Do not force the cable — let the cutter do the work.

TROUBLE SHOOTING GUIDE (Table 3)		
Problem	Probable Cause	Solution
Cable kinks or breaks.	Operator forcing the cable.	Do not force the cable. Let the cutter do the work.
	Too much slack between machine and drain.	Allow no more than two feet between machine and drain.
	Cable used in wrong size drain line.	A cable that is too large or too small in diameter for a line is more likely to kink. (Consult Table 1—Cable Applications.)
	Cable exposed to acid.	Clean and oil cables regularly.
Cable tangles in drum.	Operator forcing the cable.	Do not force the cable. Let the cutter do the work.
	Machine running in reverse.	Do not run the machine in reverse to retract the cable from the drain.
Drum stops while foot pedal depressed.	Hole in pedal or hose.	Replace as required.
	Hole in diaphragm switch.	If no hole found in pedal or hose, replace diaphragm switch.
Drum turns in one direction but not other.	Reverse switch failure or momentary contact switch.	Replace switch. Note: Momentary contact switch must be held in position to use reverse.
Ground fault circuit interrupter trips and will not reset.	Damaged power cord or extension cord.	Replace cords.
	Short circuit in motor.	Take motor to authorized repair center.
	Faulty ground fault circuit interrupter.	Replace ground fault circuit interrupter.
Motor turns but drum does not.	Safety Slip Clutch engaged.	Do not force cable.
Failure to feed.	Cable tangled in drum.	Do not run machine in reverse. Use proper cable size. (Consult Cable Application Chart—Table 1).
	Feed misadjusted.	If feed tension knob is too loose the cable will slip. If it is too tight the feed rollers will wear prematurely.
	Feed roller frozen.	Clean and lubricate feed rollers regularly. Replace worn rollers.
	Worn cable.	When cable coils wear flat, cable should be replaced.

See pages 29 - 31 for Parts Lists and Schematic Diagrams.

Speedrooter 92R[®]

Manuel d'instructions

Pour canalisations de 3 à 10 pouces
(75mm—250mm)



Votre débouchoir Speedrooter 92 est conçu pour vous procurer de nombreuses années de service fiable et rentable. Toutefois aucun appareil ne peut donner son plein rendement si l'opérateur ne le connaît pas à fond.

Lisez, comprenez et respectez toutes les consignes de sécurité et instructions fournies avec ce produit. Le fait de ne pas suivre ces consignes et instructions risquerait de provoquer une électrocution et/ou des blessures graves. Conservez ces documents pour future référence.

CONSERVEZ CES INSTRUCTIONS !

General
PIPE CLEANERS



AVERTISSEMENT

Lisez et comprenez le manuel d'instructions avant d'utiliser cette machine. Le fait de ne pas respecter son contenu risque d'entraîner des blessures graves ou mortelles.

AVERTISSEMENT ! Lisez attentivement toutes les instructions. Le fait de ne pas suivre toutes les instructions risque de provoquer une électrocution, un incendie et/ou des blessures graves. Des manuels de rechange peuvent être obtenus gratuitement sur demande, ou téléchargés à partir de notre site Internet, www.drainbrain.com. Des films d'instruction peuvent également être téléchargés de notre site Internet ou nous être commandés. En cas de question ou de problème, veuillez contacter le service clientèle de General au 412-771-6300.

CONSERVEZ CES INSTRUCTIONS !

Ces instructions ont pour objet de familiariser tous les employés avec l'utilisation et l'entretien sans danger du Speedrooter 92R.

SYMBOLES DE SÉCURITÉ



Ce symbole de sécurité vous avertit de l'existence d'un danger pour votre sécurité personnelle. Respectez toutes les consignes de sécurité suivant ce symbole afin d'éviter des blessures graves ou

DANGER

DANGER signale un danger de haut risque qui, s'il n'est pas évité, entraînera des blessures graves ou mortelles.

AVERTISSEMENT

AVERTISSEMENT signale un danger de risque moyen qui, s'il n'est pas évité, peut entraîner des blessures graves ou mortelles.

MISE EN GARDE

MISE EN GARDE signale un danger de faible risque qui, s'il n'est pas évité, entraînera des blessures de faible ou moyenne gravité.

AVERTISSEMENT



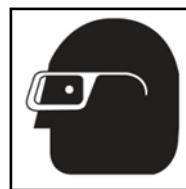
L'appareil doit être branché dans une prise correctement mise à la terre. À défaut de suivre ces instructions, il peut s'ensuivre un choc électrique et la mort. Si le fil de mise à la terre est électrisé, vous pouvez être électrocuté par un simple contact avec l'appareil et ce, même si l'interrupteur est à Arrêt (Off). Dans ce cas, le disjoncteur de fuite à la terre ne peut pas vous protéger. Utilisez un testeur certifié UL pour vérifier si la prise de courant est sécuritaire.



N'utilisez jamais des outils motorisés dans une atmosphère explosive générée par des liquides inflammables, des gaz ou de la poussière. Les outils électriques provoquent des étincelles qui risquent d'enflammer la poussière ou les vapeurs.



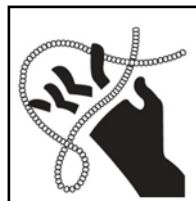
Ne portez que des gants en cuir. N'utilisez aucun autre type de gants, en tissu, caoutchouc ou enduit. Ne saisissez jamais un câble en mouvement avec un chiffon ; ces matériaux peuvent s'enrouler autour du câble et causer des blessures graves.



Portez toujours des lunettes de sécurité et des chaussures à semelles de caoutchouc antidérapantes. L'emploi de ces équipements de sécurité peut empêcher des blessures graves.



Ne faites jamais fonctionner l'appareil si le garde-courroie est enlevé. Les doigts se prennent facilement entre la courroie et la poulie.



Ne forcez jamais les câbles exagérément. Une tension excessive peut causer la torsion, le vrillage ou la rupture du câble et pourrait provoquer des blessures graves.

CONSIGNES DE SÉCURITÉ GÉNÉRALES

AVERTISSEMENT !

Lisez attentivement toutes les instructions. Le fait de ne pas suivre toutes les instructions risque de provoquer une électrocution, un incendie et/ou des blessures graves.

CONSERVEZ CES INSTRUCTIONS !

SÉCURITÉ DU SITE

1. **Conservez l'espace de travail propre et bien éclairé.** Des établis encombrés et des zones mal éclairées sont causes d'accident.
2. **N'utilisez jamais des outils motorisés dans une atmosphère explosive générée par des liquides inflammables, des gaz ou de la poussière.** Ces outils produisent des étincelles qui peuvent allumer les vapeurs inflammables ou les poussières.
3. **Ne laissez pas les curieux, les enfants et les visiteurs s'approcher quand vous faites fonctionner un outil motorisé.** Des distractions pourraient vous faire perdre le contrôle.

ÉLECTRICITÉ ET SÉCURITÉ

1. **Les outils mis à la terre doivent être branchés dans une prise de secteur correctement installée et mise à la terre conformément à tous les codes et décrets. Ne retirez jamais le plot de mise à la terre et ne modifiez la prise en aucune façon. N'utilisez pas de prise-adaptateur. Consultez un électricien qualifié en cas de doute sur la bonne mise à la terre de la prise de secteur.** Si l'outil subit un mauvais fonctionnement ou une panne électrique, la mise à la terre offre un chemin de faible résistance éloignant le courant de l'utilisateur.
2. **Votre corps ne doit pas toucher à des objets mis à la terre, tels les tuyaux, radiateurs, cuisinières ou réfrigérateurs.** Si votre corps se trouve mis à la terre, vous augmentez les risques de choc électrique.
3. **N'utilisez pas d'outils électriques mouillés ou sous la pluie.** L'eau qui s'infiltré dans un outil électrique augmente les risques de choc électrique.
4. **Attention au cordon électrique.** Ne transportez jamais un outil par le cordon et ne débranchez jamais un outil en tirant sur le cordon. Maintenez toujours le cordon éloigné de la chaleur, de l'huile, d'objets coupants ou de pièces en mouvement. Remplacez immédiatement un cordon endommagé, car cela augmente les risques de choc électrique.
5. **Servez-vous uniquement d'une rallonge électrique extérieure marquée « W-A » ou « W » lorsque vous utilisez un outil électrique dehors.** Ces rallonges sont homologuées pour un usage extérieur et réduisent le risque d'électrocution.
6. **Vérifiez que l'interrupteur de circuit de fuite à terre (GFCI) fourni avec le cordon fonctionne correctement avant d'utiliser la machine.** Celle-ci doit être reliée à un cordon avec GFCI en bon état de marche. Le GFCI réduit le risque d'électrocution.
7. **Les rallonges électriques sont déconseillées à moins d'être branchées dans une prise de courant protégée par un disjoncteur de fuite à la terre (GFCI) dans une boîte ou prise électrique.** Le disjoncteur de fuite à la terre du cordon de l'appareil n'empêche pas les chocs électriques qui pourraient être causés par une rallonge.
8. **Utilisez seulement des rallonges trifilaires en bon état avec fiches tripolaires dans une prise de courant tripolaire**

correspondant à la fiche de l'outil. L'utilisation de toute autre rallonge ou d'une rallonge endommagée n'assure pas la mise à la terre de l'outil et augmente le risque de choc électrique.

9. **Maintenez tous les branchements électriques au sec et au-dessus du sol.** Réduit le risque d'électrocution.
10. **NE touchez PAS les prises ou les outils avec des mains mouillées.** Réduit le risque d'électrocution.

SÉCURITÉ PERSONNELLE

1. **Ne vous laissez pas distraire, prêtez attention à ce que vous faites et usez de bon sens lorsque vous utilisez un outil électrique. N'utilisez pas cet outil si vous êtes fatigué ou sous l'influence d'une drogue, de l'alcool ou de médicaments.** Des blessures graves peuvent résulter d'un moment d'inattention.
2. **Habillez-vous correctement. Ne portez pas de bijoux ou de vêtements risquant de se prendre dans l'appareil. Éloignez les cheveux, vêtements et gants des pièces en mouvement.** Les vêtements lâches, les bijoux ou les cheveux longs peuvent facilement se prendre dans des pièces en mouvement.
3. **Prenez garde à tout démarrage accidentel. Vérifiez que l'interrupteur soit en position ARRÊT avant de brancher l'appareil.** Transporter des outils avec le doigt sur l'interrupteur ou brancher des outils avec l'interrupteur en position allumé crée un risque d'accident.
4. **Retirez toute clé ou outil d'ajustement avant la mise en marche.** Une clé ou tout autre outil laissés sur une pièce rotative peuvent causer des blessures.
5. **N'étendez pas trop les bras. Conservez votre équilibre en tout temps ainsi qu'un appui solide.** Un bon appui ainsi qu'un bon équilibre permettent de conserver un meilleur contrôle de l'outil en cas d'imprévu.
6. **Utilisez des équipements de sécurité. Portez toujours des lunettes de sécurité.** Un masque à poussières, des chaussures de sécurité antidérapantes, un casque ou une protection auditive peuvent être nécessaires selon l'application.

UTILISATION ET SOIN DE L'APPAREIL

1. **Servez-vous de pinces ou d'une autre méthode pour fixer et soutenir la pièce travaillée sur un support stable.** Tenir la pièce à la main ou contre votre corps ne fournit pas la stabilité nécessaire et risque de conduire à une perte de contrôle.
2. **Ne forcez pas cet outil. Utilisez le bon appareil pour telle application.** L'outil approprié effectue un meilleur travail, dans des conditions plus sécuritaires et à la vitesse pour laquelle il a été conçu.
3. **N'utilisez pas cet outil si l'interrupteur ne contrôle pas la mise en marche ou l'arrêt.** Un outil qui ne peut pas être contrôlé par l'interrupteur est dangereux et doit être réparé avant toute utilisation.
4. **Débranchez la prise de la source de courant avant de faire des réglages, de changer d'accessoire ou de ranger votre outil.** Cette mesure de prévention réduit les risques de démarrage accidentel de l'outil.
5. **Rangez les outils en attente hors de portée des enfants et des autres personnes inexpérimentées.** Les outils sont dangereux dans les mains d'utilisateurs inexpérimentés.
6. **Entretenez soigneusement vos outils. Affûtez et nettoyez la lame des outils de coupe.** Des outils correctement entretenus et dont la lame est tranchante ont moins de risque de se coincer et sont plus faciles à contrôler.

7. **Surveillez le désalignement ou le grippage des pièces mobiles, les bris de pièce ou toute autre condition qui peut nuire au bon fonctionnement de l'appareil. Si un outil est endommagé, faites-le réparer avant toute utilisation.** Plusieurs accidents sont causés par des outils mal entretenus.
8. **N'utilisez que les accessoires recommandés par le fabricant pour votre modèle.** L'accessoire qui convient à un outil peut devenir dangereux sur un autre.

Entretien et réparations

1. **Toute réparation de l'appareil ne doit être effectuée que par du personnel qualifié.** Des blessures peuvent résulter d'un travail effectué par du personnel non qualifié.
2. **Si un appareil doit être réparé, seules des pièces identiques d'origine doivent être utilisées. Suivez les instructions dans la section Entretien de ce manuel.** L'utilisation de pièces non autorisées ou le défaut de suivre les instructions d'entretien peuvent causer un choc électrique ou des blessures.

CONSIGNES DE SÉCURITÉ PARTICULIÈRES



Ce symbole de sécurité vous avertit de l'existence d'un danger pour votre sécurité personnelle. Respectez toutes les consignes de sécurité suivant ce symbole afin d'éviter des blessures graves ou mortelles.



L'appareil doit être branché dans une prise correctement mise à la terre. À défaut de suivre ces instructions, il peut s'ensuivre un choc électrique et la mort. Si le fil de mise à la terre est électrisé, vous pouvez être électrocuté par un simple contact avec l'appareil et ce, même si l'interrupteur est à Arrêt (Off). Dans ce cas, le disjoncteur de fuite à la terre ne peut pas vous protéger. Utilisez un testeur certifié UL pour vérifier si la prise de courant est sécuritaire.



Ne forcez jamais les câbles exagérément. Une tension excessive peut causer la torsion, le vrillage ou la rupture du câble et pourrait provoquer des blessures graves.

1. **Portez uniquement des gants en cuir.** N'utilisez jamais d'autres types de gants, tels que gants en toile, en caoutchouc ou en tissu enduit. Ne saisissez jamais un câble en rotation avec un chiffon. Ces objets peuvent se prendre dans le câble et provoquer un accident grave.
2. **Ne faites jamais fonctionner l'appareil si le garde-courroie est enlevé.** Les doigts peuvent se prendre facilement entre la courroie et la poulie.
3. **Ne forcez jamais les câbles exagérément.** Quand l'appareil fonctionne, maintenez une main gantée sur le câble pour le contrôler. Une tension excessive du câble à cause d'un obstacle peut causer une torsion, un vrillage ou la rupture et pourrait provoquer des blessures graves.
4. **Placez l'appareil le plus près possible du drain, à une distance de 60 cm (2 pi) maximum.** Une distance plus grande risque de conduire à une torsion ou un vrillage du câble.
5. **Cet appareil est prévu pour être utilisé PAR UNE PERSONNE seulement à la fois.** L'utilisateur doit contrôler la pédale et le câble.

6. **Ne faites pas fonctionner cet appareil en marche arrière (REV).** La marche arrière ne doit servir qu'à dégager un outil d'un obstacle, autrement il peut en résulter des dommages au câble.
7. **Gardez les mains éloignées du dévidoir en mouvement.** Ne mettez jamais la main à l'intérieur du dévidoir à moins que l'appareil ne soit débranché. La main pourrait être gravement blessée par les pièces en mouvement.
8. **Faites attention lorsque vous nettoyez un drain dans lequel des produits chimiques ont été utilisés.** Évitez tout contact direct avec la peau et les yeux. Ces produits chimiques peuvent causer des brûlures graves à l'opérateur et endommager le câble.
9. **Ne faites pas fonctionner la machine si elle ou l'utilisateur se trouve sur un sol inondé.** Ceci augmenterait le risque d'électrocution.
10. **Portez toujours des lunettes de sécurité et des chaussures à semelle en caoutchouc antidérapant.** L'emploi de ces équipements de sécurité peut empêcher des blessures graves.
11. **Avant chaque utilisation, vérifiez que le câble n'est ni cassé ni emmêlé à l'intérieur du tambour, en extrayant le câble et en vérifiant qu'il n'est pas usé ni cassé.** Remplacez toujours les câbles usés (entortillés ou cassés) par des câbles de remplacement GENERAL authentiques.
12. **N'utiliser cet outil que pour la tâche à laquelle il est destiné. Suivez le mode d'emploi.** Toute autre utilisation ou la modification du débouchoir pour d'autres applications risquent d'augmenter le risque de se blesser.

DISJONCTEUR DE FUITE À LA TERRE (GFCI)

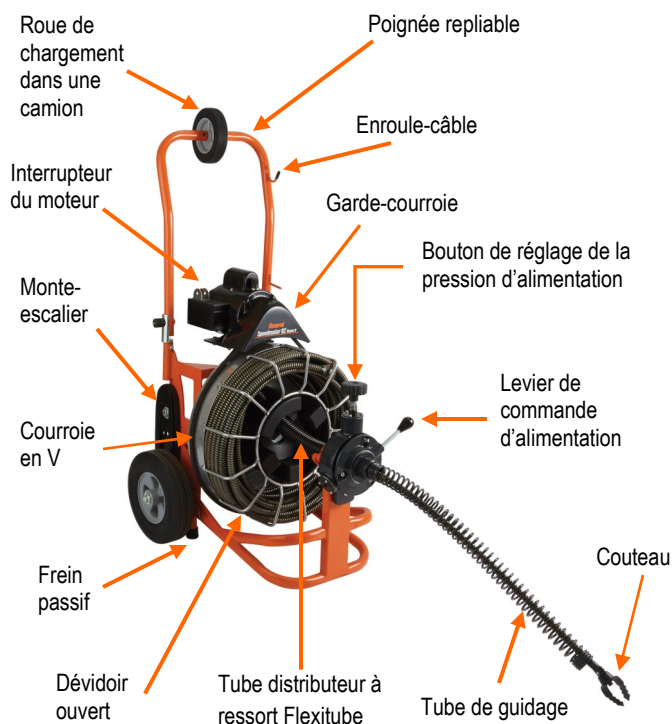
Votre appareil est pourvu d'un disjoncteur de fuite à la terre qui vous protège contre les chocs électriques en cas de court-circuit. Vérifiez si la prise de courant est correctement mise à la terre. Testez ce disjoncteur avant chaque utilisation.

1. Branchez l'appareil dans une prise de 120 V.
2. Appuyez sur le bouton d'essai. Le témoin doit s'éteindre et le courant devrait être coupé.
3. Si le témoin ne s'éteint pas après avoir appuyé sur le bouton d'essai, **N'UTILISER PAS L'APPAREIL** avant qu'il ait été réparé.
4. Pour rétablir le courant après l'essai, appuyez sur le bouton de réenclenchement. Une fois ce bouton enfoncé, si l'appareil ne démarre pas, s'il s'arrête durant le fonctionnement ou si l'opérateur ressent un léger choc, **n'utilisez pas l'appareil !** Étiquetez-le comme hors de service et faites-le réparer par le fabricant ou par un centre de réparation de moteurs électriques.



LA PORTION DE CORDON COMPRISE ENTRE LA PRISE DE COURANT ET LE DISJONCTEUR NE FAIT PAS PARTIE DU CIRCUIT PROTÉGÉ.

CARACTÉRISTIQUES








REMARQUE : ne faites pas fonctionner la machine si les étiquettes d'avertissement de la boîte de commutation et du câble sont absentes ou illisibles.

Sélection du câble (Tableau 1)

Diamètre du câble	Diamètre de la canalisation	Applications typiques
3/4 po	4 à 10 po	Avaloirs grands, égouts longs, racines
5/8 po	3 à 6 po	Avaloirs de plancher, racines

Sélection du couteau (Tableau 2)

Couteau	Cat. #	Applications typiques
Tête de lance 	SHD	Foret de départ - permet l'écoulement de l'eau
Couteau en U 2 po 	2UC	Pour couper et gratter
Lames à Tranchant Latéral 3 po 	3HDSC	Pour couper et gratter les parois de la canalisation
Lame de scie robuste 3 po 	3HDB	Pour couper les racines
Outil de repêchage (grand) 	RTR-2	Pour retirer des objets perdus ou un câble cassé

Remarque : Il n'y a pas de règle déterminée quant à l'utilisation des couteaux. Si vous n'arrivez pas à bout d'un engorgement, il faut tout simplement essayer un autre couteau.

DIRECTIVES D'UTILISATION

PRÉPARATION



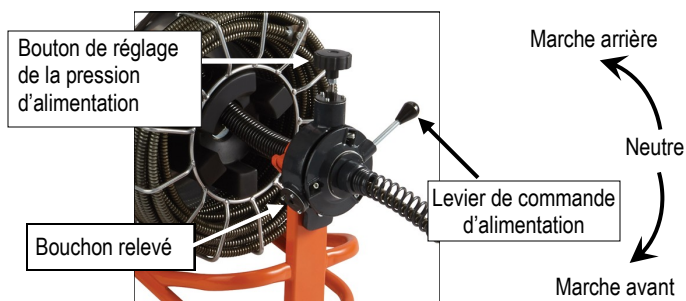
L'INTERRUPTEUR DE L'APPAREIL DOIT ÊTRE EN POSITION ARRÊT (OFF) !

- Placez l'appareil à moins de 0,6 m (2 pi) de l'avaloir. Assurez-vous que le tube de guidage Speedrooter (S92-GT) soit en place. Si vous ne pouvez pas approcher l'appareil aussi près, faites passer le câble par la rallonge optionnelle de tube de guidage (GTE) ou par un tube métallique semblable afin de prévenir le fouettement du câble.
- Placez la pédale à air de façon qu'elle soit facile d'accès. Cet appareil est conçu pour être opéré par une seule personne. Assurez-vous de pouvoir enlever rapidement votre pied de la pédale en cas d'urgence.
- Vérifiez que l'interrupteur du moteur soit en position **arrêt**.
- Assurez-vous que l'alimenteur de câble automatique est réglé selon le diamètre de câble sélectionné. Dans le cas des câbles de 3/4 po ou 5/8 po, l'alimenteur automatique doit être monté de manière à ce que le côté surélevé des 2 bouchons inférieurs soit tourné vers l'extérieur.
- Choisissez l'outil de coupage approprié (voir Sélection du couteau - Tableau 2). Il convient souvent de commencer avec le couteau en tête de lance ou le couteau un U de 2 po. Une fois la canalisation dégagée, recommencez l'opération avec des lames plus larges pour racler la paroi interne, assurant ainsi un nettoyage à fond.
- Les couteaux doivent être insérés dans le raccord femelle situé à l'extrémité du câble et doivent être serrés **solidement** au moyen de la rondelle de blocage et de la vis de jonction.



FONCTIONNEMENT

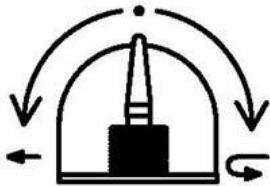
- Avant d'actionner la pédale, placez le tube de guidage et le câble dans l'avaloir.
- Serrez le bouton sur le dessus de l'alimenteur de câble automatique afin que le rouleau d'alimentation appuie sur le câble. N'exagérez pas la pression puisque cela pourrait causer l'usure prématurée du câble.
- Le levier d'alimentation commande la vitesse d'alimentation et le sens de rotation du câble. Appuyez vers le bas pour faire sortir le câble du dévidoir. Plus le levier descend, plus le câble avance vite. Soulevez le levier vers le haut pour faire rentrer le câble dans le dévidoir. Lorsque le levier est au centre (position neutre), le câble tourne sans avancer ni reculer.



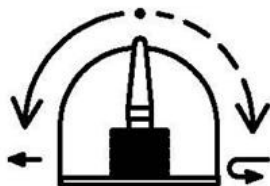
- Placez l'interrupteur du moteur en position **avant**.
- Avec une main gantée sur le tube de guidage ou sur le câble, pesez sur la pédale à air pour faire démarrer l'appareil. Faites avancer le câble dans la canalisation, avec une pression ferme et constante, jusqu'à l'engorgement. Réglez la vitesse d'alimentation selon la résistance. **Ne forcez pas le câble** ; laissez travailler le couteau. Le travail ne se ferait pas plus vite et vous pourriez endommager le câble.
- Veillez à ce qu'il n'y ait pas trop de mou entre la machine et le drain. Si le câble commence à courber ou à trop s'enrouler sur lui-même, relâchez la pression sur la pédale. Placez le levier d'alimentation en marche arrière et pesez sur la pédale pour rentrez le surplus de câble dans le dévidoir. Puis placez le levier d'alimentation en marche avant et continuez à faire avancer le câble plus lentement.
- Si vous avez de la difficulté à franchir un coude, essayez en marche arrière tout en exerçant une pression constante.

INTERRUPTEUR DU MOTEUR

INTERRUPTEUR DE CONTACT MOMENTANÉ



AVANT—ARRÊT—ARRIÈRE



AVANT—ARRÊT—CONTINUER D'APPUYER POUR MARCHÉ ARRIÈRE

Cette manœuvre ne doit pas durer plus de quelques secondes à la fois, car cela peut forcer le câble à vriller ou à s'emmêler dans le dévidoir.

- Si il s'avère toujours impossible de franchir un coude, vous utilisez peut-être un câble trop large. Réduisez le diamètre à 5/8 (Voir tableau 1 - Sélection du câble).
- Lorsque le câble atteint l'engorgement, faites avancer le câble lentement pour que le couteau broie l'obstacle. Ce mouvement lent vers l'avant réduit la tension sur le câble tout en permettant un nettoyage plus complet. Un mouvement d'avant et de recul est souvent la meilleure méthode.

Truc : il peut être avantageux de faire couler un filet d'eau dans la canalisation pour dégager les débris coupés par le couteau, pendant et après que l'appareil fonctionne.

- Faites attention de ne pas coincer le couteau dans l'obstacle pendant le travail. Cela pourrait causer le vrillage ou la rupture du câble. Quand vous sentez que le câble commence à s'emmêler dans vos mains, arrêtez l'appareil et rentrez un peu de câble. Cela devrait libérer le couteau de l'obstacle ; vous pouvez alors recommencer à faire avancer le couteau lentement. Rappelez-vous qu'il n'y a pas de nettoyage quand le couteau arrête de tourner.
- Une fois que la canalisation est bien dégagée, rentrez le câble dans le dévidoir en soulevant le levier d'alimentation vers le haut. Assurez-vous que le moteur tourne vers l'**avant**.

- Quand le couteau approche de l'avaloir, retirez votre pied de la pédale pour arrêter la rotation du dévidoir. Ne retirez jamais le couteau de l'avaloir pendant que le câble tourne ; le câble pourrait fouetter et causer de graves blessures. Ne reculez pas le couteau dans le tube de guidage.



N'UTILISEZ PAS LA MARCHÉ ARRIÈRE POUR RETIRER LE CÂBLE DE LA CANALISATION. OPÉRER LA MACHINE EN MARCHÉ ARRIÈRE PEUT FORCER LE CÂBLE À S'EMMÊLER DANS LE DÉVIDOIR.

OPÉRATIONS SPÉCIALES

CÂBLE COINCÉ DANS UNE CANALISATION

Le moteur peut être mis en marche arrière pour dégager le câble lorsqu'il est coincé dans une canalisation. (Remarque : dans le cas de l'alimenteur de câble automatique, le fait de mettre le moteur en marche arrière inverse le fonctionnement normal du levier de commande de l'alimentation.)

- Déplacez l'interrupteur du moteur en position de marche arrière.
- Enfoncez la pédale tout en tirant le câble.
- Une fois le câble dégagé, remettez l'interrupteur en position de marche avant.



NE FAITES PAS TOURNER L'APPAREIL EN MARCHÉ ARRIÈRE PLUS DE QUELQUES SECONDES À LA FOIS, VOUS POUVEZ FORCER LE CÂBLE À S'EMMÊLER DANS LE DÉVIDOIR OU À VRILLER.

CÂBLE EMMÊLÉ DANS LE DÉVIDOIR

Cette situation peut survenir en exerçant trop de pression lors de l'avance du câble ou en faisant avancer le câble dans la canalisation alors que l'appareil tourne en marche arrière. Pour démmêler le câble, faites tourner le dévidoir en sens inverse. Cela permet habituellement au câble de se replacer convenablement dans le dévidoir.

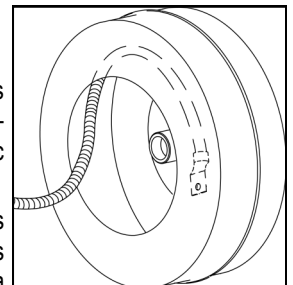
Si le câble s'est trop emmêlé, ce qui ne devrait normalement pas se produire, vous pouvez avoir à le retirer entièrement du dévidoir et à le réinstaller. (voir la section sur l'installation du câble).

COMMENT INSTALLER UN CÂBLE DANS LE DÉVIDOIR

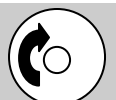


DÉBRANCHEZ L'APPAREIL AVANT D'INSTALLER LES CÂBLES !

- Reliez l'extrémité mâle du câble au câble de raccordement du dévidoir déjà fixé à celui-ci.
- Enlevez la courroie en V.
- Tournez le dévidoir dans le sens des aiguilles d'une montre, tout en enfonçant le câble dans le dévidoir avec l'autre main.
- Assurez-vous que le câble entre dans le dévidoir dans le sens des aiguilles d'une montre, vu du devant de la machine. Sinon, le câble s'emmêlera dans le dévidoir.
- Remettez la courroie en V lorsque le câble est installé.



Remarque : Le câble devrait toujours se trouver enroulé dans le sens horaire à l'intérieur du dévidoir.



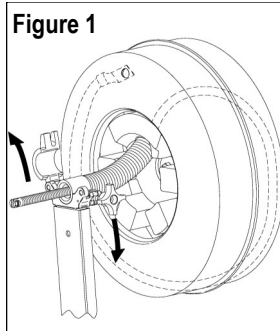
COMMENT RETIRER LE DÉVIDOIR



DÉBRANCHEZ L'APPAREIL AVANT DE RETIRER LE DÉVIDOIR !

1. Enlevez le garde-courroie en desserrant le bouton au-dessus du moteur.
2. Appuyez sur le moteur et retirez la courroie en V du dévidoir. Faites pivoter le moteur sur le côté.
3. Retirez le couteau et la vis de jonction de l'extrémité du câble.
4. Dévissez le bouton derrière le pilier avant et retirez l'alimenteur automatique de l'appareil.
5. Avec une main sur le câble, desserrez la molette du capuchon du pied avant, puis ouvrez le capuchon. Le Flexitube ressort du capuchon (voir la figure 1).
6. Dévissez le boulon à anneau au centre du dévidoir, puis glissez le dévidoir hors de son axe et mettez-le de côté.

Figure 1



Conseil : une méthode plus facile de retrait du dévidoir est de basculer le Speedrooter sur le côté, à l'opposé de la poignée de frein, et de faire rouler le dévidoir hors de la machine.

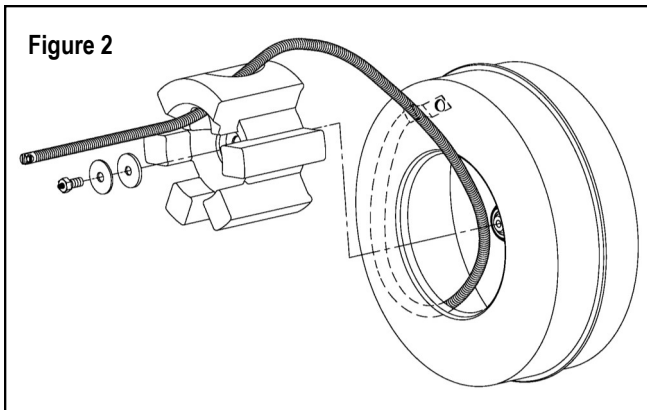
COMMENT INSTALLER LE DÉVIDOIR



DÉBRANCHEZ L'APPAREIL AVANT D'INSTALLER UN DÉVIDOIR !

1. Suspendez la courroie en V sur la poulie du moteur (courroie de 64 po pour le grand dévidoir).
2. Glissez le dévidoir et sa cage intérieure sur l'axe du dévidoir (voir la figure 2).

Figure 2



3. Vissez le boulon à anneau, la rondelle en acier et la rondelle en feutre sur le filetage à l'extrémité de l'axe du dévidoir.
4. Tirez à peu près 12 po de câble au-delà du pied avant, puis guidez le Flexitube dans le capuchon du pied avant (voir photo).



5. Avec une main sur le câble devant le pied avant, enfoncez le câble pour fixer le Flexitude dans la pince. Vérifiez que le Flexitube est bien installé sur la goupille de guidage à la base de la pince.
6. Puis fermez la pince et serrez la mollette de l'autre main.

ENTRETIEN



DÉBRANCHEZ L'APPAREIL AVANT TOUT ENTRETIEN !

Pour maintenir votre appareil en état de marche optimal, il est essentiel que tous les roulements soient lubrifiés. La lubrification de toutes les pièces mobiles est particulièrement importante si l'appareil est exposé au sable, au gravier et à d'autres matières abrasives.

ENTRETIEN DU CÂBLE

Pour obtenir un rendement maximal des câbles, assurez-vous qu'ils soient propres et bien lubrifiés. Cela est nécessaire à leur utilisation et prolonge grandement leur durée. Certains utilisateurs versent périodiquement de l'huile directement dans le dévidoir ; le mouvement du dévidoir assure alors la lubrification complète du câble. Notre huile SNAKE OIL est idéale à cette fin puisqu'elle désinfecte et désodorise tout en lubrifiant.



ENTRETIEN DE L'ALIMENTEUR

Maintenez l'alimenteur libre de saletés. Il est recommandé de le nettoyer à l'eau propre puis de lubrifier légèrement toutes les pièces mobiles après chaque utilisation. Normalement, il ne devrait pas être nécessaire de le démonter. Le mauvais fonctionnement de l'alimenteur est habituellement dû aux causes suivantes :

ACCUMULATION DE SALETÉS

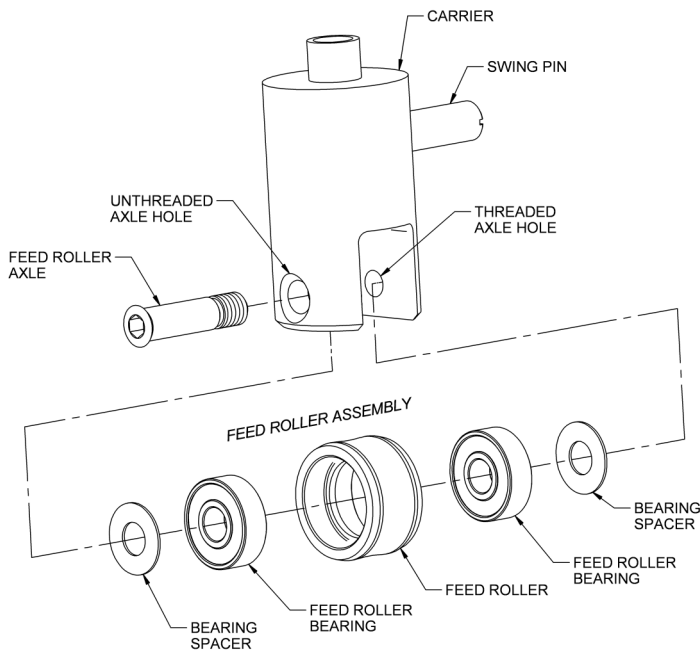
Avec le temps, la saleté peut durcir suffisamment pour empêcher la rotation des rouleaux. Le lavage à l'eau et une lubrification abondante peut habituellement y remédier. Si le démontage est nécessaire, faites comme suit :

1. Enlevez le bouton de réglage de la tension de l'alimenteur, les ressorts et le verrou à ressort. Notez bien la position des pièces pour faciliter le remontage. Le rouleau du dessus peut maintenant être enlevé.
2. Enlevez les anneaux élastiques et les rondelles de butée du cylindres de logement inférieurs. Les rouleaux inférieurs peuvent être retirés.
3. Le remontage s'effectue dans l'ordre inverse.

ROULEAUX ENDOMMAGÉS

L'utilisation de l'appareil entraîne l'usure normale des rouleaux après un certain temps. Il est recommandé de changer les 3 rouleaux en même temps (N° de pièce PO-703). Le rouleau de rechange consiste en un rouleau d'alimentation, deux roulements à billes et deux intercalaires.

Remarque : les intercalaires doivent être installés entre le support et chaque roulement à billes (voir illustration ci-dessous), afin d'assurer un fonctionnement correct et de prolonger la durée de vie du rouleau d'alimentation.



L'ENSEMBLE ROULEAU D'ALIMENTATION
Dans le sens des aiguilles d'une montre du sommet

- Support
- Goupille
- Trou d'axe fileté
- Ensemble rouleau d'alimentation
- Intercalaire
- Roulement à billes du rouleau d'alimentation
- Rouleau d'alimentation
- Roulement à billes du rouleau d'alimentation
- Axe de roulement d'alimentation
- Trou d'axe non fileté

Pour remplacer l'ensemble rouleau d'alimentation :

1. Enlevez l'ensemble rouleau d'alimentation en dévissant et en retirant son axe.
2. Les pièces de rechange sont préassemblées et fixées par un fil métallique à l'usine. Commencez par retirer le fil métallique en maintenant les pièces ensemble.
3. En continuant de ce faire, insérez l'ensemble dans la fente de la pièce porteuse.
4. Afin d'aligner les intercalaires et les roulements, introduisez la pointe d'un crayon ou un objet similaire dans l'extrémité **non filetée** du trou de l'axe sur la pièce porteuse. Après avoir retiré le crayon, continuez de maintenir l'alignement des pièces.
5. L'axe du rouleau d'alimentation doit alors être introduit à travers le même trou d'axe non fileté, et doit être guidé à travers les intercalaires et les roulements jusqu'au trou d'axe fileté, de l'autre côté de la pièce porteuse.
6. Vissez l'axe sur la pièce porteuse avec une clé de 3/16 po.

CÂBLE EMMÊLÉ

Si un câble s'entortille dans le dévidoir, il ne peut pas avancer correctement. Retirez puis remplacez correctement le câble à la main pour corriger la situation. Si le câble a vrillé, c'est une preuve d'abus ou le résultat d'une pression excessive ou de l'usage du mauvais diamètre de câble dans une canalisation. Ne forcez pas un câble, laissez le couteau faire le travail.

GUIDE DE DÉPANNAGE (Tableau 3)

Problème	Cause probable	Solution
Le câble vrille ou casse.	L'opérateur force le câble	Ne forcez pas le câble. Laisser le couteau faire le travail.
	Trop de mou entre l'appareil et l'avaloir	L'appareil doit être placé à moins de 2 pi de l'avaloir.
	Mauvais diamètre de câble pour cette canalisation	Un câble dont le diamètre est trop petit ou trop grand pour une canalisation est plus sujet au vrillage. (Voir Tableau 1 - Sélection du câble)
	Câble exposé à l'acide	Nettoyer et lubrifier les câbles régulièrement.
Le câble s'emmêle dans le dévidoir.	L'opérateur force le câble	Ne forcez pas le câble. Laisser le couteau faire le travail.
	L'appareil tourne à reculons	L'appareil ne doit pas tourner en marche arrière pour retirer le câble de la canalisation.
Le dévidoir arrête même si la pédale est enfoncée.	Trou dans la pédale ou le boyau	Remplacez la pièce défectueuse.
	Trou dans l'interrupteur à diaphragme	S'il n'y a aucun trou dans la pédale ou le boyau, remplacez l'interrupteur à diaphragme.
Le dévidoir tourne dans un sens, mais pas dans l'autre.	Interrupteur de marche arrière ou interrupteur de contact momentané défectueux	Remplacez l'interrupteur. Remarque : L'interrupteur de contact momentané doit se maintenir en position pour faire fonctionner l'appareil en marche arrière.
Le disjoncteur de fuite à la terre déclenche, mais ne réenclenche pas.	Cordon électrique ou rallonge défectueux	Remplacez les cordons électriques.
	Court-circuit dans le moteur	Faites réparer le moteur dans un centre autorisé.
	Disjoncteur de fuite à la terre défectueux	Remplacez le disjoncteur de fuite à la terre.
Le moteur tourne, mais pas le dévidoir.	L'embrayage de sécurité (facultatif) glisse	Ne forcez pas le câble.
L'alimenteur ne fonctionne pas.	Câble emmêlé dans le dévidoir	Ne faites pas tourner l'appareil en marche arrière. Utiliser le bon diamètre de câble. (Voir tableau 1 -Sélection du câble)
	Alimenteur dérégulé	Si le bouton de tension de l'alimenteur n'est pas suffisamment serré, le câble glisse. S'il est trop serré, les rouleaux usent prématurément
	Rouleau de l'alimenteur bloqué	Nettoyer et lubrifier les rouleaux régulièrement. Remplacez les rouleaux usés.
	Câble usé	Si l'enroulement extérieur du câble s'use à plat, le câble devrait être remplacé.

Voir les pages 29 à 31 pour les listes de pièces et schemas.

*Speedroter 92R*TM

Instrucciones de operación

Para líneas de 3 a 10 pulgadas
(75mm—250mm)



Su Speedroter 92 está diseñado para darle años de servicio rentable y sin problemas. Sin embargo, no hay máquina que sea mejor que el operario.

Lea, entienda y cumpla con todas las advertencias de seguridad e instrucciones que vienen con el producto. Si no se siguen todas estas advertencias e instrucciones se pueden producir descargas eléctricas y/o graves lesiones. Guarde todas las advertencias e instrucciones como referencias futuras.

¡GUARDE ESTAS INSTRUCCIONES!

General
PIPE CLEANERS



ADVERTENCIA

Lea y entienda el manual del operario antes de usar esta máquina. Si no se siguen las instrucciones de operación podrían producirse graves lesiones o la muerte.

ADVERTENCIA: Lea y entienda todas las instrucciones. Si no se siguen todas las instrucciones que se indican a continuación pueden producirse descargas eléctricas, incendios y/o graves lesiones corporales. El usuario puede solicitar manuales de repuesto de forma gratis o puede descargarlos en nuestro sitio web en www.drainbrain.com. También hay videos de instrucciones que pueden descargarse de nuestro sitio web, o que pueden pedirse. Si tiene preguntas o problemas, comuníquese con el Departamento de Servicio al Cliente de General, llamando al 412-771-6300.

¡GUARDE ESTAS INSTRUCCIONES!

Estas instrucciones están concebidas para que todo el personal quede familiarizado con los procedimientos de operación y mantenimiento seguros de Speedrooter 92R.

SÍMBOLOS DE SEGURIDAD



Este es un símbolo de alerta de seguridad. Se utiliza para alertar al usuario ante aquellos posibles peligros que pueden causar una lesión personal. Obedezca todos los mensajes de seguridad asociados a este símbolo para evitar posibles lesiones o la muerte.

PELIGRO

PELIGRO indica un peligro con un alto nivel de riesgo que si no se evita resultará en la muerte o en una lesión grave.

ADVERTENCIA

ADVERTENCIA indica un peligro con un nivel medio de riesgo que si no se evita podría resultar en la muerte o en una lesión grave.

PRECAUCIÓN

PRECAUCIÓN indica un peligro con un bajo nivel de riesgo que si no se evita resultará en una lesión de grado menor o moderado.

ADVERTENCIA



Si enchufa la máquina en un tomacorriente alambreado incorrectamente se puede producir una descarga eléctrica, que puede resultar en la muerte. Si el alambre de conexión a tierra está vivo, usted puede ser electrocutado con sólo tocar la máquina, incluso cuando el interruptor de potencia esté apagado. En esta situación, un interruptor de circuito de falla de la conexión a tierra no lo protegerá. Use un probador aprobado por UL para determinar si el tomacorriente está bien protegido.



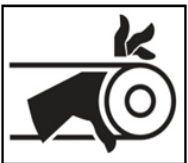
No opere herramientas mecánicas en atmósferas explosivas, como por ejemplo en presencia de líquidos, gases o polvos inflamables. Las herramientas eléctricas generan chispas que pueden encender el polvo o los vapores.



Use sólo guantes de cuero. Nunca use ningún otro tipo de guante, como por ejemplo los de tela, caucho o recubiertos. Nunca agarre con un trapo un cable que esté girando. Estos artículos podrían enredarse en el cable y causar graves lesiones.



Use siempre gafas de seguridad y calzado antideslizante con suela de goma. El uso de este equipo de seguridad puede evitar graves lesiones.



Nunca opere la máquina sin el protector de la correa. Los dedos pueden quedar atrapados entre la correa y la polea.



No tense en exceso los cables. La tensión excesiva de los cables puede causar la torcedura, formación de dobleces o rotura del cable y puede producir graves lesiones.

REGLAS GENERALES DE SEGURIDAD



ADVERTENCIA

Lea y entienda todas las instrucciones. Si no se siguen todas las instrucciones que se indican a continuación pueden producirse descargas eléctricas, incendios y/o graves lesiones corporales.

¡GUARDE ESTAS INSTRUCCIONES!

EL ÁREA DE TRABAJO

1. **Mantenga su área de trabajo limpia y bien iluminada.** Los bancos desordenados y las áreas oscuras se prestan a accidentes.
2. **No opere herramientas mecánicas en atmósferas explosivas, como por ejemplo en presencia de líquidos, gases o polvos inflamables.** Las herramientas eléctricas generan chispas que pueden encender el polvo o los vapores.
3. **Mantenga alejados a los espectadores, niños y visitantes mientras opera una herramienta eléctrica.** Las distracciones pueden hacerle perder el control.

SEGURIDAD ELÉCTRICA

1. **Las herramientas conectadas a tierra deben enchufarse en una toma de corriente correctamente instalada y conectada a tierra de acuerdo con todos los códigos y ordenanzas. Nunca saque la espiga de conexión a tierra ni modifique el enchufe de forma alguna. No utilice enchufes adaptadores. Si tiene dudas acerca de si la toma de corriente está correctamente conectada a tierra, pídale a un electricista calificado que la revise.** Si la herramienta tiene fallas eléctricas o se descompone, la conexión a tierra proporciona una trayectoria de baja resistencia para desviar la electricidad en dirección opuesta al usuario..
2. **Evite el contacto del cuerpo con superficies conectadas a tierra como tuberías, radiadores, cocinas y refrigeradores.** El riesgo de que se produzca una descarga eléctrica es mayor si su cuerpo está conectado a tierra.
3. **No exponga las herramientas eléctricas a la lluvia o al agua.** Si entra agua en una herramienta eléctrica, aumentará el riesgo de descarga eléctrica.
4. **No maltrate el cordón. Nunca utilice el cordón para trasladar las herramientas ni para sacar el enchufe de una toma de corriente. Mantenga el cordón alejado del calor, aceite, bordes afilados o piezas móviles. Reemplace inmediatamente los cordones dañados.** Los cordones dañados aumentan el riesgo de descarga eléctrica.
5. **Al operar una herramienta eléctrica en exteriores, utilice un cordón de extensión para uso en exteriores designado como "W-A" o "W".** Estos cordones están calificados para uso en exteriores y reducen el riesgo de descargas eléctricas.
6. **Antes de usar la máquina, pruebe el interruptor de circuito de falla de la conexión a tierra (GFCI) provisto con el cordón eléctrico para asegurarse de que funciona correctamente.** La máquina debe tener un interruptor de circuito de conexión a tierra funcionando correctamente en el cordón eléctrico. El GFCI reduce el riesgo de que se produzca una descarga eléctrica.
7. **No se recomienda usar cordones de extensiones salvo que estén enchufados a un interruptor de circuito de falla de la conexión a tierra (GFCI) que se encuentra en las cajas de circuito o en los receptáculos de los tomacorrientes.** El GFCI en el cordón eléctrico de la máquina no evitará la descarga eléctrica de los cordones de extensión.

8. **Use únicamente cordones de extensión de tres alambres que tengan enchufes de conexión a tierra de tres espigas y tomas de tres polos que acepten el enchufe de la herramienta.** El uso de otro tipo de extensiones o de extensiones dañadas o inferiores no conectará a tierra la herramienta y aumentará el riesgo de descargas eléctricas resultando en lesiones personales o la muerte.
9. **Mantenga todas las conexiones eléctricas secas y alejadas del suelo.** Así reducirá el riesgo de descarga eléctrica.
10. **NO toque los enchufes ni las herramientas con las manos mojadas.** Así reducirá el riesgo de descarga eléctrica.

SEGURIDAD PERSONAL

1. **Manténgase alerta, ponga atención a lo que está haciendo y use sentido común al operar una herramienta mecánica. No use la herramienta si está cansado o está bajo el efecto de drogas, alcohol o medicamentos.** Un momento de descuido al operar herramientas eléctricas puede producir graves lesiones corporales.
2. **Vístase adecuadamente. No use ropa suelta ni joyas. Mantenga sujeto el pelo largo. Mantenga su pelo, ropa y guantes alejados de las piezas móviles.** La ropa suelta, las joyas o el pelo largo pueden quedar atrapados en las piezas móviles.
3. **Evite los arranques accidentales. Antes de enchufar la máquina, asegúrese de que el interruptor esté en la posición apagado.** El portar herramientas con el dedo en el interruptor, o enchufar herramientas con el interruptor activado, pueden resultar en accidentes.
4. **Antes de encender la herramienta, retire las llaves o interruptores de ajuste.** Una llave que se haya dejado instalada en una pieza giratoria de la herramienta puede causar lesiones corporales.
5. **No se estire en exceso. Mantenga en todo momento su apoyo y equilibrio correctos.** Un apoyo y equilibrio correctos permiten controlar mejor la herramienta en situaciones inesperadas.
6. **Use equipo de seguridad. Use siempre gafas de seguridad.** Según las condiciones se deben utilizar máscaras contra el polvo, calzado de seguridad antideslizante, casco duro o protección auditiva.

USO Y CUIDADO DE LA HERRAMIENTA

1. **Use abrazaderas u otra manera práctica de sujetar y apoyar la pieza en una plataforma estable. No fuerce la herramienta.** Sostener la pieza con la mano o contra su cuerpo es inestable y puede llevar a una pérdida del control.
2. **No fuerce la herramienta. Utilice la herramienta correcta para su aplicación.** La herramienta correcta hará mejor el trabajo y de una manera más segura a la velocidad para la que está diseñada.
3. **No use la herramienta si el interruptor no la enciende o apaga.** Cualquier herramienta que no se pueda controlar con el interruptor es peligrosa y debe repararse.
4. **Desconecte el enchufe de la fuente de alimentación antes de hacer cualquier ajuste, cambiar accesorios o guardar la herramienta.** Estas medidas de seguridad preventiva reducen el riesgo de un arranque accidental de la herramienta.
5. **Cuando no se usan, guarde las herramientas fuera del alcance de los niños y otras personas no capacitadas.** Las herramientas son peligrosas en manos de usuarios no capacitados.

6. **Mantenga las herramientas con cuidado.** Mantenga las herramientas cortantes afiladas y limpias. Las herramientas mantenidas correctamente, con bordes cortantes afilados, tienen menos probabilidades de atascarse y son más fáciles de controlar.
7. **Revise si hay piezas móviles desalineadas o atascadas, piezas rotas y cualquier otra condición que pueda afectar la operación de la herramienta.** Si hay daños, haga reparar la herramienta antes de utilizarla. Muchos accidentes se deben a un mantenimiento deficiente de las herramientas.
8. **Use únicamente accesorios recomendados por el fabricante para su modelo.** Los accesorios que pueden ser adecuados para una herramienta pueden ser riesgosos si se utilizan en otra herramienta.

SERVICIO

1. **El servicio de la herramienta sólo debe realizarlo personal de reparaciones calificado.** Un servicio o mantenimiento realizado por personal de reparaciones no calificado puede causar lesiones.
2. **Al dar servicio a una herramienta, utilice sólo piezas de reemplazo idénticas. Siga las instrucciones descritas en la sección Mantenimiento de este manual.** El uso de piezas no autorizadas o la inobservancia de las instrucciones de mantenimiento pueden crear un riesgo de descarga eléctrica o lesiones.

REGLAS ESPECÍFICAS DE SEGURIDAD



Este es un símbolo de alerta de seguridad. Se utiliza para alertar al usuario ante aquellos posibles peligros que pueden causar una lesión personal. Obedezca todos los mensajes de seguridad asociados a este símbolo para evitar posibles lesiones o la muerte.



Si enchufa la máquina en un tomacorriente alambreado incorrectamente se puede producir una descarga eléctrica, que puede resultar en la muerte. Si el alambre de conexión a tierra está vivo, usted puede ser electrocutado con sólo tocar la máquina, incluso cuando el interruptor de potencia esté apagado. En esta situación, un interruptor de circuito de falla de la conexión a tierra no lo protegerá. Use un probador aprobado por UL para determinar si el tomacorriente está bien protegido.



No tense en exceso los cables. La tensión excesiva de los cables puede causar la torcedura, formación de dobleces o rotura del cable y puede producir graves lesiones.

1. **Use sólo guantes de cuero.** Nunca use ningún otro tipo de guante, como por ejemplo los de tela, caucho o recubiertos. Nunca agarre con un trapo un cable que esté girando. Estos artículos podrían enredarse en el cable y causar graves lesiones.
2. **Nunca opere la máquina sin el protector de la correa.** Los dedos pueden quedar atrapados entre la correa y la polea.
3. **No tense en exceso los cables.** Mantenga la mano enguantada en el cable para tener el control mientras la máquina está en funcionamiento. La tensión excesiva de los cables debido a una obstrucción puede causar la torcedura, formación de dobleces o rotura del cable y puede producir graves lesiones.

4. **Coloque la máquina a una distancia de no más de dos pies del orificio del desagüe.** Distancias mayores pueden hacer que el cable se tuerza o doble.
5. **La máquina está diseñada para ser operada por UNA SOLA PERSONA.** El operario está obligado a controlar el pedal y el cable.
6. **No opere la máquina en reversa (REV).** Si opera la máquina en reversa puede resultar que el cable se dañe. La reversa se usa solamente para retirar una herramienta de corte de una obstrucción.
7. **Mantenga las manos alejadas del tambor giratorio.** No extienda la mano en el tambor salvo que la máquina esté desconectada. Las piezas móviles pueden atrapar las manos y pueden resultar en una lesión grave.
8. **Tenga cuidado al limpiar desagües donde se han utilizado productos químicos de limpieza.** Evite el contacto directo con la piel y los ojos. La exposición a esos productos químicos puede causar quemaduras graves al operario y dañar el cable.
9. **No opere la máquina si el operario o la máquina están parados sobre el agua.** Ello aumentará el riesgo de descarga eléctrica.
10. **Use gafas de seguridad y calzado antideslizante con suela de goma.** El uso de este equipo de seguridad puede evitar graves lesiones.
11. **Antes de comenzar cada trabajo, compruebe que el cable en el tambor no esté roto ni doblado, sacándolo y revisando si presenta desgaste o roturas.** Reemplace siempre los cables gastados (que tienen dobleces o están rotos) por cables de reemplazo GENERAL auténticos.
12. **Utilice esta herramienta sólo en la aplicación para la que fue diseñada. Siga las instrucciones sobre uso adecuado de la herramienta.** Otros usos o la modificación del limpiador de desagües para otras aplicaciones pueden aumentar el riesgo de lesiones.

Interruptor de circuito de falla de la conexión a tierra (GFCI)

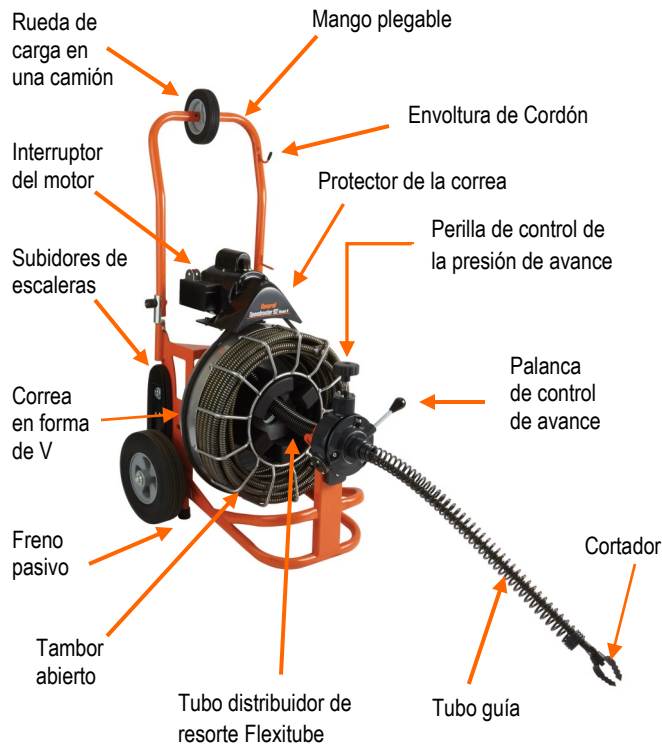
Su máquina está equipada con un interruptor de circuito de falla de la conexión a tierra cuya función es proteger contra una descarga si ocurre un cortocircuito. Revise que el receptáculo esté bien conectado a tierra. Compruebe el funcionamiento del GFCI antes de cada uso.

1. Enchúfelo en un receptáculo de 120 V.
2. Presione el botón de prueba (Test). La luz indicadora se apagará y se cortará la alimentación a la máquina.
3. Si la luz no se apaga cuando se presiona el botón de prueba, **NO USE LA MÁQUINA** hasta hacer las reparaciones apropiadas.
4. Para restablecer la alimentación después de la prueba, presione el botón de reposicionar (Reset). Con el botón de reposicionar presionado, si la máquina no arranca, si se detiene cuando está funcionando o si el operario sufre una descarga leve, **¡NO USE LA MÁQUINA!** Etiquétela como fuera de servicio y llévela a un centro de reparación de motores o envíela a la fábrica para su reparación.



LA SECCIÓN DEL CORDÓN ENTRE EL ENCHUFE DE LA PARED Y EL GFCI NO ESTÁ EN EL CIRCUITO PROTEGIDO.

CARACTERÍSTICAS



AVISO: No opere la máquina si faltan las etiquetas de advertencia en la caja de interruptores y el cordón de fuerza, o si están ilegibles.

Aplicaciones de cables (Cuadro 1)

Calibre del cable	Tamaño de la tubería	Aplicaciones típicas
3/4" pulg	4" a 10" pulgadas	Desagües grandes, recorridos largos, raíces
5/8" pulg	3" a 6" pulgadas	Drenajes de piso y raíces

Aplicaciones de cortadores (Cuadro 2)

Cortador	Núm. de pieza	Aplicaciones típicas
Cabezal de lanza	SHD	Barrenado inicial: hace que el agua comience a fluir.
Cortador en forma de U de 2 pulg	2UC	Para cortar y raspar.
Hojas de corte uso industrial de 3 pulg	3HDC	Para cortar y raspar paredes de tuberías.
Hoja de sierra de uso industrial de 3 pulg	3HDB	Para cortar raíces.
Herramienta grande de extracción	RTR-2	Para sacar objetos sueltos o cables partidos.

Nota: No hay reglas fijas en relación a qué cortador usar. Si una herramienta no resuelve la obstrucción, simplemente intente con otra.

INSTRUCCIONES DE OPERACIÓN CONFIGURACIÓN



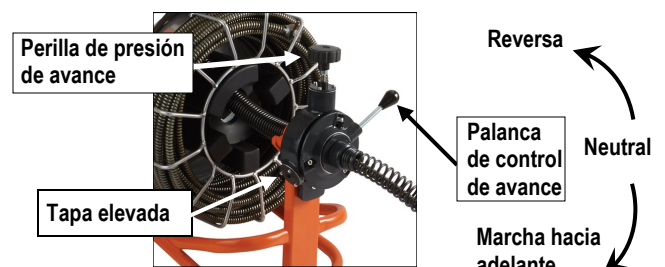
ASEGÚRESE DE QUE EL INTERRUPTOR DEL MOTOR ESTÉ EN LA POSICIÓN APAGADO ("OFF").

- Ubique la máquina a no más de dos pies de distancia del orificio de desagüe. Asegúrese de que el tubo guía del Speedrooter (S92-GT) esté colocado en su posición. Si no puede poner la máquina a esa distancia de la abertura del drenaje, pase el cable por la extensión del tubo guía opcional (GTE) o por un tubo guía metálico para evitar que el cable dé golpes.
- Coloque el pedal neumático para que tenga un fácil acceso al mismo. La máquina está diseñada para que la use una sola persona. Asegúrese de que pueda quitar rápidamente el pie del pedal en el caso de una emergencia.
- Asegúrese de que el interruptor del motor esté en la posición **apagado (off)**.
- Asegúrese de que el alimentador automático de cable esté fijado para que corresponda con el calibre del cable que seleccionó. Si está usando cables de 3/4 ó 5/8 pulg, el alimentador debe ensamblarse con el lado levantado de las dos tapas inferiores hacia afuera.
- Seleccione la herramienta de corte correspondiente (vea Aplicaciones de cortadores - Cuadro 2). Una buena herramienta para comenzar es el cabezal de arpón or el cortador en forma de U de 2 pulg. Después de abrir la línea, continúe con cuchillas más grandes que raspen los bordes interiores de la tubería y aseguren un buen trabajo de limpieza.
- Inserte el cortador en el conector hembra al final del cable y apriete el tornillo de conexión y la arandela de seguridad **firmemente** en su posición.

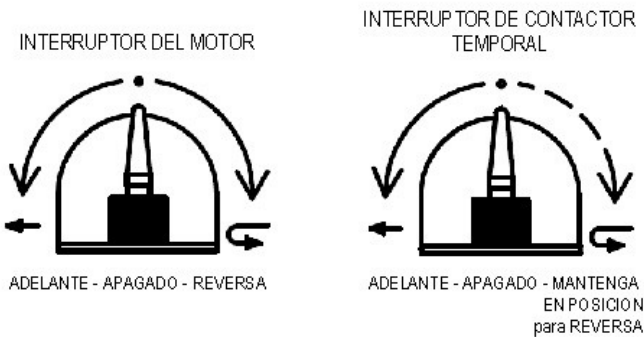


OPERACIÓN

- Antes de presionar el pedal, coloque el tubo guía y el cable en el drenaje.
- Apriete la perilla en la parte de arriba del alimentador automático de cable de forma que el rodillo de avance presione contra el cable. Asegúrese de que no apriete demasiado porque esto puede causar un desgaste excesivo del cable.
- La palanca de avance controla la velocidad de avance y la dirección del cable. Mueva la palanca hacia abajo para sacar el cable del tambor. Entre más mueva la palanca hacia abajo, más rápido avanzará el cable y saldrá. Mueva la palanca hacia arriba para retraer el cable y meterlo en el tambor. Cuando la palanca esté en la posición media (neutro), el cable girará en su posición.



4. Lleve el interruptor del motor a la posición **hacia adelante (forward)**.
5. Con la mano con guante puesta en el tubo guía o cable, presione el pedal neumático para arrancar la máquina. Avance el cable hacia la línea y contra la obstrucción con una presión firme y uniforme. Ajuste la velocidad de avance de acuerdo a la resistencia que encuentre. **No fuerce el cable.** Deje que el cortador haga el trabajo. El trabajo no se hará más rápido y el cable podría enroscarse.
6. No permita que exista holgura en el cable entre la máquina y la abertura del drenaje. Si el cable comienza a dar sacudidas o acumular torceduras en exceso, deténgalo quitando su pie del pedal. Lleve la palanca de avance a la posición de reversa y presione el pedal para retraer el cable sobrante de vuelta al tambor. Luego lleve la palanca de avance a la posición hacia adelante y continúe avanzando el cable más lentamente.
7. Si tiene problemas para avanzar en las curvas estrechas, pruebe poniendo la máquina en reversa mientras aplica presión constante.



No haga esto por más de unos segundos cada vez ya que puede hacer que el cable se enrede o causar dobleces en el tambor.

8. Si aún no puede avanzar en las curvas, probablemente esté empleando un cable demasiado grande. Cambie a un cable con diámetro de 5/8 pulg (vea Aplicaciones de cables - Cuadro 1).
9. Cuando el cable llegue al atascamiento, deje que el cable avance hacia adelante lentamente y rompa el atascamiento a medida que pasa. Este movimiento lento hacia adelante reducirá la tensión en el cable y hará que el trabajo de limpieza sea más exhaustivo. El movimiento hacia adelante y hacia atrás a veces es lo mejor.

Consejo: Suele ser útil tener un pequeño flujo de agua en la línea para eliminar los residuos de cortaduras mientras la máquina está en operación y después de ello.

10. Asegúrese de que el cortador no quede atrapado en el atascamiento a medida que pasa por el mismo. Esto puede causar torceduras o roturas del cable. Cuando sienta que el cable comienza a torcerse en sus manos, detenga la máquina y retraiga el cable. Esto liberará el cortador de la obstrucción. Luego, deje que el cable se mueva hacia adelante de forma lenta en dirección al atascamiento. Recuerde que cuando las hojas dejan de girar no se produce el corte.
11. Después que se abra la línea, mueva la palanca de avance hacia arriba para poner el cable de nuevo en el tambor. Asegúrese de que el interruptor del motor esté en la posición **hacia adelante (forward)**.

12. Cuando la herramienta de corte esté cerca de la abertura del drenaje, saque el pie del pedal para detener el giro del tambor. Nunca retraiga la herramienta de corte del drenaje mientras que el cable esté girando. El cable podría darle un golpe y causar una lesión grave. No retracte el cortador hacia el interior del Tubo Guía.

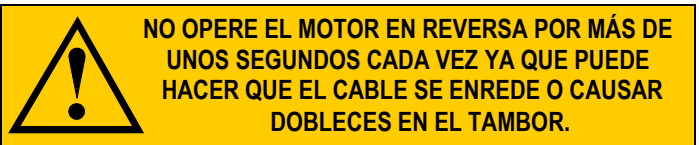


OPERACIONES ESPECIALES

SI EL CABLE QUEDA ATRAPADO EN LA LÍNEA

El motor se puede poner en reversa para liberar el cable si éste queda atrapado en la línea. (Nota: Si está usando un alimentador automático de cable, poner el motor en reversa hará que la palanca de control de avance funcione opuesta a lo normal).

1. Mueva el interruptor del motor a la posición de reversa.
2. Presione el pedal mientras que tira del cable.
3. Después que el cable esté suelto, mueva el interruptor del motor de nuevo hacia la posición hacia adelante.



SI EL CABLE SE ENREDA EN EL TAMBOR

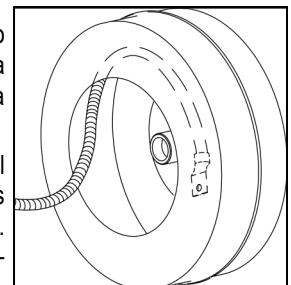
Esto se debe a un exceso de presión al hacer avanzar el cable o a que se hizo avanzar el cable en la línea mientras la máquina funcionaba en reversa. Para desenredar el cable, gire el tambor en la dirección opuesta. Esto por lo regular logra que el cable se coloque correctamente en el tambor.

Si el cable está severamente enmarañado, cosa que no debe suceder si se ha utilizado correctamente, podrá ser necesario extraer el cable completo del tambor y reinstalarlo (Ver la sección "Como reinstalar el cable").

PARA INSTALAR EL CABLE EN EL TAMBOR



1. Conecte el extremo macho del cable al cable conector de tambor que ya se encuentra conectado al tambor.
2. Quite la correa en "V"
3. Gire el tambor en sentido dextrorso con una mano, mientras que empuja el cable al interior del tambor con la otra mano.
4. Esté seguro de que el cable entre al tambor en sentido dextrorso mientras que mira la máquina desde el frente. De otro modo, el cable se enmarañará en el tambor.



- Reponga la correa en "V" una vez que haya instalado el cable.

Nota: El cable debe estar en el tambor en la dirección de las manecillas del reloj.



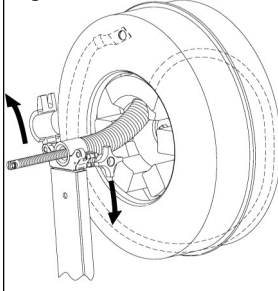
QUITAR EL TAMBOR



¡DESCONECTE LA MÁQUINA DE LA FUENTE DE ALIMENTACIÓN ANTES DE QUITAR EL TAMBOR!

- Quite el protector de la correa aflojando la perilla que está sobre el motor.
- Presione el motor hacia abajo y saque la correa en forma de V del tambor.
- Quite el cortador y el tornillo de conexión del extremo del cable.
- Desatornille la perilla detrás del poste frontal y saque el alimentador automático de cable de la máquina.
- Con una mano sobre el cable, afloje la perilla en la tapa del poste delantero y abra la tapa. El Flexitube saldrá de la tapa con acción de resorte (Ver la figura 1)
- Destornille el perno de anillo en el centro del tambor y deslice el tambor fuera del eje del tambor, levantándolo y haciéndolo a un lado.

Figure 1



Sugerencia: Una forma más fácil de quitar el tambor consiste en volcar el Speedrooter sobre su costado, opuesto al freno de mano, y hacer rodar el tambor fuera de la máquina.

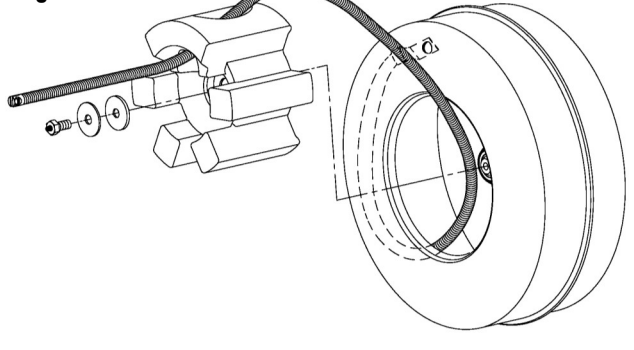
INSTALACIÓN DEL TAMBOR



¡DESCONECTE LA MÁQUINA DE LA FUENTE DE ALIMENTACIÓN ANTES DE INSTALAR UN TAMBOR!

- Cuelgue la correa en "V" de la polea del motor (correa de 64 pulg. para el tambor grande).
- Deslice el tambor y la jaula del tambor interior sobre el eje del tambor (Ver figura 2)
- Atornille el perno de anillo, la arandela de acero y la arandela de felpa sobre las roscas en el extremo del árbol del tambor.

Figure 2



- Saque unas 12 pulg. de cable más allá del frente del poste, guiando el Flexitube hacia el interior de la tapa del poste delantero (ver el foto).



- Con una mano sobre el cable al frente del poste delantero, empuje el cable hacia abajo para afianzar el Flexitube en su sitio dentro de la abrazadera. Asegúrese de que el Flexitube esté debidamente asentado sobre el pasador guía en la base de la abrazadera.
- Entonces, cierre la abrazadera y apriete la perilla con la otra mano.

MANTENIMIENTO



¡DESCONECTE LA MÁQUINA DE LA FUENTE DE ALIMENTACIÓN ANTES DE LLEVAR A CABO EL MANTENIMIENTO DE LA MÁQUINA!

Para mantener su máquina operando sin problemas, es esencial que todos los rodamientos estén bien lubricados. La lubricación de las piezas móviles es particularmente importante si la máquina debe entrar en contacto con arena, arenisca y otros materiales abrasivos.

MANTENIMIENTO DEL CABLE

Para obtener el máximo de servicio de los cables, asegúrese de que estén limpios y bien lubricados. Esto no sólo proporciona una lubricación mientras funciona la máquina, sino que también prolonga en gran medida la vida de los cables. Algunos usuarios periódicamente echan aceite directamente al tambor. Así, al girar el tambor, los cables se lubrican completamente. Nuestro ACEITE SNAKE es ideal para esto, dado que no sólo lubrica los cables sino también los desodoriza.



MANTENIMIENTO DEL ALIMENTADOR

Mantenga el alimentador libre de exceso de tierra y arenilla. Se recomienda que el alimentador se irrigue con agua limpia y después se engrase ligeramente las piezas móviles. Por lo regular no se necesita un desmontaje. Las fallas del avance pueden atribuirse por lo regular a las siguientes posibilidades:

ACUMULACIÓN DE SUCIEDAD

Con el paso del tiempo, las suciedades se endurecen lo suficiente para detener la rotación del rodillo. La irrigación con agua seguido por un engrasamiento liberal puede por lo regular restaurar el funcionamiento. Si se requiere un desmontaje, proceda como se indica a continuación:

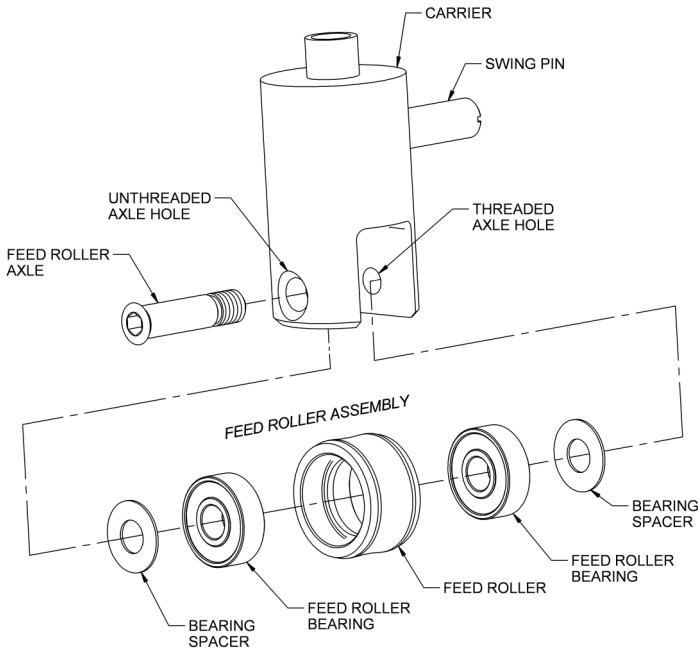
- Quite la perilla de tensión del avance, los resortes y el émbolo del resorte. Fijese en el posicionamiento de estas piezas para facilitar el montaje de nuevo. El rodillo superior puede ahora quitarse.
- Quite los anillos elásticos y las arandelas de empuje de los cilindros de alojamiento inferiores. Los rodillos inferiores pueden ahora quitarse.
- El montaje de nuevo se hace en el orden inverso.

RODILLO DAÑADO

El uso excesivo puede desgastar el rodillo hasta el punto de su falla. Se recomienda que los tres rodillos sean puestos al mismo tiempo (Núm. de pieza PO-703). El rodillo de repuesto es un ensamblado que consiste de un Rodillo de Alimentación, dos Cojinetes de Rodillo de Alimentación, y dos Espaciadores de Cojinetes.

AVISO: Los Espaciadores de Cojinetes deben instalarse entre el Portador y cada Cojinete de Rodillo de Alimentación (según se ilustra abajo) para poder garantizar el funcionamiento correcto y obtener la vida máxima del Rodillo de Alimentación.

el Ensamblado del Rodillo de Alimentación



- las agujas del reloj desde la parte superior**
- PORTADOR
- PASADOR DE OSCILACIÓN
- AGUJERO ROSCADO DEL EJE
- ENSAMBLADO DEL RODILLO DE ALIMENTACIÓN
- ESPACIADOR DEL COJINETE
- COJINETE DEL RODILLO DE ALIMENTACIÓN
- RODILLO DE ALIMENTACIÓN
- COJINETE DEL RODILLO DE ALIMENTACIÓN
- ESPACIADOR DEL COJINETE
- EJE DE RODILLO DE ALIMENTACIÓN
- AGUJERO SIN ROSCAR DEL EJE

Para reemplazar el Ensamblado del Rodillo de Alimentación:

1. Quite el Ensamblado del Rodillo de Alimentación destornillando y quitando el Eje de Rodillo de Alimentación
2. Para más conveniencia, los componentes vienen ensamblados y cableados de fábrica. Antes de tratar de instalar el ensamblado, mantenga unido el ensamblado y quite el alambre.
3. Mientras que mantiene unido el Ensamblado de Rodillo de Alimentación, insértelo en la ranura del Portador.
4. Con objeto de alinear los Espaciadores y los Cojinetes, inserte la punta de un lápiz o un objeto parecido a través del extremo **sin roscar** del agujero del Eje en el Portador. Después de quitar la punta del lápiz, siga manteniendo el alineamiento de los componentes.
5. El Eje del Rodillo Alimentador debe insertarse entonces a través del mismo agujero sin roscar del eje y debe seguir siendo guiado a través de los Espaciadores y Cojinetes hasta el agujero roscado del Eje en el lado opuesto del Portador.
6. Afiance el Eje al Portador fijamente con una llave Allen de 3/16 pulg.

CABLE ENREDADO

Si el cable se enreda consigo mismo en el tambor, no podrá avanzar correctamente. Quite y vuelva a cargarlo para restaurar su función. Si el cable está doblado, es prueba de un maltrato y resultado del uso de mucha presión o del uso de un cable con la capacidad incorrecta para la línea. No fuerce el cable. Deje que el cortador haga el trabajo.

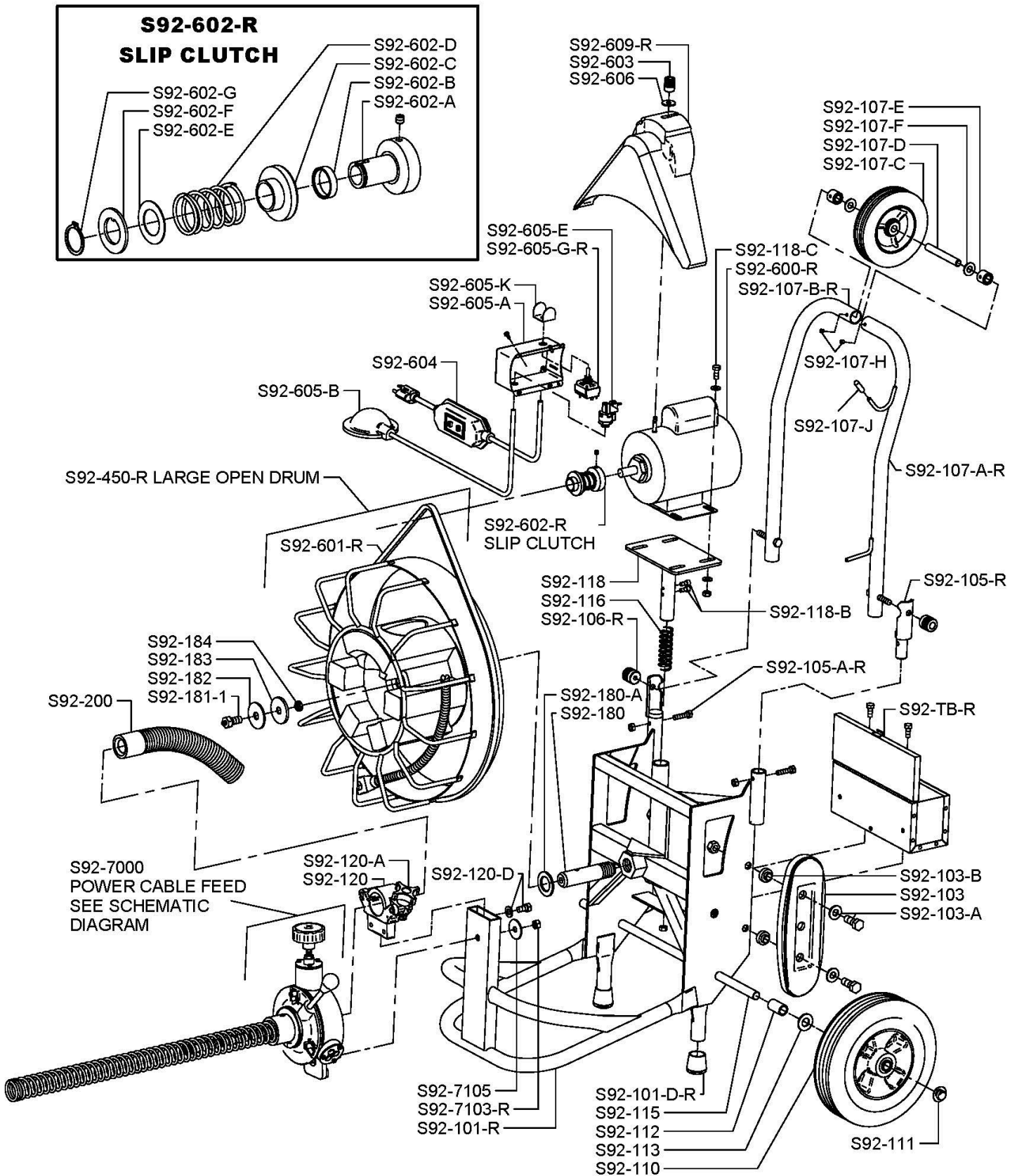
GUÍA DE SOLUCIÓN DE PROBLEMAS (Cuadro 3)		
Problema	Causa probable	Solución
Torceduras o roturas en el cable.	El operario forzó el cable.	No fuerce el cable. Deje que el cortador haga el trabajo.
	Demasiado cable suelto entre la máquina y el desagüe.	No deje más de dos pies entre la máquina y el drenaje.
	Se usó el cable en una línea de desagüe del tamaño incorrecto.	Un cable de diámetro demasiado grande o demasiado pequeño para una línea tiene más probabilidades de formar cocas. (Consulte la Tabla 1: Aplicaciones de Cables).
	Cable expuesto al ácido	Limpie y lubrique regularmente los cables.
Cable enredado en el tambor.	El operario forzó el cable.	No fuerce el cable. Deje que el cortador haga el trabajo.
	La máquina está funcionando en reversa.	No haga funcionar la máquina en reversa para extraer el cable del desagüe.
El tambor se detiene cuando se oprime el pedal.	Hueco en el pedal o manguera.	Sustituya si es necesario.
	Hueco en el interruptor de diafragma.	Si no encontró hueco en el pedal o la manguera, sustituya el interruptor de diafragma.
El tambor gira en una dirección pero no en la otra.	Falla del interruptor de reversa o de contacto temporal.	Reemplace el interruptor. Nota: El interruptor de contacto temporal, debe mantenerse en su posición para usar la máquina en reversa.
El interruptor de circuito de falla de la conexión a tierra se dispara y no se reposiciona.	Cordón eléctrico o cordón de extensión dañado.	Cambie los cordones.
	Cortocircuito en el motor.	Lleve el motor a un centro de reparación autorizado.
	Interruptor de circuito de falla de la conexión a tierra defectuoso.	Sustituya el interruptor de circuito de falla de la conexión a tierra.
El motor gira pero el tambor no se mueve.	El embrague deslizante de seguridad (opcional) está puesto.	No fuerce el cable.
No avanza.	Cable enredado en el tambor.	No use la máquina en reversa. Use un cable de calibre adecuado. (Consulte Aplicaciones de cables - Cuadro 1).
	Mal ajuste del alimentador.	Si la perilla de tensión del avance está muy floja, el cable resbalará. Si está muy apretada, los rodillos de avance se desgastarán prematuramente.
	Rodillo de avance atascado.	Limpie y lubrique los rodillos de avance regularmente. Sustituya los rodillos desgastados.
	Cable desgastado.	Cuando los devanados del cable se desgastan en forma plana, se debe cambiar el cable.

Vea las páginas 29 - 31 para la Listas de Piezas y Vistas Despiezada.

SPEEDROTER 92R PARTS LIST

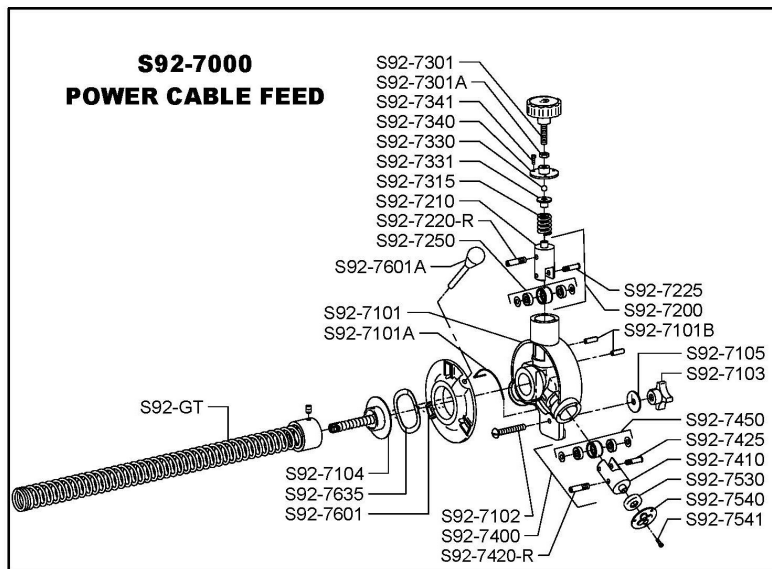
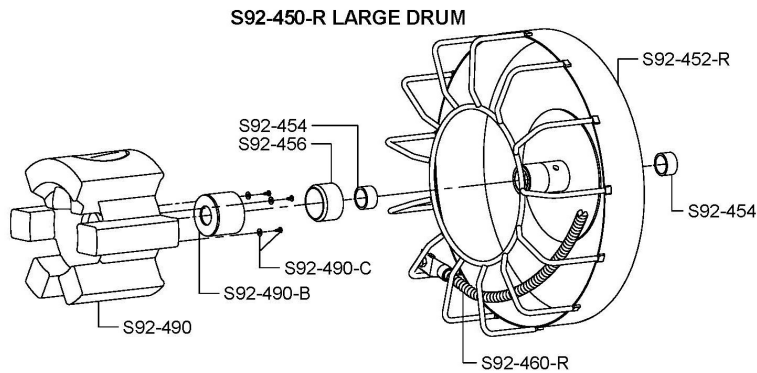
CAT. NO.	DESCRIPTION	CAT. NO.	DESCRIPTION
S92-100-R	Frame Complete w/Axle	S92-200	Spring Distributor Tube Assembly
S92-101-R	Frame Only w/Axle	S92-450-R	Open Drum Complete
S92-101-D-R	Rubber Leg Tips	S92-452-R	Open Drum Shell
S92-103	Stair Climber w/Belt (1)	S92-454	Drum Hub Bearings (2)
S92-103-A	Nuts, Bolt, & Washers (2)	S92-456	Bushing
S92-103-B	Spacers (2)	S92-460-R	Drum Connecting Cable (for 5/8" & 3/4" Cables)
S92-105-R	Handle Hinge	S92-460-A-R	Nut & Washer
S92-105-A-R	Handle Hinge Bolts & Nuts (2)	S92-490	Inner Drum Cage for Spring Distributor Tube
S92-106-R	Handle Locking Knobs	S92-490-B	Inner Drum Cage Bushing
S92-107-R	Handle Assembly	S92-490-C	Screws & Washers (3)
S92-107-A-R	Handle - Left	S92-600-R	1/3 hp Motor Complete w/Air Foot Switch, Reverse Switch, & GFCI
S92-107-B-R	Handle - Right	S92-601-R	V-Belt (62")
S92-107-C	6" Handle Wheel	S92-602-1	Slip Clutch
S92-107-D	Axle for Handle Wheel	S92-602-A	Fixed Pulley Half
S92-107-E	Bushings (2)	S92-602-B	Spacer
S92-107-F	Felt Washers (2)	S92-602-C	Moveable Pulley Half
S92-107-H	Set Screws (2)	S92-602-D	Spring
S92-107-J	Rubber Cord Wrap Tip (2)	S92-602-E	Thrust Washer
S92-110	10" Wheel w/Retaining Cap (1)	S92-602-F	Thrust Bearing
S92-111	Wheel Retaining Cap (2)	S92-602-G	Retaining Ring
S92-112	Axle Spacer (2)	S92-603	Knob for Mounting Stud
S92-113	Wheel Spacer Washers	S92-604	20 ft. Power Cord w/GFCI
S92-115	Axle	S92-605-R	Air Foot Switch & Reverse Switch Assembly
S92-116	Motor Support Spring	S92-605-A	Box Only w/Cover & Screws
S92-118	Motor Support Platform	S92-605-B	Foot Pedal & Hose
S92-118-B	Guide Screws (2)	S92-605-C	Hose Clamp
S92-118-C	Nuts, Bolt, & Washers (4)	S92-605-E	Power Switch Diaphragm
S92-120	Front Bearing Assembly	S92-605-G-R	Reverse Switch - 3-Way
S92-120-A	Front Bearing Knob	S92-605-K	Switch Guard
S92-120-D	Bolts, Nuts, & Washers (2)	S92-605-N	Strain Relief Nut
S92-180	Drum Shaft for Spring Distributor Tube (Large & Small Drum)	S92-609-R	Belt Guard (1/3 hp) w/Slot
S92-180-A	Wear Washer	S92-TB-R	Tool Box w/Bolts & Nuts
S92-181-1	Drum Shaft Retaining Bolt w/Grease Fitting	S92-GT	Guide Tube for Speedroter 92
S92-182	Retaining Washer	GTE	Guide Tube Extension
S92-183	Felt Washer	S92-DECAL	Set of Safety Decals
		S92-VIDEO	Instructional Video

SPEEDROTER 92R SCHEMATIC DIAGRAM



IMPORTANT: When ordering, give Serial Number of Machine.

SPEEDROTER 92R SCHEMATIC DIAGRAM



IMPORTANT: When ordering, give Serial Number of Machine.

POWER CABLE FEED PARTS LIST

S92-7000	Power Cable Feed Assembly
S92-7101	Feed Body
S92-7101-A	Lifting Spring
S92-7101-B	Guide Pins (2)
S92-7102	Mounting Stud
S92-7103	Mounting Knob
S92-7104	Spout & Retaining Cover
S92-7105	Steel Washer
S92-7200	Top Roller Assembly
S92-7210	Top Carrier Only
S92-7220	Swing Pin
S92-7225	Feed Roller Shaft
S92-7250	Feed Roller w/Bearing
S92-7301	Feed Pressure Knob
S92-7301-A	Limiting Nut
S92-7315	Pressure Spring
S92-7330	Ball Bearing
S92-7331	Ball Bearing Holder
S92-7340	Top Cover
S92-7341	Cover Screws & Washers (3)
S92-7400	Bottom Roller Assembly
S92-7410	Bottom Carrier Only
S92-7420	Swing Pin
S92-7425	Bottom Roller Shaft
S92-7450	Bottom Roller w/Bearing
S92-7530	Thrust Bearing
S92-7540	Cable Adjustment Plate
S92-7541	Plate Screws & Washers (3)
S92-7601	Feed Control Disc w/Lever & Knob
S92-7601-A	Lever & Knob
S92-7635	Wave Washer
S92-7703	Set of Feed Rollers (3)

**General Wire Spring Co,
1101 Thompson Avenue
McKees Rocks, PA 15136
412-771-6300 www.drainbrain.com**