

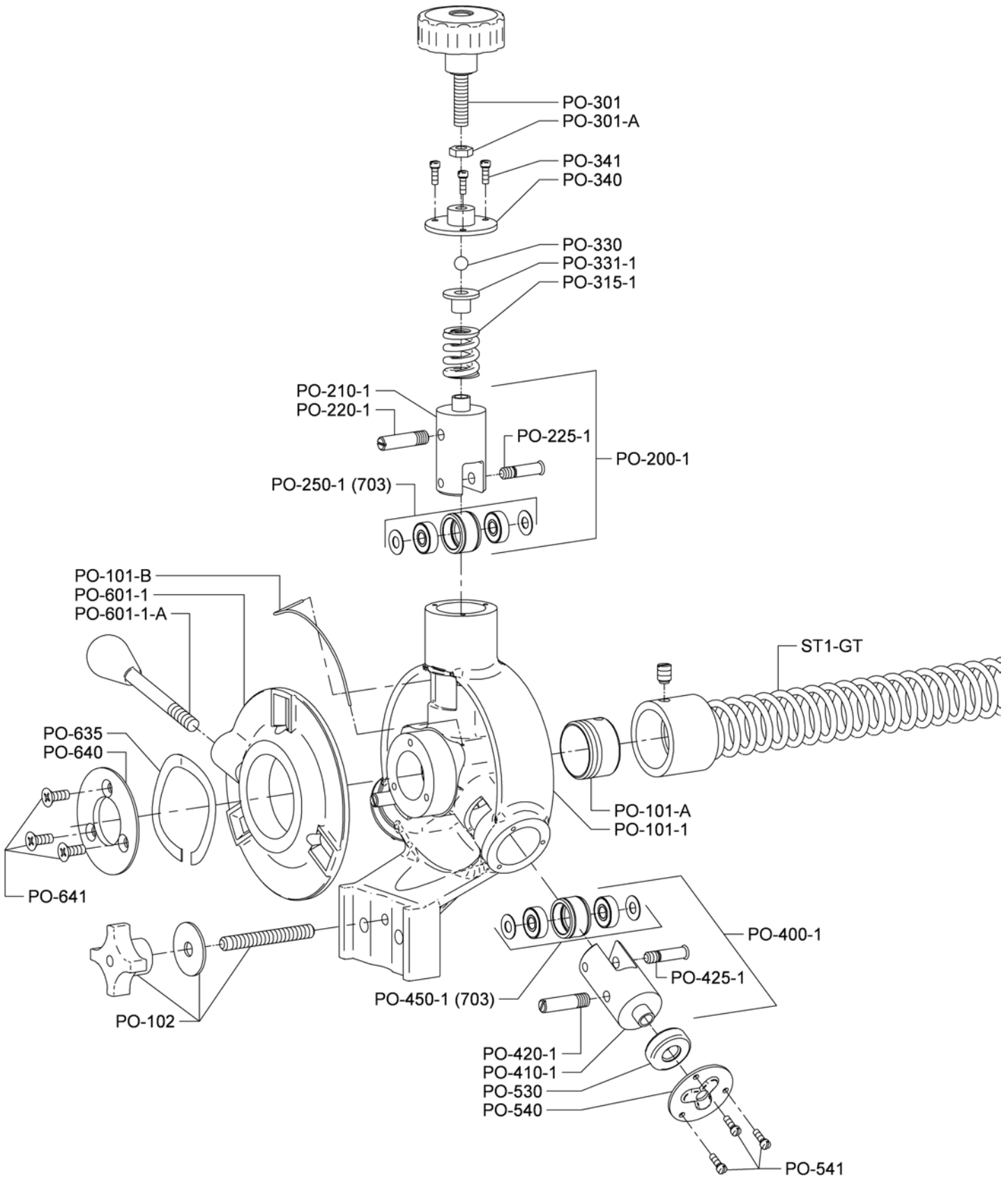
**SENIOR POWER CABLE FEED PARTS LIST**  
for Sewerooter Senior and Speedrooter

| CAT. NO.   | DESCRIPTION                                    | CAT. NO.   | DESCRIPTION                                     |
|------------|--|------------|---|
| PO-SR/GT   | SR Power Cable Feed & Guide Tube               | * PO-400-1 | Bottom Roller Assembly (Serial #2465 & Up)      |
| PO-101-1   | Feed Body                                      | PO-410-1   | Bottom Plated Steel Carrier (Serial #2465 & Up) |
| PO-101-A   | Spout  | PO-420-1   | Swing Pin (Serial #2465 & Up)                   |
| PO-101-B   | Lifting Spring                                 | PO-425-1   | Bottom Roller Shaft (Serial #2465 & Up)         |
| PO-102     | Mounting Stud w/Knob & Washer                  | PO-450-1   | Bottom Roller w/Bearing (Serial #2465 & Up)     |
| PO-103     | Mounting U-Bolt for SR (Thru. Serial #SR11606) | * PO-510-1 | Thrust Bearing Support Pad (Serial #2465 & Up)  |
| * PO-200-1 | Top Roller Assembly (Serial #2465 & Up)        | PO-530     | Thrust Bearing                                  |
| PO-210-1   | Top Plated Steel Carrier                       | PO-540     | Cable Adjustment Plate                          |
| PO-220-1   | Swing Pin (Serial #2310 & Up)                  | PO-541     | Plate Screws & Washers (3)                      |
| PO-225-1   | Feed Roller Shaft (Serial #2465 & Up)          | PO-601-1   | Feed Control Disc w/Lever & Knob                |
| PO-250-1   | Feed Roller w/Bearing (Serial #2465 & Up)      | PO-601-1-A | Lever & Knob for Control Disc                   |
| PO-301     | Feed Pressure Knob                             | PO-635     | Wave Washer                                     |
| PO-301-A   | Limiting Nut                                   | PO-640     | Feed Control Retaining Cover                    |
| * PO-315-1 | Pressure Spring (Serial #2465 & Up)            | PO-641     | Retaining Cover Screws (3)                      |
| * PO-330   | Ball Bearing                                   | PO-703     | Set of Rollers (3)                              |
| * PO-331-1 | Ball Bearing Holder (Serial #2465 & Up)        | PO-RK      | Power Feed Repair Kit                           |
| PO-340     | Top Cover Plate                                | PO-DECAL   | Set of Safety Decals                            |
| PO-341     | Cover Screws & Washers (3)                     | SR-GT      | Guide Tube for Senior                           |

\*Denotes part included in PO-RK

*Note: Parts for the Senior and Speedrooter Power Cable Feed WILL NOT interchange with parts for the Speedrooter 90/91/92 Power Cable Feed.*

# POWER CABLE FEED SCHEMATIC DIAGRAM



**IMPORTANT: When ordering, give Serial Number of Machine.**