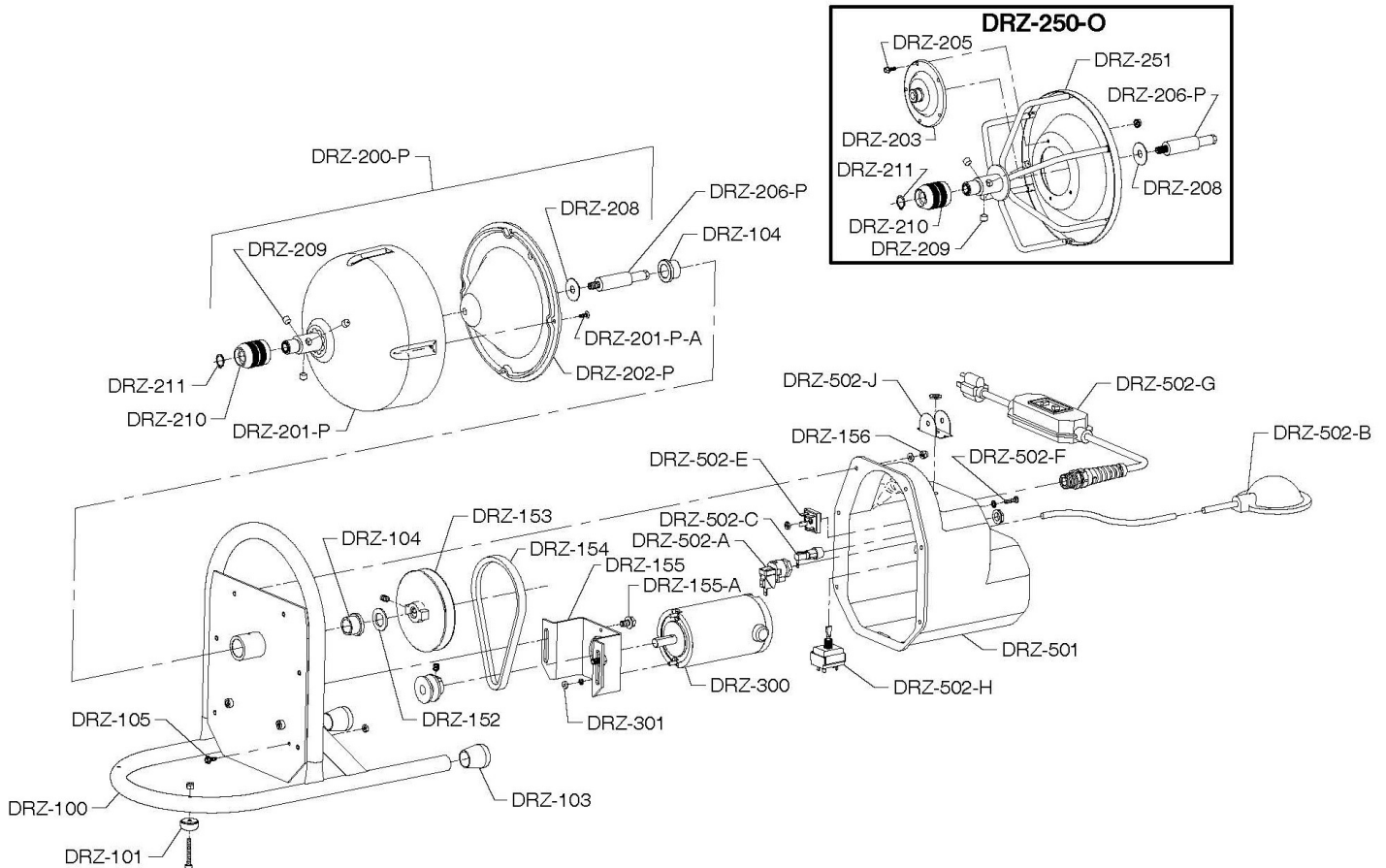


MODEL DRZ/MODEL DRZ-O PARTS LIST

CAT. NO.	DESCRIPTION	CAT. NO.	DESCRIPTION
DRZ-100	Frame Complete for Quick Grip Chuck	DRZ-250-O	Open Drum Cage Assembly for Quick Grip Chuck
DRZ-101	Rubber Feet, Bolts, & Lock Nuts	DRZ-251	Open Drum Cage Only for Quick Grip Chuck
DRZ-103	Rubber Leg Tip	DRZ-203	Drum Hub
DRZ-104	Flanged Bushings	DRZ-205	Screws and Nuts for Hub
DRZ-105	Motor Ground Screw & Nut	DRZ-300	Motor
DRZ-152	Thrust Washer	DRZ-301	Motor Nuts and Lock Washers
DRZ-153	4.5" Pulley	DRZ-500	Complete Motor Guard Assembly
DRZ-154	V-Belt	DRZ-501	Motor Guard Only
DRZ-155	Motor Mount Bracket	DRZ-502	Wiring Harness
DRZ-155-A	Motor Mount Bracket Screws	DRZ-502-A	Power Switch Diaphragm
DRZ-156	Acorn Nuts and Washers	DRZ-502-B	Foot Pedal w/Hose
DRZ-200-P	Plastic Drum Assembly w/Quick Grip Chuck	DRZ-502-C	Fuse Holder w/Fuse
DRZ-201-P	Plastic Drum Front	DRZ-502-D	Fuse
DRZ-201-P-A	Screws for Plastic Drum	DRZ-502-E	Rectifier
DRZ-202-P	Plastic Drum Rear	DRZ-502-F	Rectifier Nut, Screw, & Washer
DRZ-206-P	Drum Shaft for Plastic Drum & Open Drum Cage	DRZ-502-G	10' Power Cord w/GFCI
DRZ-208	Fender Washer	DRZ-502-H	Switch
DRZ-209	Quick Grip Chuck Grippers (3)	DRZ-502-J	Switch Guard
DRZ-210	Quick Grip Chuck Knob	DRZ-DECAL	Set of Safety Decals
DRZ-211	Quick Grip Chuck Retaining Ring		

MODEL DRZ/MODEL DRZ-O SCHEMATIC DIAGRAM



IMPORTANT: When ordering, give Serial Number of Machine.

MODEL DRZ PH/MODEL DRZ-PH-O PARTS LIST

CAT. NO.	DESCRIPTION	CAT. NO.	DESCRIPTION
DRZPH-100	Frame Complete for Power Cable Feed	DRZ-500	Complete Motor Guard Assembly
DRZ-101	Rubber Feet, Bolts, & Lock Nuts	DRZ-501	Motor Guard Only
DRZ-102	Handle Grip	DRZ-502	Wiring Harness
DRZ-103	Rubber Leg Tip	DRZ-502-A	Power Switch Diaphragm
DRZ-104	Flanged Bushings	DRZ-502-B	Foot Pedal w/Hose
DRZ-105	Motor Ground Screw & Nut	DRZ-502-C	Fuse Holder w/Fuse
DRZ-151	Front Post	DRZ-502-D	Fuse
DRZ-151-A	Front Post Knob	DRZ-502-E	Rectifier
DRZ-152	Thrust Washer	DRZ-502-F	Rectifier Nut, Screw, & Washer
DRZ-153	4.5" Pulley	DRZ-502-G	10' Power Cord w/GFCI
DRZ-154	V-Belt	DRZ-502-H	Switch
DRZ-155	Motor Mount Bracket	DRZ-502-J	Switch Guard
DRZ-155-A	Motor Mount Bracket Screws	PO-PH-4	Variable Speed Cable Feed
DRZ-156	Acorn Nuts and Washers	PH-7101	Feed Body
DRZ-200	Metal Drum Assembly for Power Cable Feed	PH-7101-A-2	Spout (Threaded)
DRZ-201	Metal Drum Front	PH-7102	Lifting Spring
DRZ-201-A	Screws and Clips for Metal Drum	PH-7200	Feed Roller Assembly
DRZ-202	Metal Drum Rear	PH-7210	Carrier Only
DRZ-203	Drum Hub	PH-7220	Swing Pin
DRZ-204	Bevelled Collar w/Set Screw	PH-7225	Roller Shaft
DRZ-205	Screws and Nuts for Hub	PH-7250	Feed Roller
DRZ-206	Drum Shaft for Metal Drum	PH-7301	Feed Pressure Knob Assembly
DRZ-207	Collar w/Set Screw	PH-7315	Pressure Spring
PC	Plastic Cartridge	PH-7510	Bottom Assembly Snap Ring
DRZ-200-O	Open Drum Cage Assembly for Power Cable Feed	PH-7530	Bottom Assembly Thrust Washers (2)
DRZ-201-O	Open Drum Cage Only for Power Cable Feed	PH-7601	Feed Control Disc with Lever & Knob
DRZ-206-P	Drum Shaft for Plastic Drum & Open Drum Cage	PH-7601-A	Lever and Knob
DRZ-208	Fender Washer	PH-7602	Control Disc Retaining Snap Ring
DRZ-300	Motor	PH-7821	Bolts & Washers (2)
DRZ-301	Motor Nuts and Lock Washers	PO-PH-703	Set of Feed Rollers Assemblies (3)
PH-400-2	Guide Hose Assembly	DRZ-DECAL	Set of Safety Decals
PH-405	Rubber Tip		
PH-409	Guide Tube Hose Only		
PH-410	Guide Tube Adapter w/Set Screw		
PH-411	Guide Tube Connector		

