

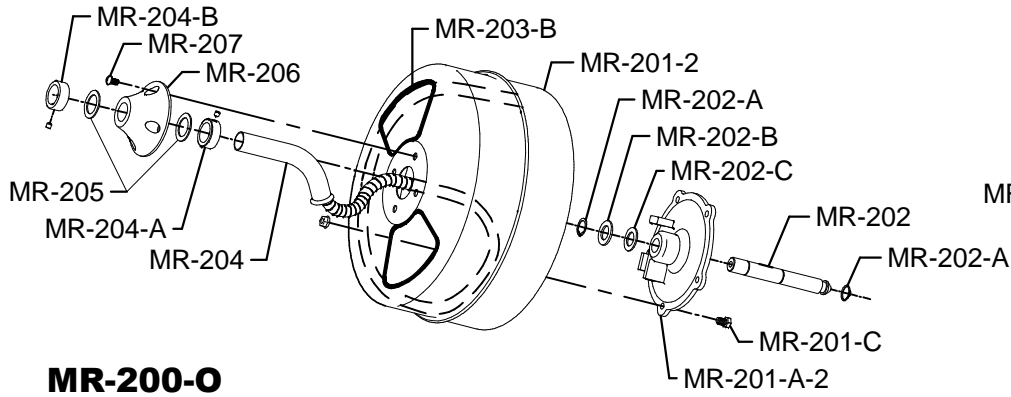
MINI-ROOTER PARTS LIST

ITEM NO.	CATALOG NO.	DESCRIPTION	ITEM NO.	CATALOG NO.	DESCRIPTION
167195	MR-100-1	Complete Frame Assembly	167934	MR-283	Chuck Assembly
167200	MR-101	Frame Only	167935	MR-283-A	Chuck Body
167220	MR-102	Rubber Leg Tip (2)	164936	MR-283-B	Knurled Knob
167240	MR-104	Shaft Retaining Pin	167937	MR-283-C	Spring
167250	MR-104-A	Retaining Pin Spring	167938	MR-283-D	Screw
167260	MR-104-B	Retaining Pin Collar	167939	MR-284	Hub w/Bushing (MR-201-A-2)
167280	MR-105	Shaft Spacer	167941	MR-284-A	Nuts & Bolts (5)
167300	MR-200	Complete Drum Assembly (Enclosed)	167943	MR-285	Washer
167330	MR-200-O	Complete Drum Assembly (Open)	167944	MR-286	Shaft w/Snap Rings & Washers
167310	MR-200-2	Drum w/Inner Drum Cage	167945	MR-286-A	Snap Rings (2)
167445	MR-201-2	Drum Shell	167946	MR-286-B	Steel Washer
167652	MR-203-B	Edging (2)	167947	MR-286-C	Felt Washer
167350	MR-201-O	Open Drum Cage	167966	MR-287	Collar w/Set Screw
167444	MR-201/202-2	Complete Shaft & Hub Assembly (No Inner Drum Cage)	167968	MR-291	Internal Container Front
167443	MR-201-A-3/202-1	Complete Shaft & Hub Assembly (For Inner Drum Cage)	167971	MR-292-A	Nuts, Lockwashers & Thumb Nuts (4)
167365	MR-201-A-2	Rear Hub Assembly w/Bushing	167972	MR-293	Beveled Collar
167470	MR-201-A-3	Rear Hub Assembly for Inner Drum	167970	MR-300	Motor 1/3 hp w/GFCI, Foot Switch & Motor Switch
167410	MR-201-C	Screws & Nuts (5)	167975	A-MR-300	Motor w/Slip Clutch, GFCI, Foot Switch & Motor Switch
167500	MR-202	Shaft (No Inner Drum Cage)	136010	GFI-10	10' Cord w/GFCI
167505	MR-202-1	Shaft (For Inner Drum Cage)	168005	MR-301-B	Belt Guard Knob
167510	MR-202-A	Retaining Ring (2)	167060	MR-301-C	Washer
167520	MR-202-B	Steel Washer	168015	MR-301-D	Stud Replacement
167530	MR-202-C	Felt Washer	168270	MR-303	V-Belt Pulley
167673	MR-204	Distributor Tube	136180	MR-303-1	Safety Clutch
167680	MR-204-A	Distributor Tube Rear Collar w/Set Screw	168281	MR-304-1	Motor Support w/Bolts, Nuts, & Washers
167690	MR-204-B	Distributor Tube Front Collar w/Set Screw	168285	MR-304-A	Guide Screws (2)
167671	MR-204-2	Distributor Tube Spring & Inner Drum	167050	MR-304-C	Nuts, Bolts, & Washers (4)
167692	MR-204-4	Flexitube Distributor Tube Assembly	168290	MR-305	Motor Support Spring
167710	MR-205	Fiber Washer (2)	136200	MR-306	V-Belt (45")
167750	MR-206	Front Hub	168328	MR-307-2	Belt Guard w/Slot for Mounting Stud
169263	MR-206-R	Front Hub (Silver)	168330	MR-308	Foot Switch & Motor Switch (Yellow) Assembly
167770	MR-207	Round Head Cap Screws (4)	168333	MR-308-1	Foot Switch & Motor Switch (Yellow) Assembly for Motor # S48AC63A40P
167700	MR-209-1	Plastic Inner Drum Cage	168331	MR-308-R	Foot Switch & Motor Switch (Red) Assembly
167790	MR-210	Drum Connecting Cable w/ Screws & Lock Nut	168337	MR-308-R-1	Foot Switch & Motor Switch (Red) Assembly for Motor # S48AC62A40P
167795	MR-210-A	Connecting Cable Screws & Lock Nut	168340	MR-308-A	Box Only w/Cover & Screws
167800	MR-215	Distributor Tube & Front Hub Assembly	136170	MR-308-B	Foot Pedal & Hose
167801	MR-216	Drum Retaining Bolt	168360	MR-308-C	Hose Clamp (2)
167802	MR-217	Drum Retaining Washer	136060	MR-308-D	Foot Pedal Only
167803	MR-218	Felt Washer	136080	MR-308-E	Power Switch Diaphragm
167804	MR-219	High Collar Lock Washer	136050	MR-308-F	Air Hose
167870	MR-250	"J" Drum (for 1/4" & 5/16" Cables)	136130	MR-308-G	Motor Switch (Yellow)
167872	MR-251-1	Rear Shell	168400	MR-308-G-1	Motor Switch (Yellow) for Motor # S48AC63A40P
167873	MR-252	Round Head Machine Screw & Nut (2)	136210	MR-308-G-R	Motor Switch (Red)
167890	MR-255-1	Front Drum Assembly for Collet Chuck	168403	MR-308-G-R-1	Motor Switch (Red) for Motor # S48AC62A40P
167880	MR-255-2	Front Drum Assembly for Quick Grip Chuck	168410	MR-308-H	Rubber Boot (Open Cage Units Only)
167901	MR-255-A-1	Spout Assembly for Collet Chuck	169450	MR-308-K	Switch Guard
167902	MR-255-A-2	Spout Assembly for Quick Grip Chuck	156395	MR-308-N	Strain Relief Nut
167905	MR-255-B	Bushing	132210	MR-DECAL	Set of Safety Decals
167910	MR-257	Shaft for "J" Drum	132320	MR-DVD	Instructional DVD
167930	MR-260-1	Collet Chuck Assembly	168690	PO-MR	Mini-Rooter Power Cable Feed
167920	MR-260-2	Quick Grip Chuck Knob and Tightening Handle	168435	MR-GT	Guide Tube
167903	MR-260-A	Quick Grip Chuck Grippers (3)	160845	EM3R8	Adapter
167904	MR-260-B	Retaining Ring	166305	ERHOI	Condensed Operating Instructions (Instructions w/Chain & Fittings, Connector, & Screw)
167960	MR-280	Dual Drum Assembly (for 1/4", 5/16", & 3/8" Cables)	168455	MROI	Complete Operating Instructions
167931	MR-281	Container Front	130050	MRCS	Mini-Rooter Cutter Set
167932	MR-281-A	Screws & Nuts (4)	121070	50EM3	Flexicore Cable, 1/2" x 50 ft. w/ Male & Female Conn.
167933	MR-282	Container Back			

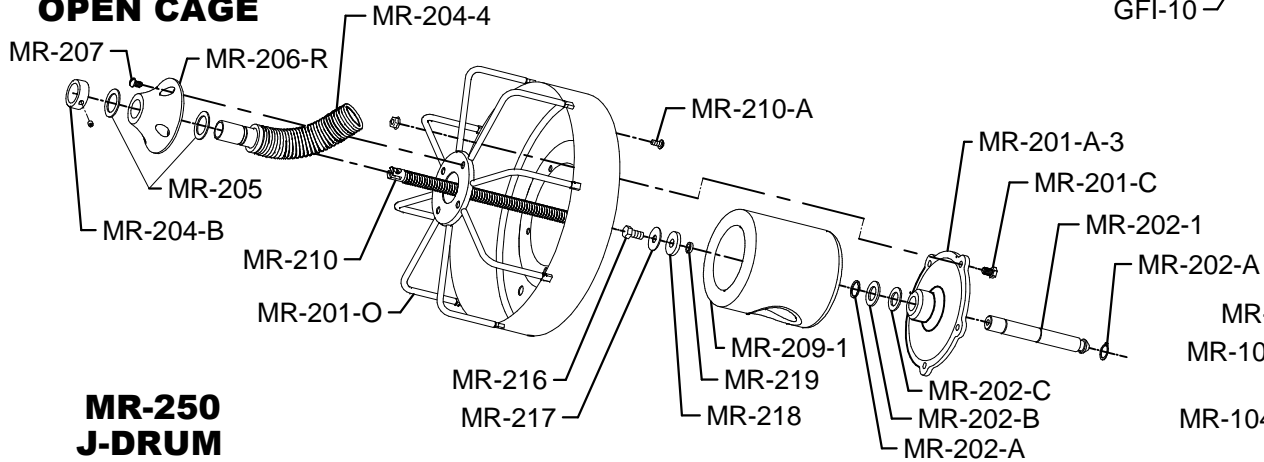
* *-R" Indicates for rental machine only

MINI-ROOTER SCHEMATIC DIAGRAM

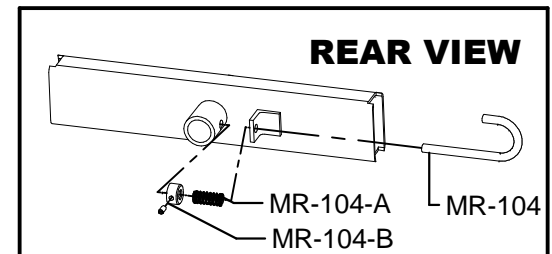
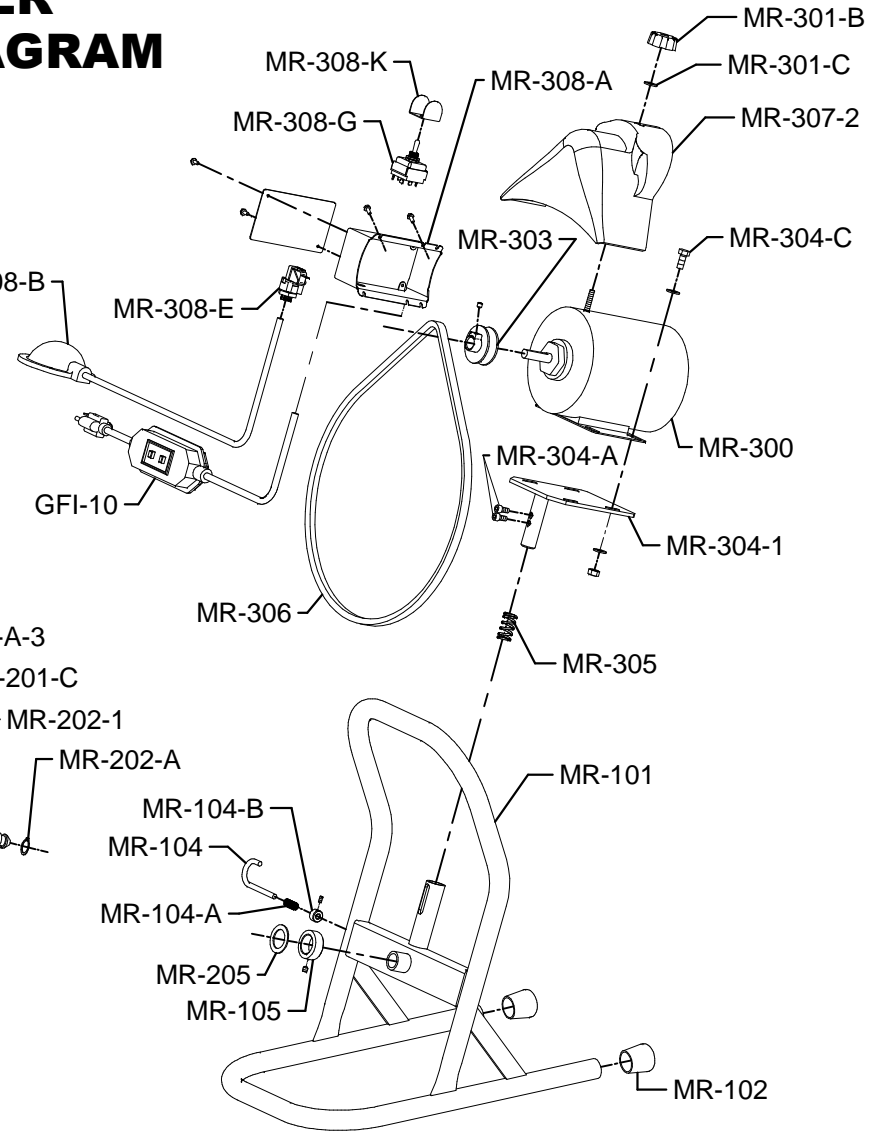
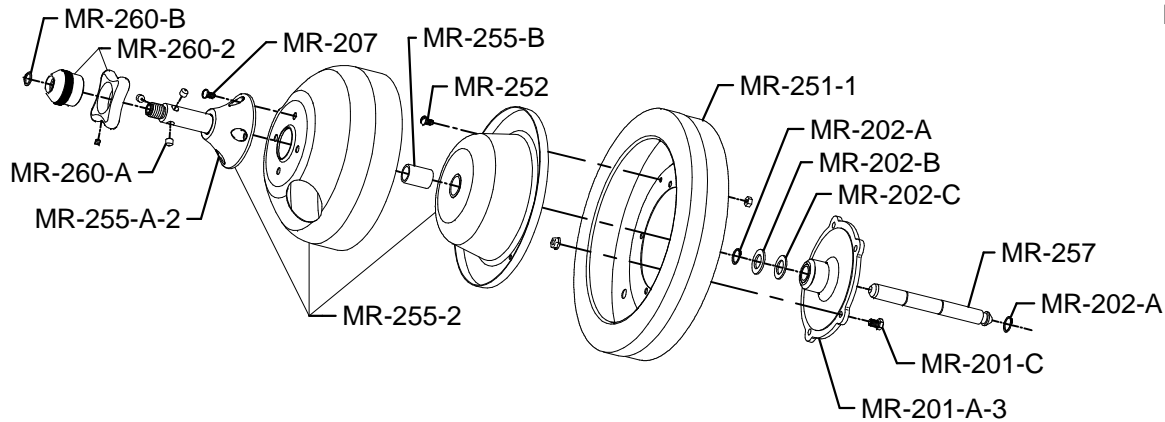
MR-200 DRUM



MR-200-O OPEN CAGE



MR-250 J-DRUM



IMPORTANT: When ordering, give Serial Number of Machine.