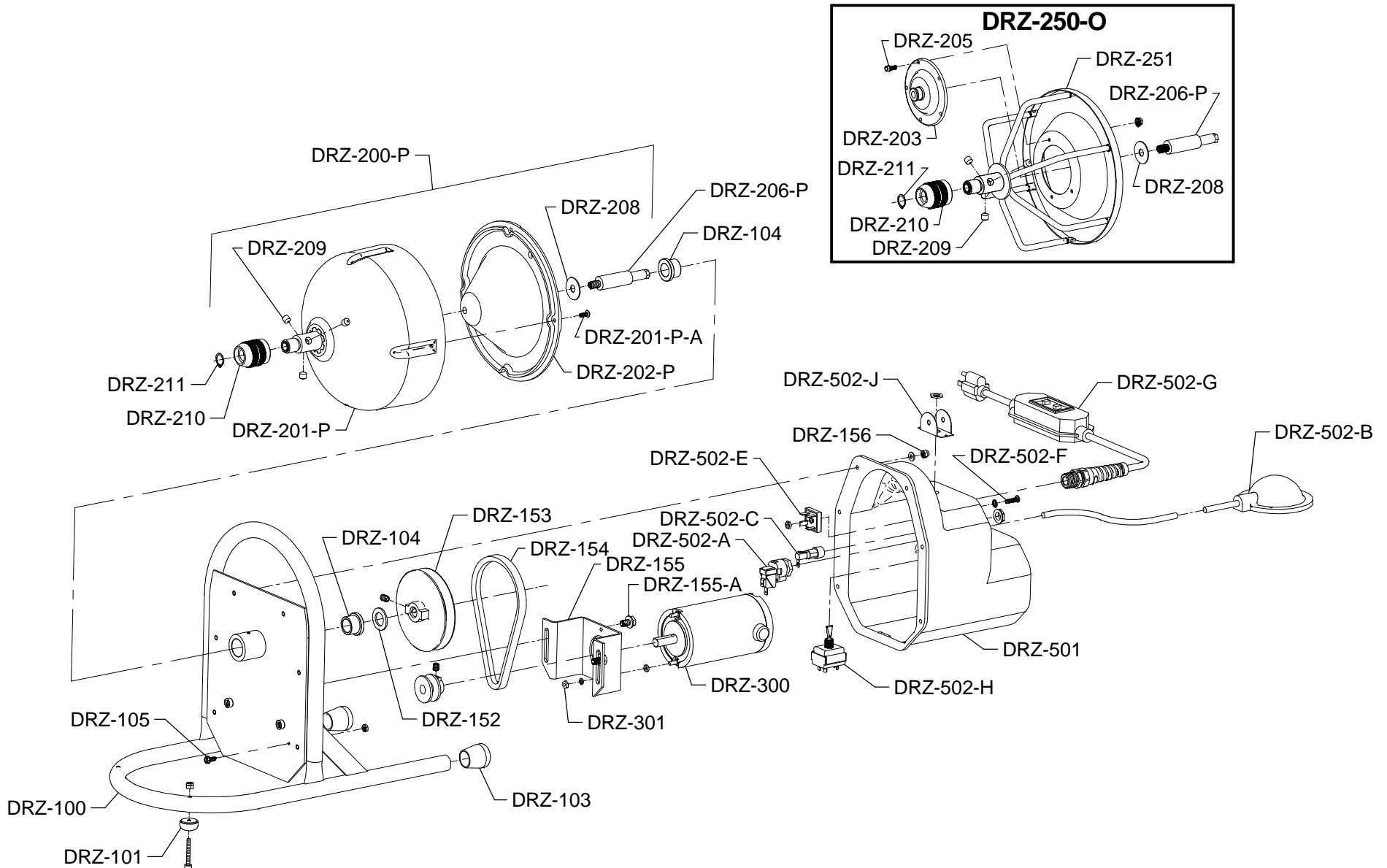


MODEL DRZ PARTS LIST

| ITEM NO. | CATALOG NO. | DESCRIPTION | ITEM NO. | CATALOG NO. | DESCRIPTION |
|----------|-------------|--|----------|-------------|---|
| 157610 | DRZ-100 | Frame Complete for Quick Grip Chuck | 157990 | DRZ-300 | Motor |
| 157620 | DRZ-101 | Rubber Feet, Bolts, & Lock Nuts | 158000 | DRZ-301 | Motor Nuts, Lock Washers, and Spacers |
| 157640 | DRZ-103 | Rubber Leg Tip | 158010 | DRZ-500 | Complete Motor Guard Assembly |
| 157650 | DRZ-104 | Flanged Bushings | 158020 | DRZ-501 | Motor Guard Only |
| 157660 | DRZ-105 | Motor Ground Screw & Nut | 158030 | DRZ-502 | Wiring Harness |
| 157730 | DRZ-152 | Thrust Washer | 158040 | DRZ-502-A | Power Switch Diaphragm |
| 157740 | DRZ-153 | 4.5" Pulley | 158050 | DRZ-502-B | Foot Pedal w/Hose |
| 157750 | DRZ-154 | V-Belt | 158060 | DRZ-502-C | Fuse Holder w/Fuse |
| 157760 | DRZ-155 | Motor Mount Bracket | 158070 | DRZ-502-D | Fuse |
| 157770 | DRZ-155-A | Motor Mount Bracket Screws | 158090 | DRZ-502-E | Rectifier |
| 157780 | DRZ-156 | Acorn Nuts and Washers | 158100 | DRZ-502-F | Rectifier Nut, Screw, & Washer |
| 157800 | DRZ-200-P | Plastic Drum Assembly w/Quick Grip Chuck | 158110 | DRZ-502-G | 10' Power Cord w/GFCI |
| 157830 | DRZ-201-P | Plastic Drum Front | 158120 | DRZ-502-H | Switch |
| 157840 | DRZ-201-P-A | Screws for Plastic Drum | 158130 | DRZ-502-J | Switch Guard |
| 157860 | DRZ-202-P | Plastic Drum Rear | 132210 | DRZ-DECAL | Set of Safety Decals |
| 157690 | DRZ-206-P | Drum Shaft for Plastic Drum & Open Drum Cage | 130010 | HECS | Handyelectric Cutter Set |
| 157980 | DRZ-208 | Fender Washer | 120020 | 50HE1 | Flexicore Cable, 1/4" x 50 ft. with EL Basin Head |
| 157895 | DRZ-209 | Quick Grip Chuck Grippers (3) | 120100 | 50HE1-A-DH | Flexicore Cable, 5/16" x 50 ft. with Down Head |
| 157910 | DRZ-210 | Quick Grip Chuck Knob | 120130 | 50HE1-AC | Flexicore Cable, 5/16" x 50 ft. with Female Connector |
| 157920 | DRZ-211 | Quick Grip Chuck Retaining Ring | 120170 | 35HE2 | Flexicore Cable, 3/8" x 35 ft. with Female Connector |
| 157940 | DRZ-250-O | Open Drum Cage Assembly for Quick Grip Chuck | | | |
| 157960 | DRZ-251 | Open Drum Cage Only for Quick Grip Chuck | | | |
| 157870 | DRZ-203 | Drum Hub | | | |
| 157890 | DRZ-205 | Screws and Nuts for Hub | | | |

MODEL DRZ SCHEMATIC DIAGRAM



IMPORTANT: When ordering, give Serial Number of Machine.