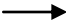




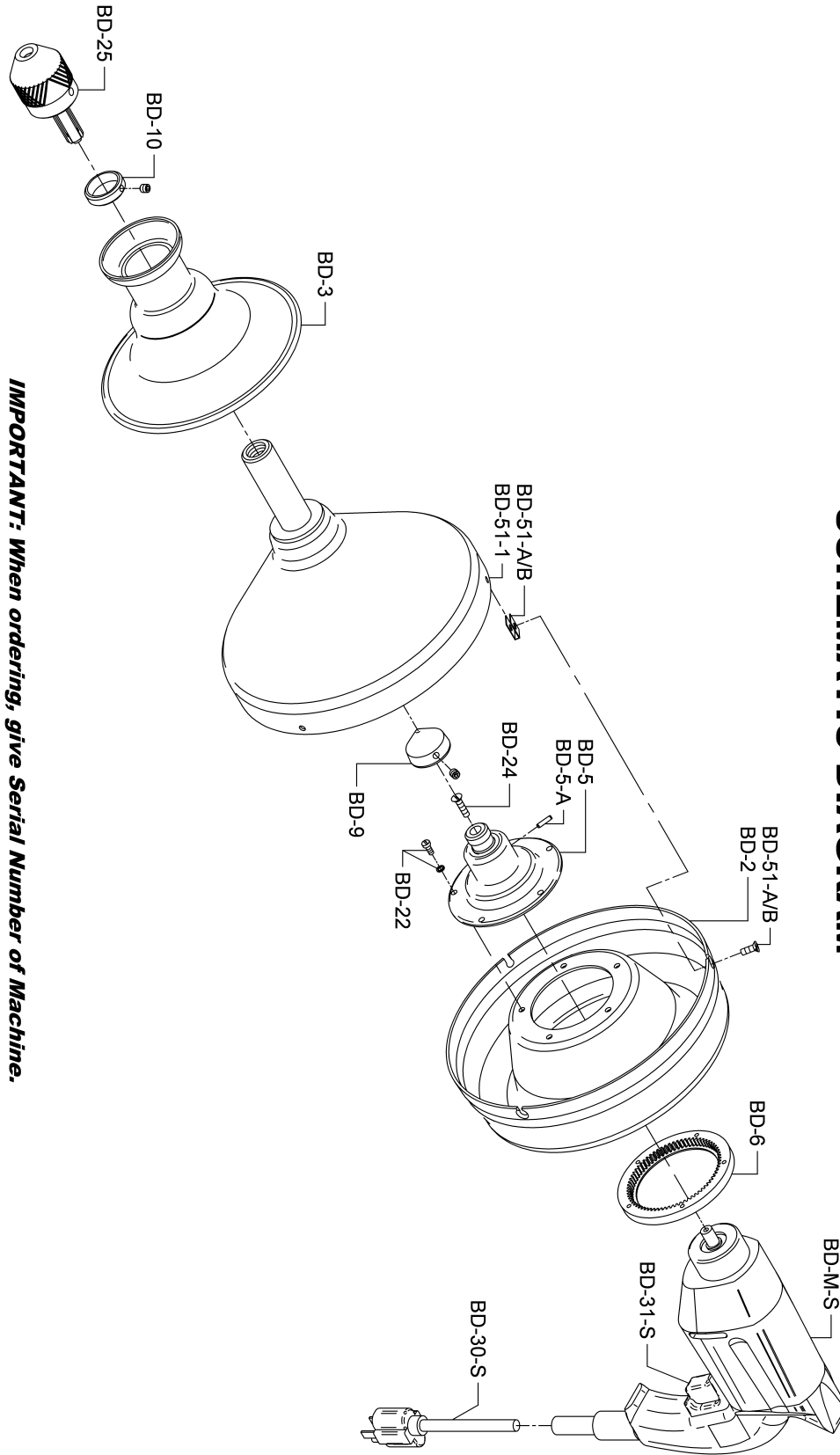


BD DRAIN GUN PARTS LIST

CAT. NO.	DESCRIPTION	CAT. NO.	DESCRIPTION
BD-M-S	Variable Speed Skil Motor	BD-9	Beveled Collar w/2 Set Screws
BD-51-1	Container Front Assembly	BD-10	Spindle Sleeve (Includes SV-10-A)
BD-51-A/B	Set of 3 "U" Nuts and Flat Head Screws	BD-22	Machine Screws and Lock Washers (5)
BD-2	Container Back	BD-24	Reverse Thread Bolt
BD-3	Grip Shield	BD-25	Collet Chuck
BD-5	Gear Case Cap w/Shaft	BD-30-S	Cord Set for Skil Motor
BD-5-A	Roll Pin	BD-31-S	Trigger Switch Assembly for Skil Motor
BD-6	Internal Ring Gear	BD-DECAL	Set of Safety Decals

Symbol	Name	Symbol	Name
V	Volts		Action direction or arrow
A	Amperes		Alternating current
Hz	Hertz		Designates double insulated
n _o	No load speed		Designates this tool is listed by Underwriters Laboratories
.../min	Revolutions per minute		Designates this tool is listed by Canadian Standards Association

BD DRAIN GUN SCHEMATIC DIAGRAM



IMPORTANT: When ordering, give Serial Number of Machine.

General Wire Spring Co,
1101 Thompson Avenue
McKees Rocks, PA 15136

412-771-6300

www.drainbrain.com