

# **Sewerooter Junior™**

## ***Operating Instructions***

**For 2" through 4" lines  
(50mm – 100mm)**



**Y**our Sewerooter Junior is designed to give you years of trouble-free, profitable service. However, no machine is better than its operator. We therefore suggest you read these directions through carefully before using your machine on a job. This will enable you to operate the Sewerooter Junior more efficiently and more profitably. Failure to follow these instructions may cause personal injury to operator or damage to equipment.

**SAVE THESE INSTRUCTIONS!**

***General***  
***PIPE CLEANERS***

# Safety Instructions



## WARNING



Electric shock resulting in death can occur if you plug this machine into an improperly wired outlet. If the ground wire is electrified, you can be electrocuted by just touching the machine, even when the power switch is off. A ground fault circuit interrupter will not protect you in this situation. Use a UL approved tester to determine if the outlet is safe.



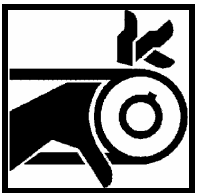
Do not operate power tools in explosive atmospheres, such as in the presence of flammable liquids, gases, or dust.



Wear only leather gloves. Never use any other type of glove, such as cloth, rubber, or coated gloves. Never grasp a rotating cable with a rag. These items could become wrapped around the cable and cause serious injury.



Use safety equipment. Always wear safety glasses and rubber soled, non-slip shoes.



Never operate machine with belt guard removed. Fingers can get caught between belt and pulley.



Do not overstress cables. Overstressing cables may cause twisting, kinking, or breaking of the cable and may result in serious injury.

Failure to follow all instructions listed below may result in electric shock, fire and/or serious personal injury.

Call General's customer service department at 412-771-6300 if you have any questions.

## SAVE THESE INSTRUCTIONS!

### Work Area Safety

1. **Keep your work area clean and well lit.** Cluttered benches and dark areas invite accidents.
2. **Do not operate power tools in explosive atmospheres, such as in the presence of flammable liquids, gases, or dust.** Power tools create sparks which may ignite the dust or fumes.
3. **Keep bystanders, children, and visitors away while operating a power tool.** Distractions can cause you to lose control.

### Electrical Safety

1. **Grounded tools must be plugged into an outlet, properly installed and grounded in accordance with all codes and ordinances. Never remove the grounding prong or modify the plug in any way. Do not use any adapter plugs. Check with UL approved tester or a qualified electrician if you are in doubt as to whether the outlet is properly grounded.** If the tool should electrically malfunction or break down, grounding provides a low resistance path to carry electricity away from the user.
2. **Machine must have a properly functioning ground fault circuit interrupter on the power cord. Before using, test the Ground Fault Circuit Interrupter (GFCI) provided with the power cord to insure it is operating correctly.** GFCI reduces the risk of electric shock.
3. **Avoid body contact with grounded surfaces such as pipes, radiators, ranges and refrigerators.** There is an increased risk of electric shock if your body is grounded.
4. **Don't expose power tools to rain or wet conditions.** Water entering a power tool will increase the risk of electric shock.

**READ AND UNDERSTAND  
ALL INSTRUCTIONS!**

5. **Do not abuse the cord. Never use the cord to carry the tools or pull the plug from an outlet. Keep cord away from heat, oil, sharp edges or moving parts. Replace damaged cords immediately.** Damaged cords increase the risk of electric shock.
6. **When operating a power tool outside, use an outdoor extension cord marked “W-A” or “W”.** These cords are rated for outdoor use and reduce the risk of electric shock.
7. **Use only three-wire extension cords which have three-prong grounding plugs and three-pole receptacles which accept the tool’s plug.** Use of other extension cords will not ground the tool and increase the risk of electric shock.
8. **Use proper extension cords.** Insufficient conductor size will cause excessive voltage drop and loss of power.
9. **Extension cords are not recommended unless they are plugged into a Ground Fault Circuit Interrupter (GFCI) found in circuit boxes or outlet receptacles.** The GFCI on the machine power cord will not prevent electric shock from the extension cords.
10. **Keep all electric connections dry and off the ground. Do not touch plugs or tools with wet hands.** Reduces the risk of electric shock.

## Personal Safety

1. **Stay alert, watch what you are doing and use common sense when operating a power tool. Do not use tool while tired or under the influence of drugs, alcohol, or medication.** A moment of inattention while operating power tools may result in serious personal injury.
2. **Dress properly. Do not wear loose clothing or jewelry. Contain long hair. Keep your hair, clothing, and gloves away from moving parts.** Loose clothes, jewelry, or long hair can be caught in moving parts.
3. **Avoid accidental starting. Be sure switch is off before plugging in.** Plugging in tools that have the switch on invites accidents.
4. **Do not overreach. Keep proper footing and balance at all times.** Proper footing and balance enables better control of the tool in unexpected situations.

5. **Use safety equipment. Always wear eye protection.** Dust mask, non-skid safety shoes, hard hat, or hearing protection must be used for appropriate conditions.

## Tool Use and Care

1. **Do not force tool. Use the correct tool for your application.** The correct tool will do the job better and safer at the rate for which it is designed.
2. **Do not use tool if switch does not turn it on or off.** Any tool that cannot be controlled with the switch is dangerous and must be repaired.
3. **Disconnect the plug from the power source before making any adjustments, changing accessories, or storing the tool.** Such preventative safety measures reduce the risk of starting the tool accidentally.
4. **Store idle tools out of reach of children and other untrained persons.** Tools are dangerous in the hands of untrained users.
5. **Maintain tools with care. Keep cutting tools sharp and clean.** Properly maintained tools, with sharp cutting edges are less likely to bind and are easier to control.
6. **Check for misalignment or binding of moving parts, breakage of parts, and any other condition that may affect the tool’s operation. If damaged, have the tool serviced before using.** Many accidents are caused by poorly maintained tools.
7. **Use only accessories that are recommended by the manufacturer for your model.** Accessories that may be suitable for one tool may become hazardous when used on another tool.
8. **Keep handles dry and clean; free from oil and grease.** Allows for better control of the tool.

**Tool Service**

1. **Tool service must be performed only by qualified repair personnel.** Service or maintenance performed by unqualified repair personnel could result in injury.
2. **When servicing a tool, use only identical replacement parts. Follow instructions in the Maintenance section of this manual.** Use of unauthorized parts or failure to follow Maintenance Instructions may create a risk of electric shock or injury.

**Specific Safety Information**

1. **Wear only leather gloves. Never use any other type of glove, such as cloth, rubber, or coated gloves.** Never grasp a rotating cable with a rag. These items could become wrapped around the cable and cause serious injury.
2. **Never operate machine with belt guard removed.** Fingers can get caught between belt and pulley.
3. **Do not overstress cables. Keep leather-gloved hand on the cable for control when machine is running.** Overstressing cables because of an obstruction may cause twisting, kinking, or breaking of the cable and may result in serious injury.
4. **Position machine within two feet of drain opening.** Greater distances can result in cable twisting or kinking.
5. **Machine is designed for one-person operation.** Operator must control foot switch and cable.
6. **Do not operate machine in reverse (REV).** Operating machine in reverse can result in cable damage and is used only to back cutting tool out of an obstruction.
7. **Keep hands away from rotating drum and distributor tube. Do not reach into drum unless machine is unplugged.** Hand may be caught in the moving parts resulting in serious injury.
8. **Be careful when cleaning drains where cleaning chemicals have been used. Avoid direct contact with skin and eyes.** Drain cleaning chemicals can cause serious burns as well as damage the cable.
9. **Do not operate machine if operator or machine is standing in water.** Will increase risk of electrical shock.
10. **Wear safety glasses and rubber soled, non-slip shoes.** Use of this safety equipment may prevent serious injury.

11. **The motor is equipped with an automatic reset thermal protector to guard against overheating. It will reset without warning when it cools sufficiently.** Do not use the machine until the motor has cooled sufficiently to reset.
12. **Before starting each job, check that the cable in the drum is not broken or kinked, by pulling the cable out and checking for wear or breakage.** Always replace worn out (kinked or broken) cables with genuine GENERAL replacement cables.
13. **Only use this tool in the application for which it was designed. Follow the instructions on the proper use of the machine.** Other uses or modifying the drain cleaner for other applications may increase risk of injury.

**Ground Fault Circuit Interrupter (GFCI)**

Your machine is equipped with a ground fault circuit interrupter, which protects you against shock if a short circuit should occur. Check that receptacle is properly grounded. Test the GFCI before each use.

1. Plug into 120-volt receptacle.
2. Push test button. Indicator light will go out and power to machine should cut off.
3. If light does not go out when test button is pushed, equipment should not be used until proper repairs can be made.
4. To restore power after test, push reset button. With the reset button depressed, if the machine doesn't start, stops while running, or if the operator experiences a mild shock, **do not use the machine!** Take it to a motor repair center or return it to the factory for repairs.





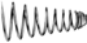


**Note:** The section of cord between the wall plug and the GFCI is not in the protected circuit.

**Cable Applications (Table 1)**

Cable Size	Pipe Size	Typical Applications
1/2"	3" to 4"	Roof Stacks & Small Floor Drains (No Roots)
3/8"	2" to 3"	Roof Stacks, Laundry Lines & Small Drains

**Cutter Applications (Table 2)**

Cutter	Cat. #	Typical Applications
Arrow Head 	AH	Starting Tool – ideal for cutting and scraping.
1-1/2" U-Cutter 	1-1/2UC	Starting Tool – works well in grease stoppages.
2", 3" & 4" Side Cutter Blades 	2SCB 3SCB 4SCB	Finishing Tool – for scraping inside edges of pipe.
3" Rotary Saw Blade 	3RSB	Finishing Tool – for cutting and scraping.
Small Retrieving Tool 	RTR-1	For removing loose objects or broken cables.

Note: There are no fixed rules for what cutter to use. If one tool doesn't take care of a stoppage, simply try another.

**Operating Instructions**

**Set-up**

**⚠ MAKE SURE MOTOR SWITCH IS IN THE 'OFF' POSITION!**

1. Place machine within approximately two feet of drain opening. If you can't get the machine this close to the drain opening, run the cable through a metal guide tube to prevent cable whipping. On manual feed machines, always keep a gloved hand on the cable.
2. Position the air foot pedal for easy accessibility. The machine is designed for one-person operation. Be sure you can quickly remove your foot from the pedal in an emergency.
3. Be sure the motor switch is in the **OFF** position.
4. Select the proper cutting tool (See Cutter Application Chart—Table 2). A good tool to start with is the Arrow Head or 1-1/2" U-Cutter. After the line has been opened, follow with larger blades, which scrape the inside edges of the pipe, assuring a real cleaning job.
5. Insert the cutter into the female connector at the end of the 3/8" or 1/2" cable and tighten the connecting screw **and** lock washer **firmly** in place.

**Operation**

1. Before stepping on foot pedal, pull cable from the drum and slide it into the drain as far as it will go.
2. Move the motor switch to the **FORWARD** position.
3. With both hands (wearing leather gloves) on the cable, depress the air foot pedal to start machine.
4. Guide the rotating cable into the line and against the obstruction with a firm, even pressure. Do not force the cable - let the cutter do the work. The job won't go any faster and you could damage the cable.

**DO NOT USE TOO MUCH FORCE – LET THE CUTTER DO THE WORK.**

5. Don't leave too much slack in the cable since this will cause whipping. If the cable starts to bend or build up too much twist, release pressure on the foot pedal and rotate the drum in the opposite direction to relieve the twist on the cable. Push any excess cable back into the drum and then continue.
6. If you're having trouble getting around tight bends, try putting the machine in reverse while applying steady pressure. Don't do this for more than a few seconds at a time since this could cause tangling in the drum or kinking.
7. If you still can't get around the bend, you're probably using too large a cable. Switch to a 3/8" diameter cable. (See Cable Application Chart—Table 1)
8. When the cable reaches the stoppage, put feed into neutral. Then allow the cable to progress forward slowly, chewing into stoppage as it goes. This slow forward movement will reduce stress on the cable while doing a more thorough cleaning job. A back and forth action often works best.

**Hint:** It's often helpful to have a small stream of water running in the line to wash the cuttings away while the machine is in operation and after.

9. Be careful not to let the cutter get caught in the stoppage as you work through it. This can cause kinking and breaking of the cable. When you feel the cable starting to twist in your hands, stop the machine and pull back. This will free the cutter from the obstruction. Then allow the cable to move forward slowly into the stoppage. Remember, no cutting takes place when the blades stop turning.
10. After the line has been opened, return the cable to the drum with the motor turning **FORWARD**. This is important to prevent tangling of the cable in the drum or in the line.

## ⚠ CAUTION

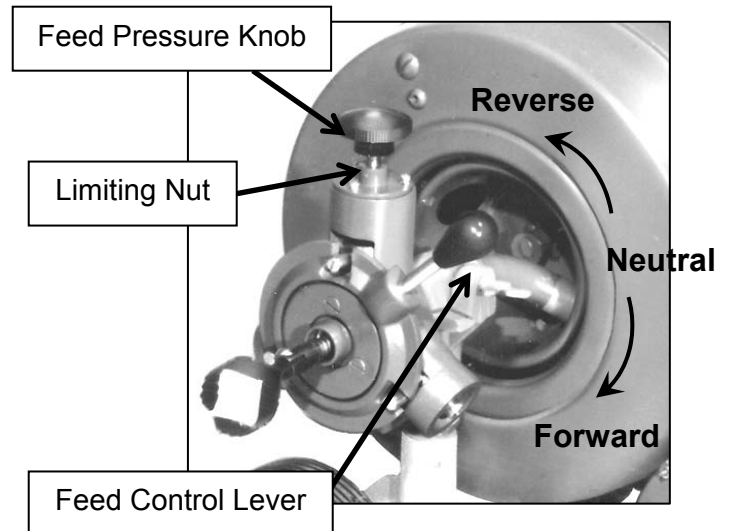
Do not use reverse to pull the cable out of the drain. Always run the machine in forward, whether you are feeding the cable into the line or pulling it out. Use reverse only to release the cable if it should become caught in the line.

11. When the cutting tool is near the drain opening, take your foot off the pedal to stop drum rotation. Never retract the cutting tool from drain while cable is rotating. The cable could whip and cause serious injury.

## Power Cable Feed

### OPERATION

1. The feed lever controls the feeding rate and direction of the cable. Move lever down to feed cable out of drum. The further the lever is moved downward, the faster the cable will feed out. Move lever up to retract cable into drum. When the lever is in the middle (neutral) position, cable will spin in place.
2. Tighten feed pressure knob at top of unit so that the feed roller presses against the cable. Be sure not to over tighten since this could cause excess cable wear.
3. Place cable end and cutter in drain opening. Feed cable slowly forward. Adjust the feeding speed to the resistance is met.
4. Don't feed faster than the cable is going into the drain since too much slack between the machine and the drain will cause the cable to whip and kink.



## DO NOT USE TOO MUCH FORCE – LET THE CUTTER DO THE WORK.

5. When the cable reaches the stoppage, put the feed into neutral. Then allow the cable to progress forward slowly, chewing into stoppage as it goes. This slow forward movement will reduce stress on the cable while doing a more thorough cleaning job. A back and forth action often works best.
6. If using more than one section of cable, watch for the connector at the end of the cable as it comes out of the drum because it will not pass through the feed rollers. Loosen the pressure knob and the feed roller will lift out of the way. Pull the connector through the feed. Then, tighten the pressure knob again and continue feeding.
7. For maximum pulling power (not recommended unless the Feed is slipping when coming out of the line), you can remove the nut under the pressure knob. Retract only at a slow speed in this mode. After the cable is pulling out easily, replace the nut.

## Special Operations

### IF CABLE GETS CAUGHT IN LINE

The motor can be reversed to free the cable if it gets caught in line. (Note: if using Power Cable Feed, putting motor in reverse will cause the feed control lever to operate opposite of normal.) Use the following procedure:

1. Tighten set screw in distributor tube collar firmly against cable (see Diagram 1).
2. Move toggle switch on motor to **REVERSE** position.
3. Step on foot pedal while pulling on cable.

## ⚠ CAUTION

Running the machine in reverse for more than a few seconds at a time can cause the cable to tangle in the drum.

4. After cable is loose, loosen the set screw on the distributor tube.

Diagram 1

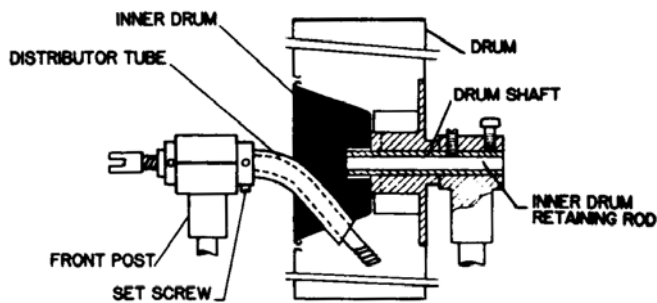
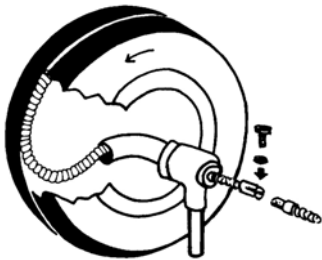


Diagram 2



## IF CABLE TANGLES IN DRUM

**⚠ DISCONNECT MACHINE FROM POWER SOURCE BEFORE UNTANGLING CABLES!**

This is caused by using too much pressure when feeding the cable or feeding the cable into the line while running the machine in reverse. To untangle the cable, rotate the drum in opposite direction. This will usually get the cable to lie in the drum properly. If cable has become badly tangled, which won't happen when machine is used properly, you'll have to remove the distributor tube and possibly the inner drum from the machine. Here's how:

1. Turn drum until distributor tube is pointing down into drum (see Diagram 2).

2. While holding tube firmly, loosen thumbscrew on front post cap.
3. Swing hinged cap out of the way and lift out tube. This should free the cable. If not, continue on to Step 4.
4. Loosen slot head screw in back post located directly behind drum. This loosens inner drum retaining rod that holds inner drum guard in place.
5. Reach into center of drum and pull out rod. Then pull inner drum guard forward, exposing cable.
6. After cable has been untangled, reverse above procedure and reload cable into the drum.

## HOW TO INSTALL 1/2" AND 3/8" CABLES IN DRUM

Because there is a short piece of cable permanently connected to the drum, it's a simple matter to load cables into the Sewerooter Junior.

**⚠ DISCONNECT MACHINE FROM POWER SOURCE BEFORE INSTALLING CABLES!**

1. Attach the male connector of the drain cleaning cable to the female connector of the drum connecting cable, being sure to tighten firmly.
2. Remove the V-Belt and push cable into the drum. As you load, turn the drum so that the distributor tube is always pointed in the same direction. This enables the cable to lie more evenly in the drum.
3. Be sure that cable is going into drum in proper direction.
4. To check: Position distributor tube so it's pointing straight down. Cable should be bending to the left as it comes out of the back of distributor tube.



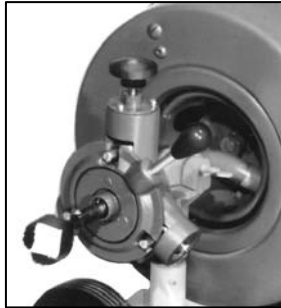
**Note:** The cable should lay in the drum in a clockwise direction.



**HOW TO INSTALL POWER CABLE FEED**

 **DISCONNECT MACHINE FROM POWER SOURCE BEFORE INSTALLING POWER CABLE FEED!**

Loosen the Feed pressure knob at top of unit to allow cable connector to pass through Feed rollers. Remove cutter from female connector and pull about one foot of cable from machine. Slide Feed over cable and onto stud located on front post of machine so that bolt in Feed body lines up with flat spot on stud. Tighten knob firmly against this flat spot.




A Feed gives you a “power assist” in feeding cables or pulling them out of the line. When feeding, do not use too much force – let the cutter do the work.

Keep the Feed clean. If excessive dirt collects on the rollers, it may cause binding.

**Maintenance**

To keep your machine operating smoothly, it is essential that all bearings and distributor tube bushings be lubricated. Oiling moving parts is particularly important where machine comes in contact with sand, grit and other abrasive material.

 **DISCONNECT MACHINE FROM POWER SOURCE BEFORE PERFORMING MAINTENANCE ON MACHINE!**

**CABLE MAINTENANCE**

To get maximum service from your cables, be sure that they are clean and well oiled. This not only provides running lubrication but greatly extends the life of the cables as well. Some users periodically pour oil directly into the drum.



Then, as the drum turns, the cables get complete lubrication. Our SNAKE OIL is ideally suited for this purpose, since it not only lubricates the cables, it deodorizes them as well.

**FEED MAINTENANCE**

Keep feed free of excessive soil and grit. It is recommended that the feed be flushed with fresh water followed by a light oiling of the moving parts. No disassembly is normally required. Failure to feed can usually be traced to the following possibilities:

**DIRT ACCUMULATION:** Over time, dirt can harden enough to stop roller rotation. Flushing with water followed by liberal oiling can usually restore function. If disassembly is required, proceed as follows:

1. Remove the feed tension knob, springs and spring plunger. Note the positioning of these parts to ease re-assembly. The top roller can now be removed.
2. Remove the snap rings and thrust washers from the bottom housing cylinders. The bottom rollers can now be removed.
3. Re-assembly is done in reverse order.

**DAMAGED ROLLER:** Excessive use may wear a roller to the point of failure. It is recommended that all three rollers be replaced at the same time (Cat # PO-JR-703).

**TANGLED CABLE:** If a cable loops over itself in the drum, it will not feed properly. Remove and reload the cable by hand to restore function. If the cable kinks, it is evidence of abuse and results from the use of too much pressure or use of the wrong size cable for the line. Do not force the cable — Let the cutter do the work.



**TROUBLE SHOOTING GUIDE (Table 3)**

<b>Problem</b>	<b>Probable Cause</b>	<b>Solution</b>
Cable kinks or breaks	Operator forcing the cable.	Do not force the cable. Let the cutter do the work.
	Too much slack between machine and drain.	Allow no more than two feet between machine and drain.
	Cable used in wrong size drain line.	A cable that is too large or too small in diameter for a line is more likely to kink. (Consult Table 1—Cable Applications.)
	Cable exposed to acid	Clean and oil cables regularly.
Cable tangles in drum	Operator forcing the cable.	Do not force the cable. Let the cutter do the work.
	Machine running in reverse.	Do not run the machine in reverse to retract the cable from the drain.
	Distributor tube frozen.	Lubricate distributor tube bushings.
Drum stops while foot pedal depressed.	Hole in pedal or hose.	Replace as required.
	Hole in diaphragm switch.	If no hole found in pedal or hose, replace diaphragm switch.
Drum turns in one direction but not other.	Reverse switch failure.	Replace reverse switch.
Ground fault circuit interrupter trips and will not reset.	Damaged power cord or extension cord.	Replace cords.
	Short circuit in motor.	Take motor to authorized repair center.
	Faulty Ground Fault Circuit Interrupter.	Replace Ground Fault Circuit Interrupter.
Failure to feed	Cable tangled in drum.	Do not run machine in reverse. Use proper cable size. (Consult Cable Application Chart—Table 1).
	Feed misadjusted.	If feed tension knob is too loose the cable will slip. If it is too tight the feed rollers will wear prematurely.
	Feed roller frozen.	Clean and lubricate feed rollers regularly. Replace worn rollers.
	Worn cable.	When cable coils wear flat, cable should be replaced.

**Sewerooter Junior Parts List**

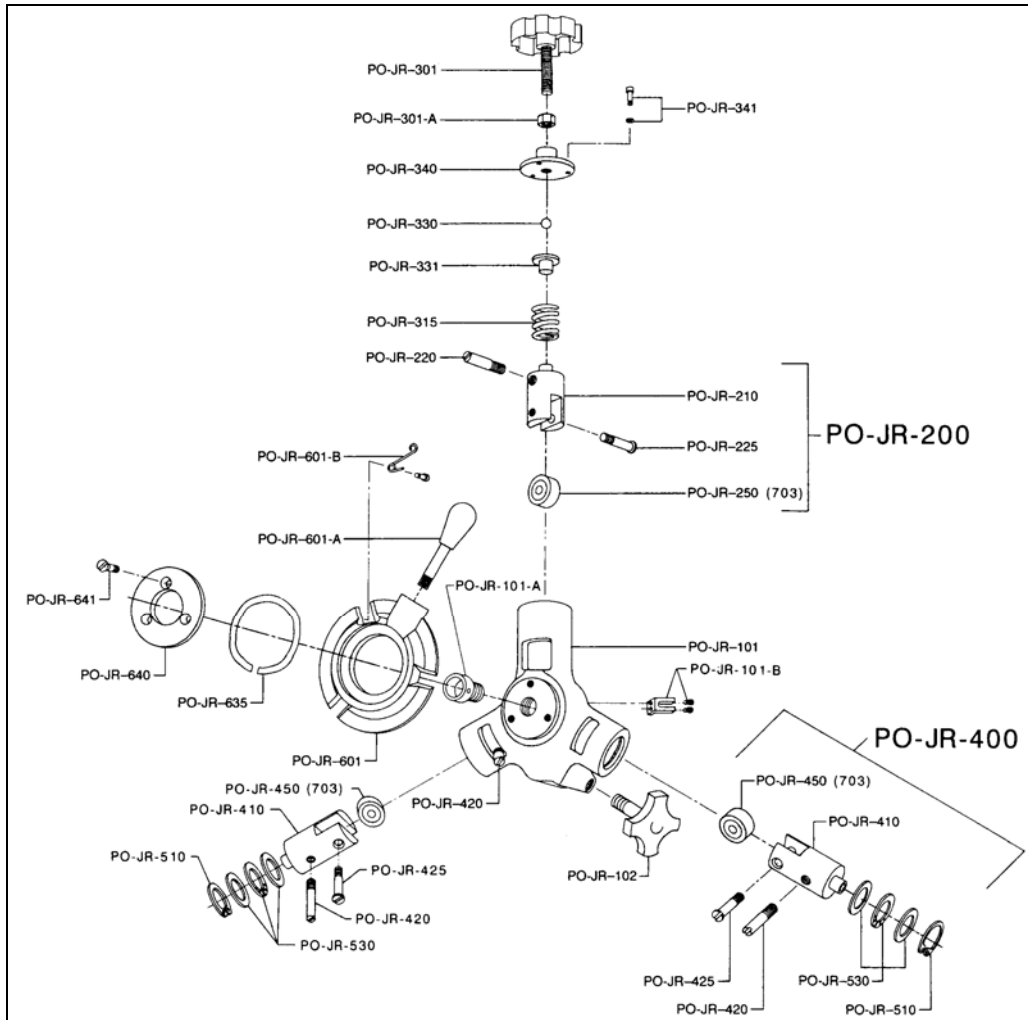
<b>CAT. NO.</b>	<b>DESCRIPTION</b>	<b>CAT. NO.</b>	<b>DESCRIPTION</b>
JR-100	Complete Frame Assembly (Serial No. 3988 & Up)	JR-302	Drum Support Shaft (To Ser. #28942)
JR-101	Jr. Frame Only (Serial #3988 & Up)	JR-302-1	Drum Support Shaft <b>Discontinued</b> (See JR-302-2 for replacement)
JR-102	Junior Wheel (1)	* JR-302-2	Drum Support Shaft
JR-103	Axle Shaft	JR-303	Inner Drum Retaining Rod <b>Disc.</b> (See JR-302-2 for replacement)
JR-104	Extension Handle	JR-304-1	Drum Support Hex Bolt
JR-105	Extension Handle Grip	JR-305-1	Inner Drum Ret. Set Screw <b>Disc.</b>
JR-106-1	Handle Locking Pin	* JR-306	Inner Drum Retaining Knob
JR-106-1-A	Handle Locking Knob	JR-401-5	Drum Complete (Serial #28943 & Up)
JR-106-1-B	Handle Locking Spring	JR-404-2	Drum Hub
JR-106-1-C	Handle Locking Bolt	JR-404-1-A	Drum Hub Bearings
JR-107	Extension Handle Mounting Plate	JR-408-1	Cable Clamp (Serial #28943 & Up)
JR-108	Extension Handle Bolt	* JR-409	Inner Drum Cage
JR-109	Roll Pin (2)	* JR-410	Drum Connecting Cable
JR-110	3/8" Allen Set Screws (Set of 8)	JR-430	Inner Drum & Distributor Tube Assy.
JR-112	Elec. Cord Holder (Ser. #3988 & Up)	JR-500	Idler Arm Assembly Complete
JR-114	Belt Guard	JR-501	Idler Arm Only
JR-200-3	Comp. Distributor Tube Assembly (Serial #3988 to #28942)	JR-502	Idler Arm Bearing Shaft
JR-200-4	Comp. Distributor Tube Assembly (Serial #28943 & Up)	JR-503	Idler Arm V-Belt Pulley
JR-201-C	Front Post & Cap (Serial #3988 & Up)	JR-504	Idler Arm Tension Pin
JR-201-B-2	Distributor Cap Locking Knob	JR-505	Idler Arm Tension Pin Nut
JR-202-2	Dist. Tube & Rear Collar Assembly (Serial #4120 to 28942)	JR-506	Idler Arm Tension Spring
* JR-202-3	Dist. Tube & Rear Collar Assembly (Serial #28943 & Up)	JR-507	Idler Arm Tension Wing Nut
* JR-203	Front Collar	JR-508	Idler Arm Nut, Bolt & Washer
* JR-204	Rear Collar (Serial #28943 & Up)	JR-600-6	Motor – 1/3 hp – Complete w/Foot Switch, GFCI & Rev. Switch Assy.
JR-209-B	Rear Collar Locking Set Screw 3/8" (Serial #3988 to 28942)	JR-601	Motor V-Belt Pulley
JR-209-3	Rear Collar Locking Set Screw 1/8" (Serial #28943 & Up)	JR-601-C	Motor V-Belt (50") (Ser. #3988 & Up)
* JR-210	Distributor Tube Bushings (Set of 2)	JR-602	Motor Support Bolts (Set of 4)
SFJR	Spin-Feed Assembly Only (Serial #4131 & Up) <b>Discontinued</b>	JR-603	Motor Support Washers (Set of 4)
SFJR-1	Spin-Feed Base (Serial #4131 & Up)	JR-604	20 ft. Cord with Plug and GFCI
SFJR-2	Spin-Feed Gear (Serial #4131 & Up)	JR-610	Air Foot Switch & Rev. Switch Assy. (Serial #27903 & Up)
SFJR-3	Spin-Feed Pulley <b>Discontinued</b> (Use SFJR-3-2)	JR-610-A	Box with Cover Only
SFJR-3-2	Spin-Feed Pressure Arm	JR-610-B	Foot Pedal & Hose
SFJR-6	Complete Crank Handle	JR-610-C	Hose Clamps (2)
SFJR-7	Handle Locking Collar	JR-610-D	Foot Pedal Only
SFJR-8	Thumb Screw	JR-610-E	Power Switch Diaphragm
SFJR-9	Wing Nut	JR-610-F	Air Hose
SFJR-10-1	1/2" x 1-3/4" Hex Head Cap Screw with Lock Nut	JR-610-G	Reverse Switch Only – 3-Way
SFJR-11	5/16" x 3/8" Allen Set Screws (2)	JR-SS-1	Slide-On Snakentainer (Not Shown)
JR-300	Drum Post Assy. (Serial #3988 & Up)	JR-S1	Container Front with Spindle
JR-301	Drum Post Only (Serial #2988 & Up)	JR-S2	Container Back
		JR-S3	Collet Gripper
		JR-S4	Spindle
		JR-S5	Container Hub Casting
		JR-S6	Container Support Shaft
		GFI-JR	Ground Fault Circuit Interrupter
		JR-DECAL	Set of Safety Decals

\*Part included in JR-430

**Junior Power Feed Parts List**

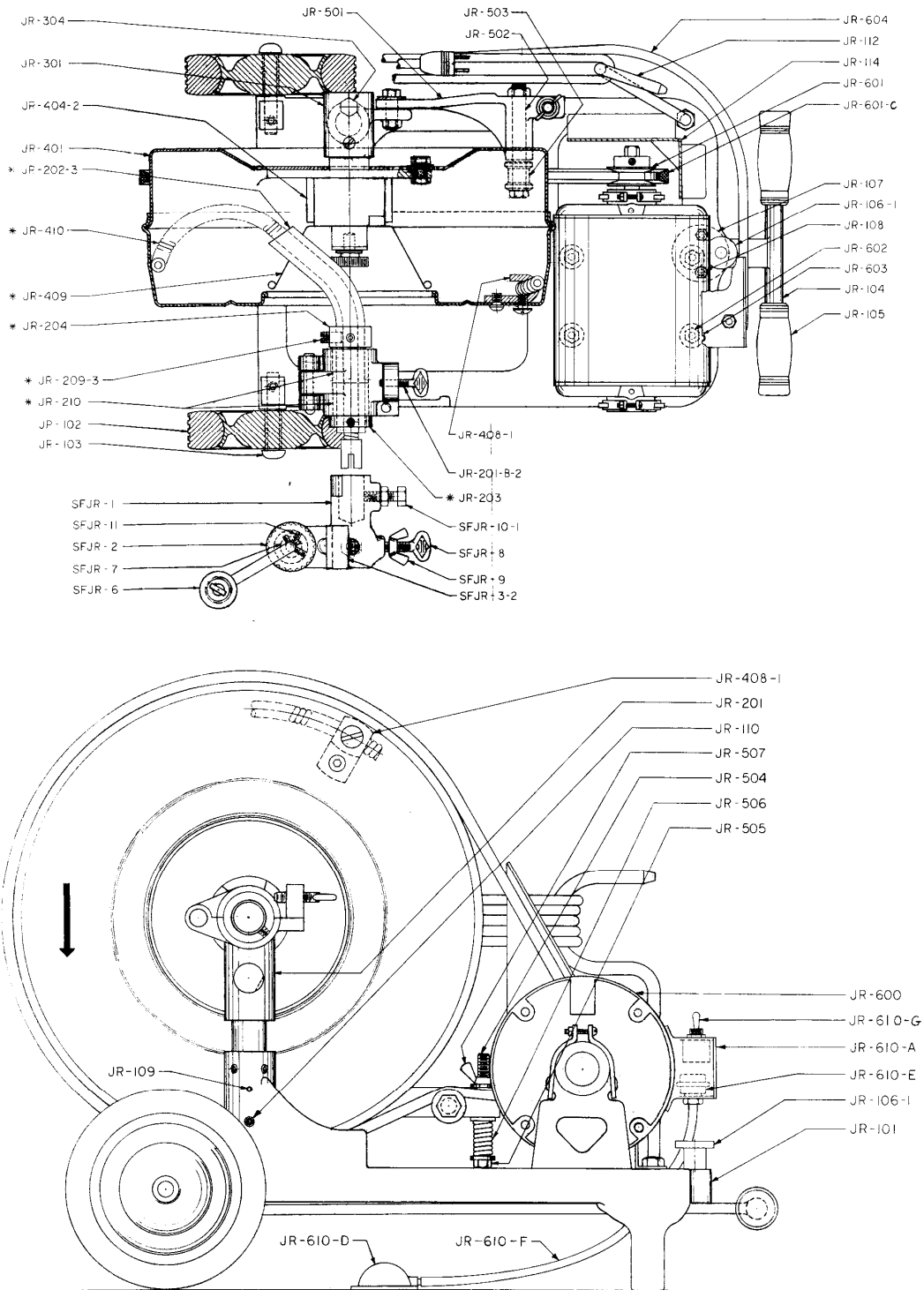
CAT. NO.	DESCRIPTION	CAT NO.	DESCRIPTION
PO-JR/GT	JR Power Feed & Guide Tube	PO-JR-400	Bottom Roller Assembly
PO-JR-101	Feed Body	PO-JR-410	Bottom Carrier Only
PO-JR-101A	Spout	PO-JR-420	Swing Pin
PO-JR-101B	Guide Clip	PO-JR-425	Bottom Roller Shaft
PO-JR-102	Knob	PO-JR-450	Bottom Roller with Bearing
PO-JR-200	Top Roller Assembly	PO-JR-510	Retaining Ring
PO-JR-210	Top Carrier Only	PO-JR-530	Thrust Bearing & Races
PO-JR-220	Swing Pin	PO-JR-601	Feed Control Disc w/Lever & Knob
PO-JR-225	Feed Roller Shaft	PO-JR-601A	Lever & Knob
PO-JR-250	Feed Roller with Bearing	PO-JR-601B	Lifting Spring & Screw
PO-JR-301	Feed Pressure Knob	PO-JR-635	Wave Washer
PO-JR-301A	Limiting Nut	PO-JR-640	Feed Control Retaining Cover
PO-JR-315	Pressure Spring	PO-JR-641	Retaining Cover Screws (3)
PO-JR-330	Ball Bearing	PO-JR-703	Set of Rollers (3)
PO-JR-331	Ball Bearing Holder	PO-JR DECAL	Set of Safety Decals
PO-JR-340	Top Cover	JR-GT	Guide Tube for JR
PO-JR 341	Cover Screws & Washers (3)		

**Junior Power Feed Schematic Diagram**



**IMPORTANT: When ordering, please give Serial Number of Machine**

# Sewerooter Junior Schematic Diagram



**IMPORTANT: When ordering, please give Serial Number of Machine**

**General Wire Spring Co.  
1101 Thompson Avenue  
McKees Rocks, PA 15136**